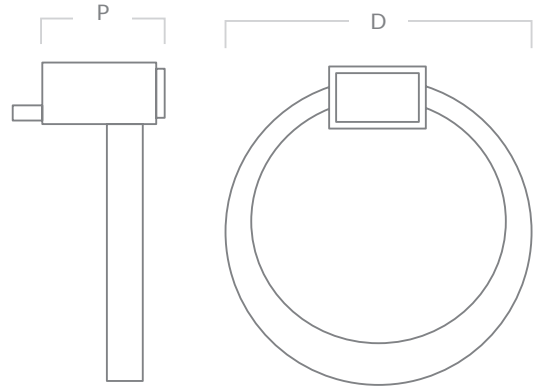


Oblique & Quadrille Ring Pull



Pull Code	Diameter (D)	Projection (P)
5079	50mm	19mm
5080	64mm	21mm
5081	82mm	25mm



Available in all Armac Martin finishes, & supplied with M4 breakoff screws.
Please see: www.armacmartin.co.uk/pages/our-finishes for further details.