

# AMMA 6036

60" x 36" x 21"

Amma takes its origin in the word "massage" as represented by two Chinese characters, AN and MO, meaning "calm through touch."



## PRODUCT NO.

MODEL	TMU	TUB
	BAMFRB00T-XX	BAMFRB00N-XX

THERMOMASSEUR (TMU) Hydro-thermo massage • Air jet system	\$7,455
Jets	45
1 heated backrest & headrest	Included
MiaPlus® Control	Included
BU-Touch Control Application <b>BUTOUCH</b>	\$430
Geysair®	Included
AromaCloud®** <b>BAROMAC</b>	\$490
AromaFlow*** <b>BAROMAF</b> <b>NEW</b>	\$950
Illuzio Chromatherapy <b>BCHRO6</b>	\$925

TUB Soaker	\$4,685
AromaCloud®** <b>BAROMAC</b>	\$490
AromaFlow*** <b>BAROMAF</b> <b>NEW</b>	\$950
Illuzio Chromatherapy <b>BCHRO6</b>	\$925
WarmTouchShell® <b>BWTS</b>	\$1,125
DOT control	Included with therapy

## FEATURES

Installation type		Drop-in & Alcove (3 walls)	
No. of bathers	5	Inverted V	1
US gallons	50	Armrests	2
Imp. gallons	41	Grab bars (color match)	2
Raised seat	1		

## STANDARD COLOR

		Included
White <b>01</b>	Biscuit <b>02</b>	

## OPTIONS (UPCHARGE APPLICABLE)

SKIRT	MULTIFIT <b>BSMUL-XX</b>	SJ-1 <b>BSJ1-XX</b>
White <b>01</b> , Biscuit <b>02</b>	\$600	\$715
CLEAR ACRYLIC GRAB BARS <b>BGBG10-XX</b>		
With Chrome <b>07</b> or Brushed Nickel <b>09</b> inserts		\$60
TILE FLANGE (specify right or left)		
Ordered with bath (not installed) <b>BTILEN</b>		\$79
Factory-installed. Right <b>BTILER</b> , Left <b>BTILEL</b> , Special installation <b>BTILEO</b>		\$155
WASTE & OVERFLOW	16" x 35" <b>BOVER16-XX</b>	INTE- GRATED <b>BOVERIN-XX</b>
Chrome <b>07</b>	\$260	\$235
White <b>01</b> , Biscuit <b>02</b>	\$290	\$235
Brushed Nickel <b>09</b> , Polished Nickel <b>10</b>	\$400	\$235
Oil-rubbed Bronze <b>11</b>	\$400	N/A
Matte Black <b>19</b> , Satin Brass <b>18</b>	N/A	\$355
IF REQUIRED BY CONSTRUCTION CODE		
Brass waste & overflow kit** <b>BDRCOB</b>		\$240
Brass waste kit** <b>BDRCB</b>		\$60
16" x 35" Cable driven brass waste & overflow kit <b>BOVERBR</b>		\$240



\* The AromaCloud® is built into the deck (factory installed).

\*\* When ordered with integrated waste & overflow.

\*\*\* When ordering an AromaFlow, an Integrated waste & overflow is mandatory (Upcharge). Specify the finish of the waste.



**AMMA 6036**



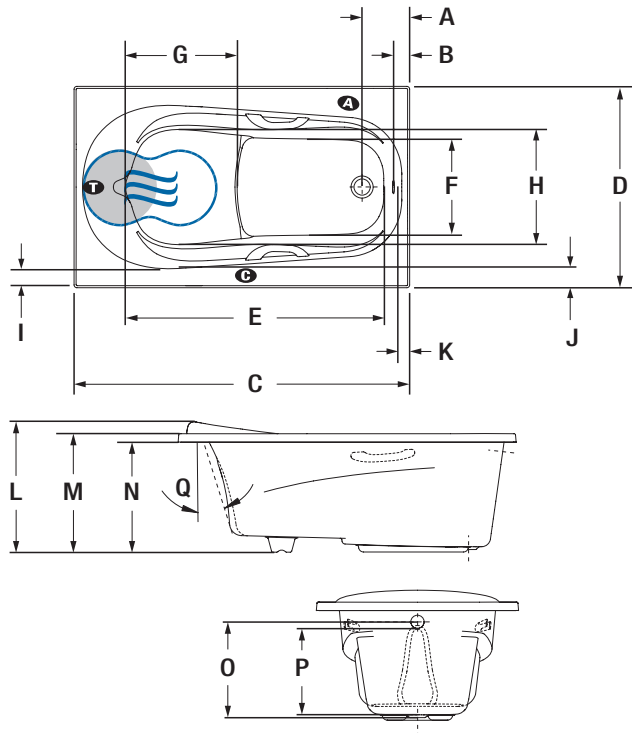
Grab bar (included)



Molded heated headrest

**INSTALLATION**

**A** When tile flange is added, the AromaCloud® will automatically be installed on the opposite side of the flange.



LETTER	DESCRIPTION	MEASURE
A	Outside edge to center drain	8 1/2"
B	Outside edge to overflow	2 1/2"
C	Total length	60"
D	Total width	36"
E	Bathing well length	46"
F	Bathing well width at center zone	17 1/8"
G	Raised seat length	20"
H	Raised seat width	20 5/8"
I	Deck width (narrowest point)	3 1/8"
J	Deck width (widest point)	4 1/8"
K	Deck width at drain end	2"
L	Total height to headrest	23 1/4"
M	Height from bottom of bath to top deck	21"
N	Height from bottom of bath to bottom of deck	19 1/2"
O	Height from bottom of drain to center of overflow	17 1/8"
P	Maximum water level (Waste & overflow 16" x 35") Maximum water level (Integrated waste & overflow) Maximum water level with AromaFlow	15 3/8" 16 3/8" 15 1/8"
Q	Slope of backrest	18°

- A** AromaCloud® position
- B** Control position when factory-installed (Mia® or DOT)
- T** Turbine position (TMU)
- Indicates heated backrest (TMU)
- ☄ Indicates WarmTouchShell® position (TUB)

**TECHNICAL SPECIFICATIONS**

<b>Hot water supply required</b>	The hot water supply should be 70% or more of the bath's total water capacity.
<b>Turbine</b>	Access to the pump must be at least 18" x 22". <b>Standard connection is 20 A, 120 V, 60 Hz</b> , dedicated line with a Ground-Fault Circuit Interrupter (GFCI). <b>For any additional option, a second line is needed 15 A, 120 V, 60 Hz</b> , dedicated line with a GFCI. Air vent necessary: 2" x 4" minimum.
<b>Others</b>	- The Geysair® is located on the same side as the heated backrest. It must <b>NOT be relocated</b> . It must be <b>connected to the hot water supply</b> and be accessible (provide access). - Optional tile flange (specify right or left). - The water level will be lower when an AromaFlow is installed.

Our products must be installed by certified professionals only and according to our Owner's Manual as well as federal, provincial/state and local building codes and regulations ([www.bainultra.com/dealers/dealer-documentation-and-catalog](http://www.bainultra.com/dealers/dealer-documentation-and-catalog)).

<b>Approx. shipping weight</b>	142 lb
<b>Turbine power</b>	550 W
<b>Air heater</b>	600 W
<b>WARRANTY</b>	
Controls-LED-Geysair*	5 years
Bath & turbine*	20 years

\* Some restrictions apply | [www.bainultra.com/warranty](http://www.bainultra.com/warranty)

The specifications shown indicate the outer edge dimension and the inside bathing capacity dimension measured at air jets' height. The manufacturer accepts a 1/4" [0.64 cm] variance. There are variations on each product and specifications are subject to change as we improve upon our product as required. The dimensions needed for site preparation and structure building will differ. BainUltra® assumes no responsibility for preparatory work done prior to the product being on site.