

## Roman Tub Installation Instructions

**CALIFORNIA FAUCETS RECOMMENDS THAT ALL PLUMBING PRODUCTS BE INSTALLED BY A LICENSED PROFESSIONAL**

**IMPORTANT: Read all instructions prior to installation and provide copy of instructions to consumer.**

**Operating Specifications:**

Recommended Supply Pressure: 20 to 70 psi †

Maximum Flow Rate: 1.2 gpm

\* Operating pressures between hot and cold supplies should vary no more than 30 psi.

† If water pressure exceeds 70 psi, install a Pressure-Reducing Valve (PRV).

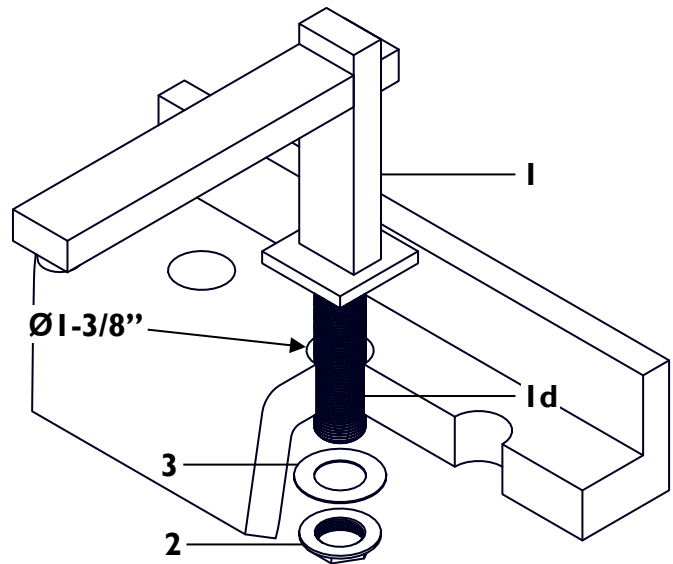
### 1 INSTALLING SPOUT

- Remove BRASS NUT (2), and WASHER (3) from SPOUT (1)
- Insert spout SHANK (1a) through hole in deck

**NOTE:** Tub / Deck recommended hole size is  $\varnothing 1-3/8"$

- Place WASHER (3), and BRASS NUT (2) onto spout SHANK (1a) from below and secure to tub/deck

**NOTE FOR 7808R:** Use cup spacer if needed



### 2 INSTALLING VALVES

- From underneath insert VALVE (5) through appropriate tub/deck hole

**IMPORTANT:** VALVES (5) are labeled as follows:

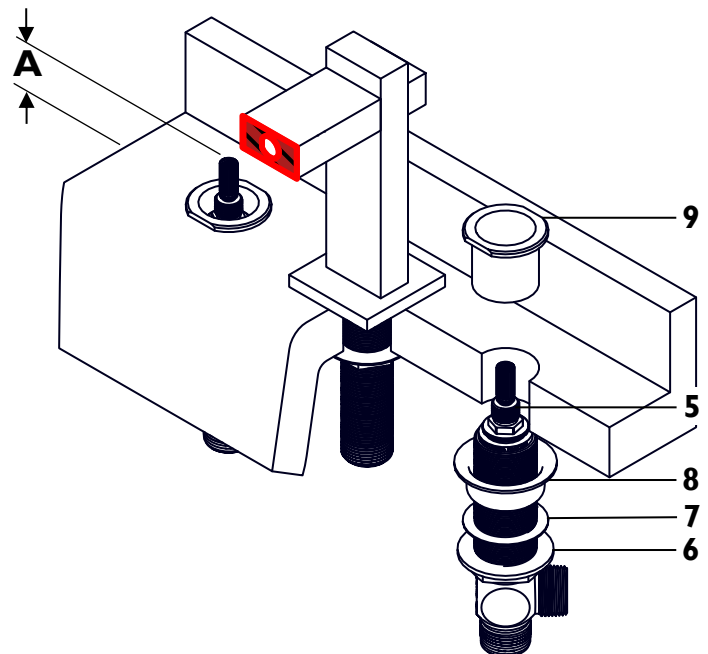
**BLUE** is **COLD** left turning (counterclockwise) closed

**RED** is **HOT** right-turning (clockwise) closed

- Position flange NUT (6), WASHER (7), and CUP SPACER (8) (if necessary) so that VALVE (5) extends above tub/deck surface according to table

Series	A
72	1"
77R	1-1/8"
78R	1-1/8"

- Secure VALVE (5) with INVERTED NUT (9)



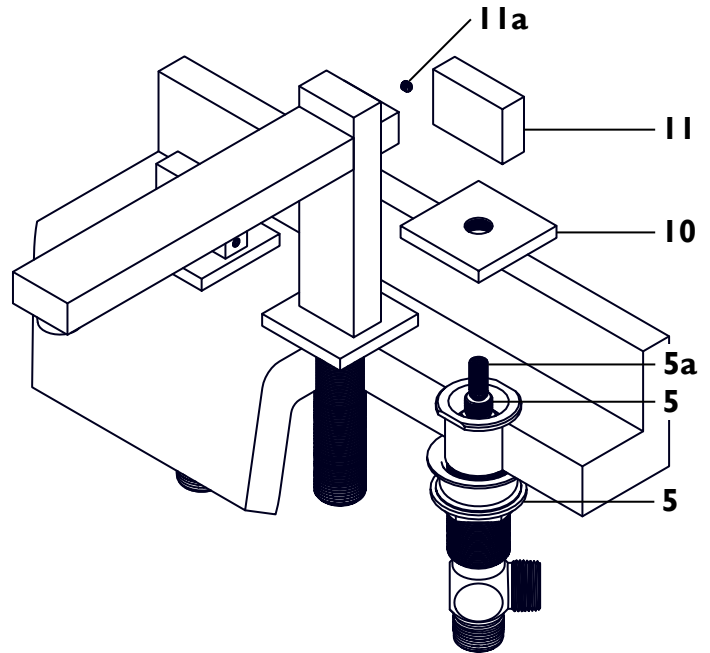
### 3 INSTALLING HANDLE

- Place handle BASE (10) onto VALVE (5)

**NOTE:** Use a ruler or straight edge to align square spout and handle bases

- Loosen SETSCREW (11a) from HANDLE (11)
- Slide HANDLE (11) down onto and engage valve STEM (5a)
- Secure HANDLE (11) with SETSCREW (11a)

**IMPORTANT:** To obtain proper alignment it may be necessary to rotate VALVE (5) so that HANDLE (11) is aligned to desired orientation. Flange NUT (6) must be loosened before rotating VALVE (5)



### 4 INSTALLING SUPPLY LINES

- Must use rigid copper piping (not flex) for all connections between spout and valves
- California Faucets recommends that all installation types have access panel(s) to allow for maintenance and/or service

**Disclaimer:** To conform to local codes and/or ordinances, it may be required that California Faucets Roman Tub sets be installed in conjunction with an ASSE 1070 approved tempering valve or equivalent (not included) to reduce hot water supply to a safe temperature.

**Important:** the INSTALLER is responsible to check local codes and/or ordinances, to confirm and verify proper maximum hot water temperature settings for all products installed

**Warning:** Water temperatures in excess of 110° F (43°C) are dangerous and may cause severe scalding and injury

