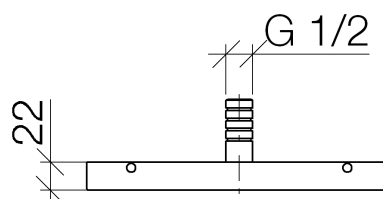
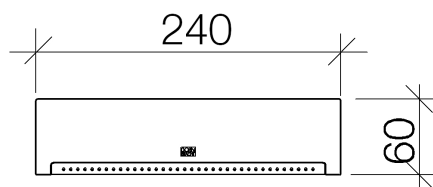




Product specifications

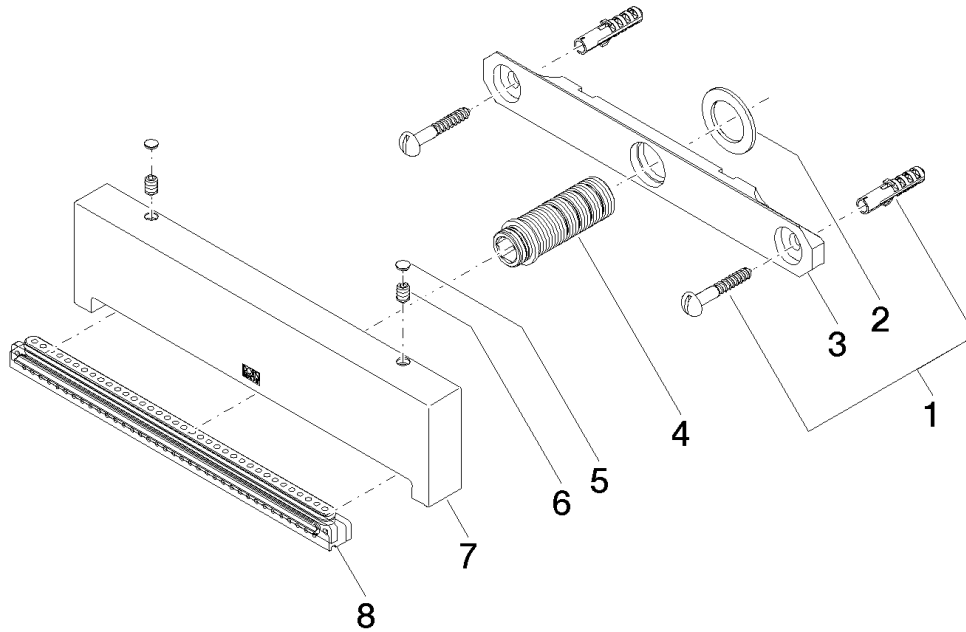
- **22 mm projection**
- PEARLSTREAM
- plate 240 mm x 60 mm
- connection 1/2", for shortening
- plug-link mounting
- max. flow 9.5 l/min



Surfaces

- | | |
|-----------------|-------------|
| • chrome | 13425979-00 |
| • platinum matt | 13425979-06 |
| • platinum | 13425979-08 |
| • matt black | 13425979-33 |
| • Cyprum | 13425979-49 |

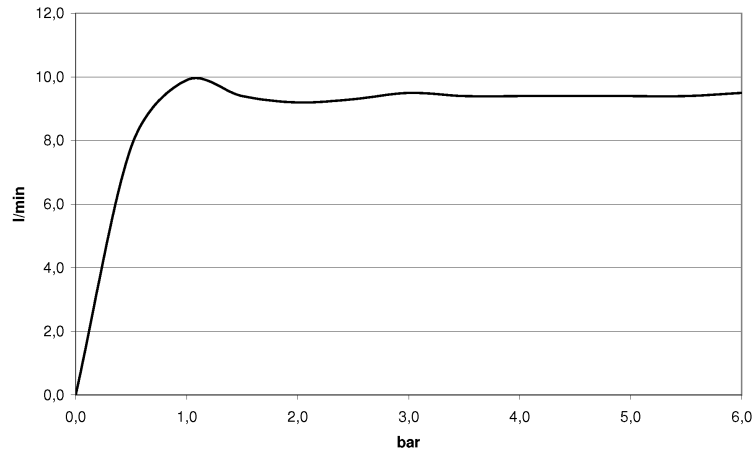
Exploded assembly drawing



Order quantity

No.	Article number	Name	Installation quantity
1	0430310240190	fixing set	1
2	09140500990	seal	1
3	09179705390	holder	1
4	9024031990090	connection	1
5	90312008700ff	plug	1
6	09311114490	pin	2
7	09170118520ff	spout	1
8	9029030710090	insert	1

Flow rate chart



Trajectory diagram

