



WC - VAIA

Reserve tissue holder - polished chrome

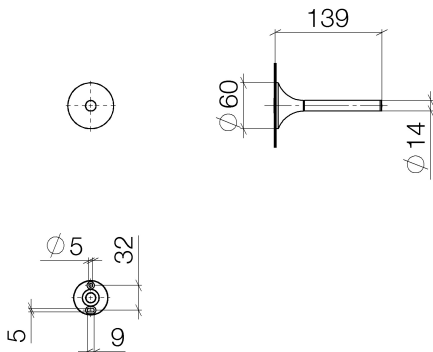
Article number: 83 590 809-00

- Width 2-3/8"
- Height 2-3/8"
- Flange diameter 2-3/8"
- 5-1/2" Projection



polished chrome

### Dimensional drawing



All dimensions in mm / inch = mm x 0,0394



WC - VAIA

Reserve tissue holder - polished chrome

Article number: 83 590 809-00



## WC - VAIA

Reserve tissue holder - polished chrome

Article number: 83 590 809-00

### Other surface finishes



platinum matte  
83 590 809-06



platinum  
83 590 809-08



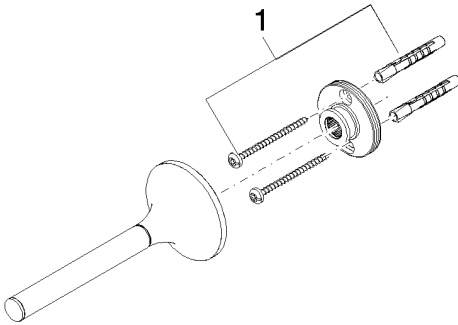
Brushed Durabronz  
83 590 809-28



Dark Platinum matte  
83 590 809-99

More custom finish options are available via special production (xTra Service). Please see our finish matrix for availability and pricing or contact a Dornbracht representative.

### Spare parts list



Number	Item Number	Designation	Number of units
1	05 30 31 025 00 90	fixing set	1