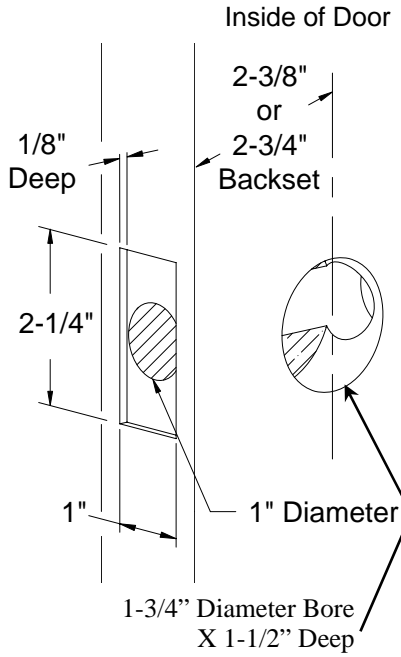


Installation Guide-Single Sided Deadbolt

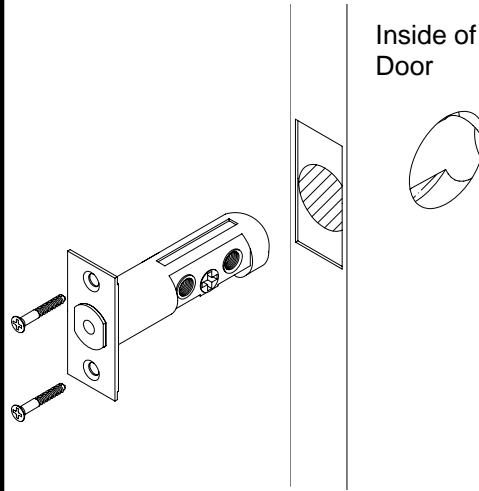
Door Prep.

For Doors Thickness:
1-5/8" to 2-3/8"

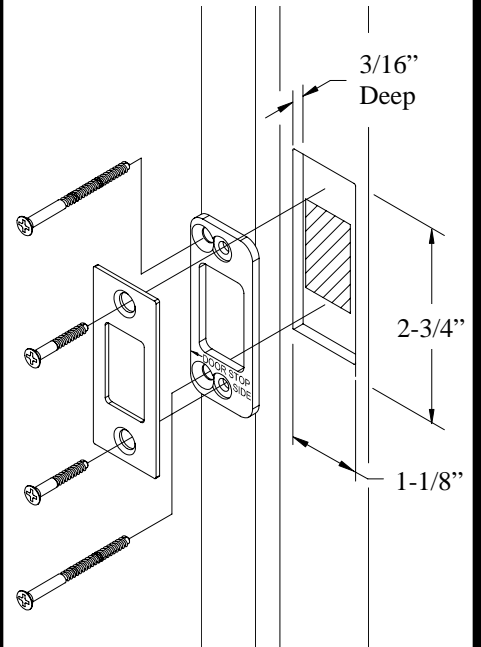


**(NOTE: Bore from the inside.
Do not bore all the way
through the door.)**

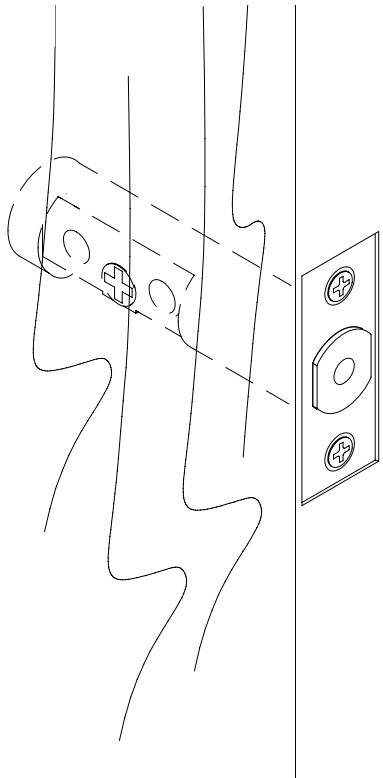
Install Bolt



Door Jam Prep



Outside



Inside

