

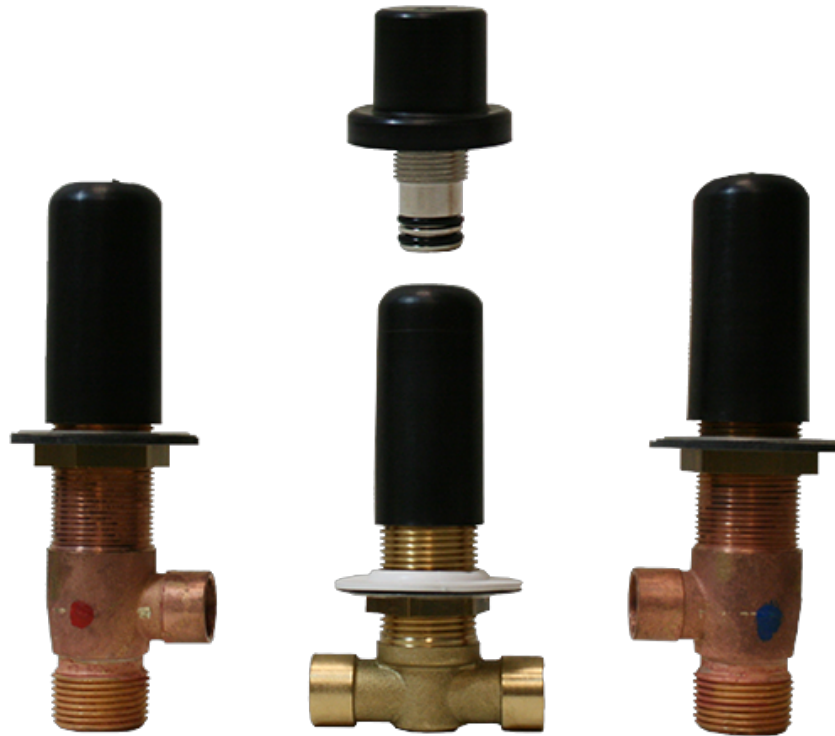
BATHROOM
M.E. 25 Roman Tub Set
G-6153-LM41B

GRAFF[®]



Information

- Aerated Flow Rate ~7 gpm @45 psi
- Deck-Mounted Handshower and Diverter Set included
- Optional in-line pressure balancing valve



Information

- 3/4" male NPT inlets
- Quick connect tub spout

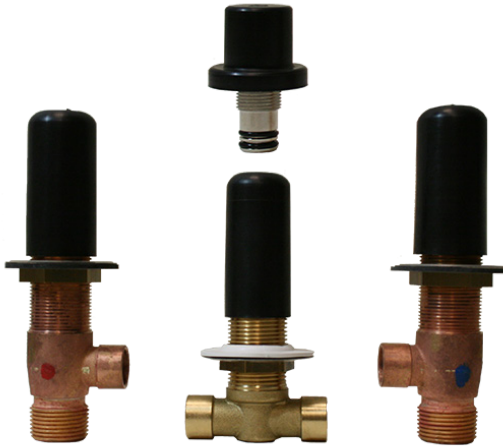
Finishes



G-1037
Rough Valve

Product Features

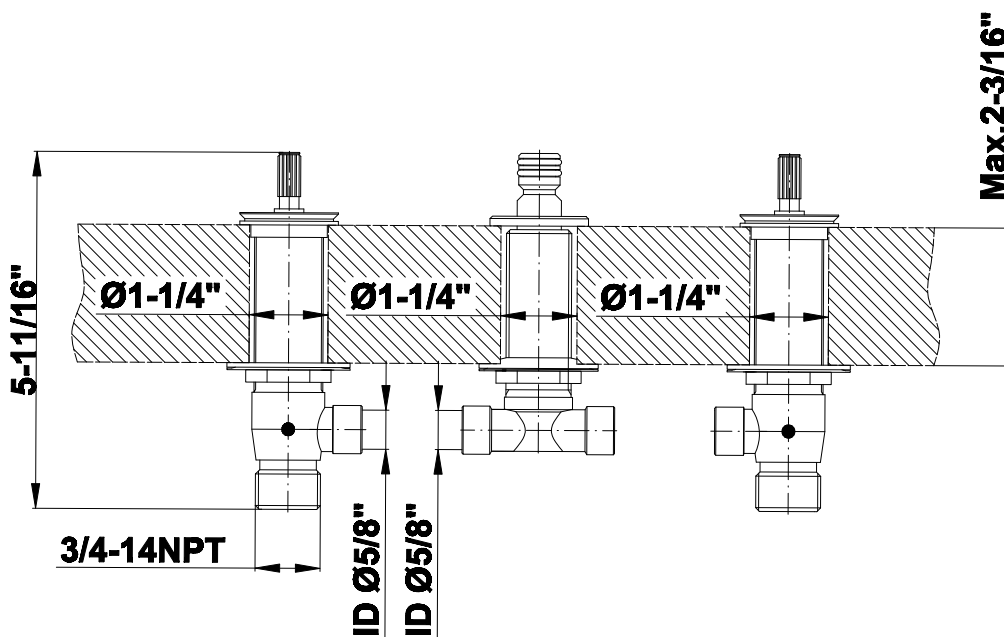
- 3/4" male NPT inlets
- Quick connect tub spout



Warranty

- Limited lifetime warranty

For complete warranty information go to: www.graff-faucets.com/en/info/faqs





Information

- Durable diverter valve

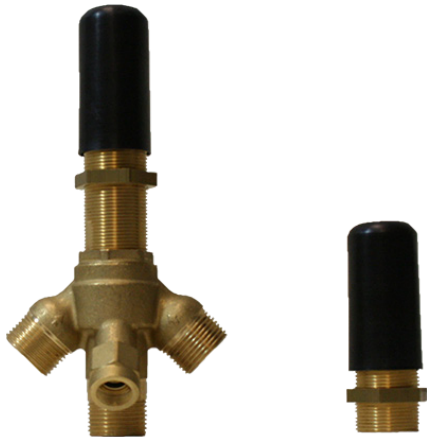
Finishes



G-1057
Rough Valve

Product Features

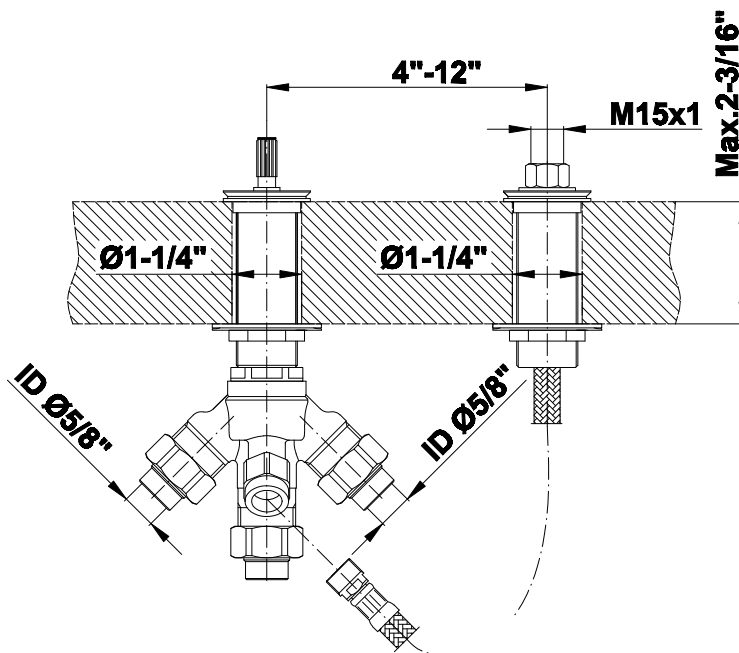
- Durable diverter valve



Warranty

- Limited lifetime warranty

For complete warranty information go to: www.graff-faucets.com/en/info/faqs





Information

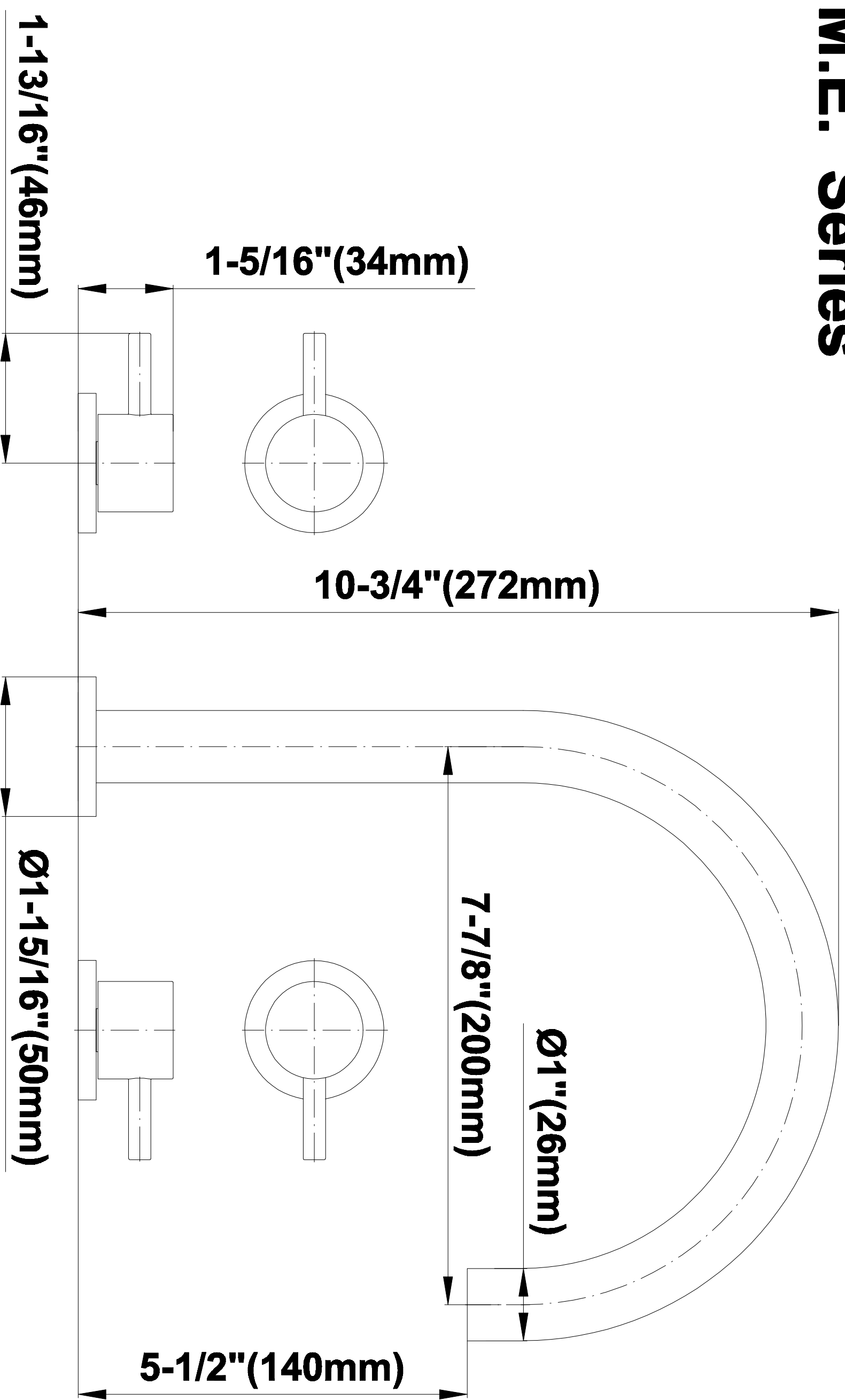
- Aerated Flow Rate 13 gpm @ 45 psi
- Matching deck-mounted handshower & diverter set available
- ADA

Finishes



G-6152

M.E. Series



BATHROOM
 M.E. 25 Deck-Mounted
 Handshower & Diverter Set
G-6156-LM41B



Information

- Matches G-6152-LM41B Roman Tub Set
- Handshower hose included

Finishes



G-6156

M.E. Series

