

SHOWER
Sade M-Series Thermostatic
Shower System - Shower with
Handshower
GM2.022WD-LM36E0

GRAFF®

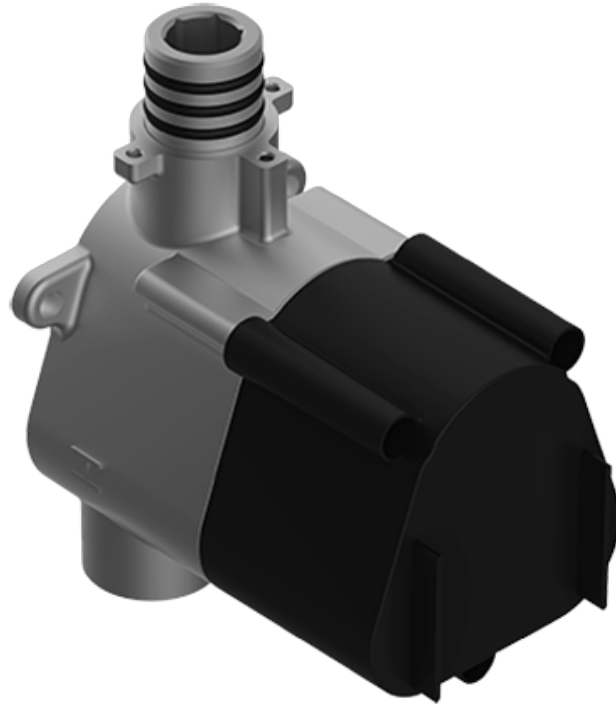


Information

- 3/4" thermostatic valve and trim
- 3/4" 2-way diverter valve
- 8" showerhead with 12" wall-mounted shower arm
- Showerhead features no-clog, easy-clean spray nozzles
- Handshower set with wall bracket and 59" hose
- Optional extension kit
- Flow rates: showerhead ≤ 1.8 max gpm, handshower ≤ 1.5 max gpm
- CALGreen

SHOWER
Thermostatic Rough Valve
G-8006

GRAFF®



Information

- 12.9 gpm @ 60 psi
- 3/4" universal inlets
- Built-in service stops
- Stacking outlet feature
- Complete serviceability from front of all units
- Supplied with protective plastic cover
- CalGreen compliant dependent on functions

Finishes



G-8006

M-Series

3/4" Concealed Thermostatic Rough Valve



Product Features

- 12.9 gpm @ 60 psi
- 3/4" universal inlets
- Built-in service stops
- Stacking outlet feature
- Complete serviceability from front of all units
- Supplied with protective plastic cover
- CalGreen compliant dependent on functions

Code Compliance

- CALGreen

Warranty

- Limited lifetime warranty

For complete warranty information go to www.graff-faucets.com/en/info/faqs

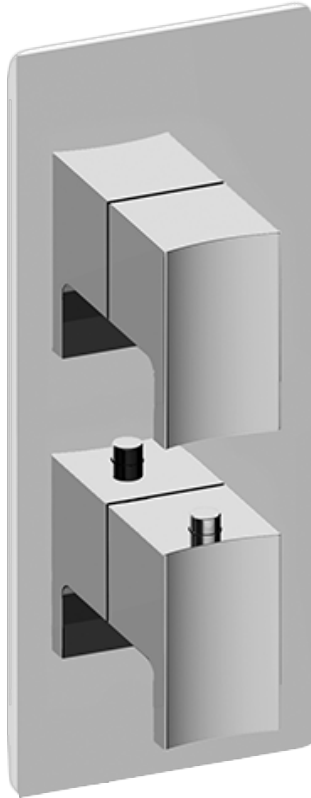


The measurements shown are for reference only. Products and specifications shown are subject to change without notice. Revised 3/2016.

www.graff-faucets.com | phone: 800-954-4723

SHOWER
M-Series Valve Trim with Two
Handles
G-8048-LM36E0-T

GRAFF[®]



Information

- Two metal handles
- Decorative trim plate
- Use with M-Series rough valves
- ADA

Finishes



24K Gold



24K Brushed
Gold



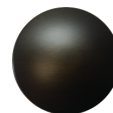
Architectural
Black™



Brushed
Nickel



Matte Black



Olive Bronze



Polished
Chrome



Polished
Nickel



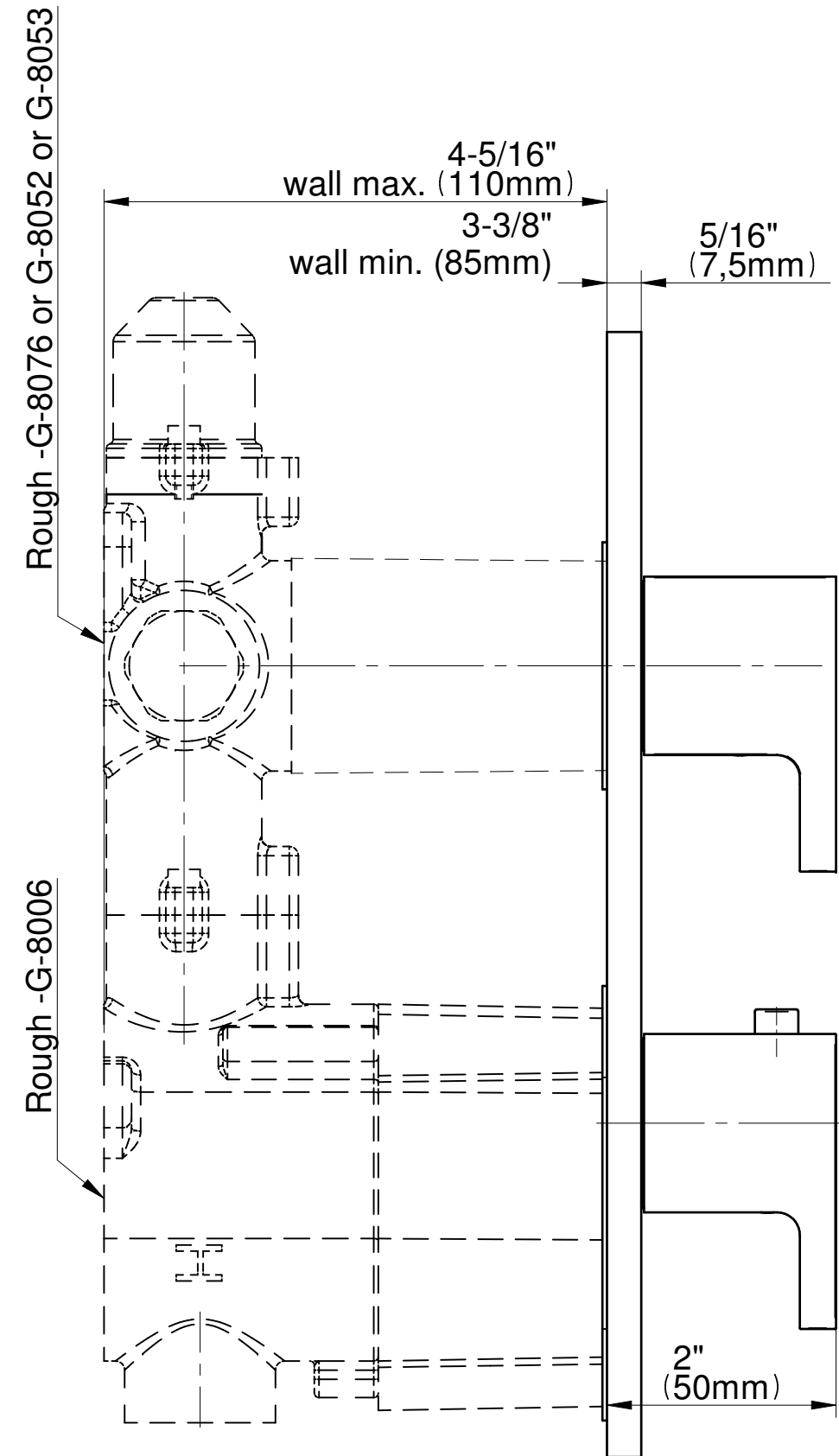
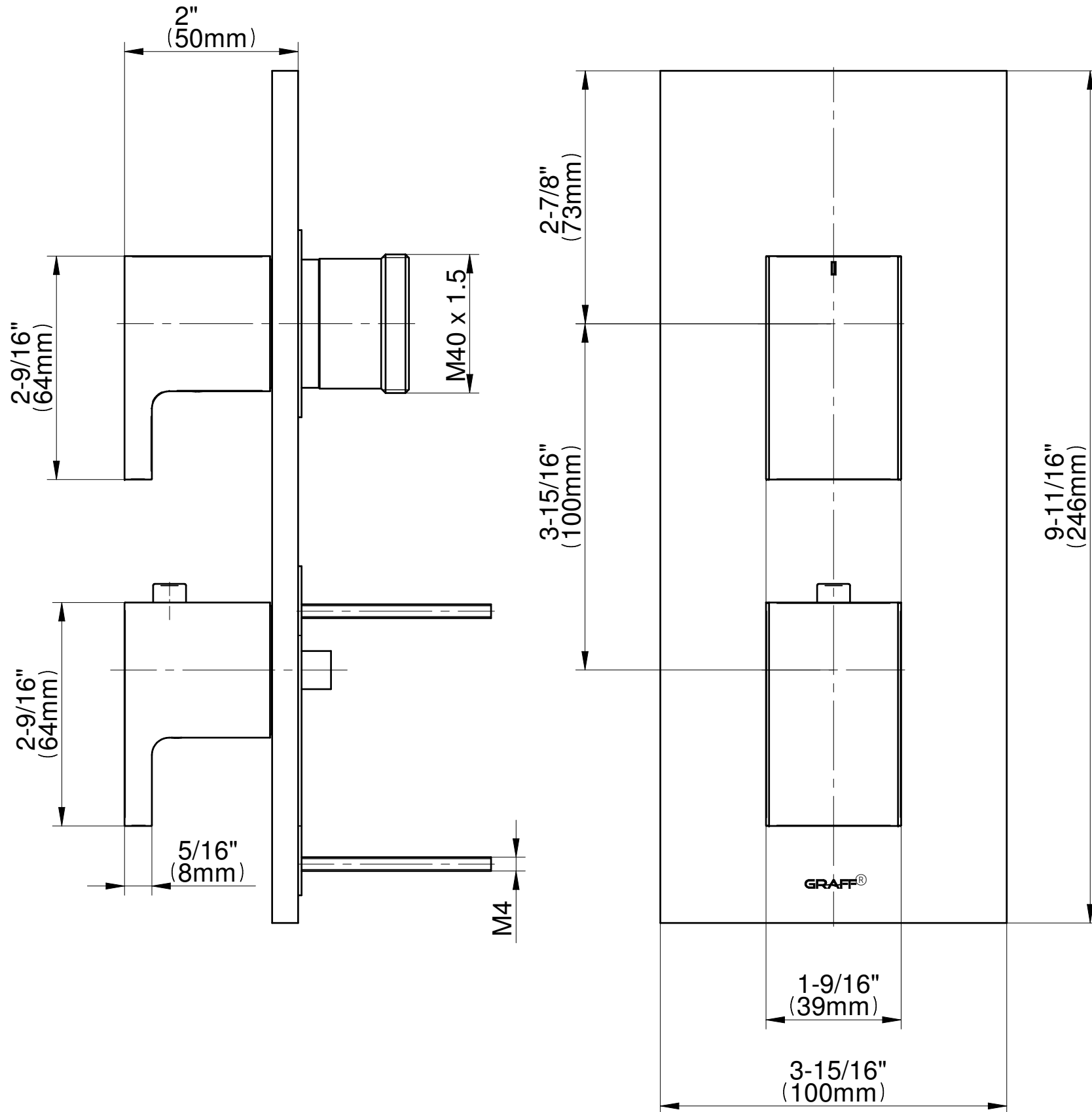
Steelnox®
(Satin Nickel)



Architectural
White

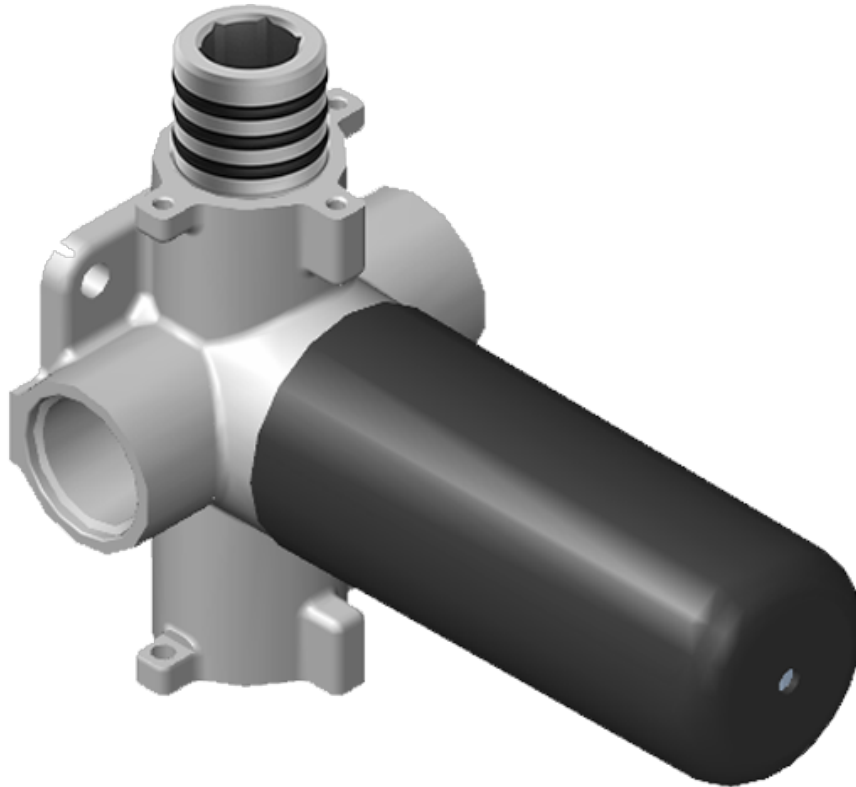
G-8048-LM36E0-T

Targa Series



SHOWER
Two-Way Diverter Volume Control
Valve WITH Off Function and Pass-
Through
G-8052

GRAFF®



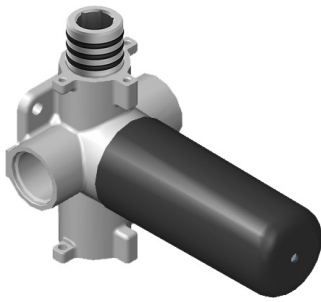
Information

- 11.7 gpm @ 60 psi
- 3/4" universal inlets/outlets with female threads
- Operates one function at a time
- Stacking inlet and pass-through port feature
- Supplied with protective plastic cover
- CALGreen compliant depending on functions

Finishes



G-8052 M-Series
 2-Way Diverter Volume Control Valve
 WITH Off Function and Pass-Through



Product Features

- 12.1 gpm @ 60 psi
- 3/4" universal inlets/outlets with female threads
- Stacking inlet and pass-through port feature
- Supplied with protective plastic cover
- CalGreen compliant dependent on functions

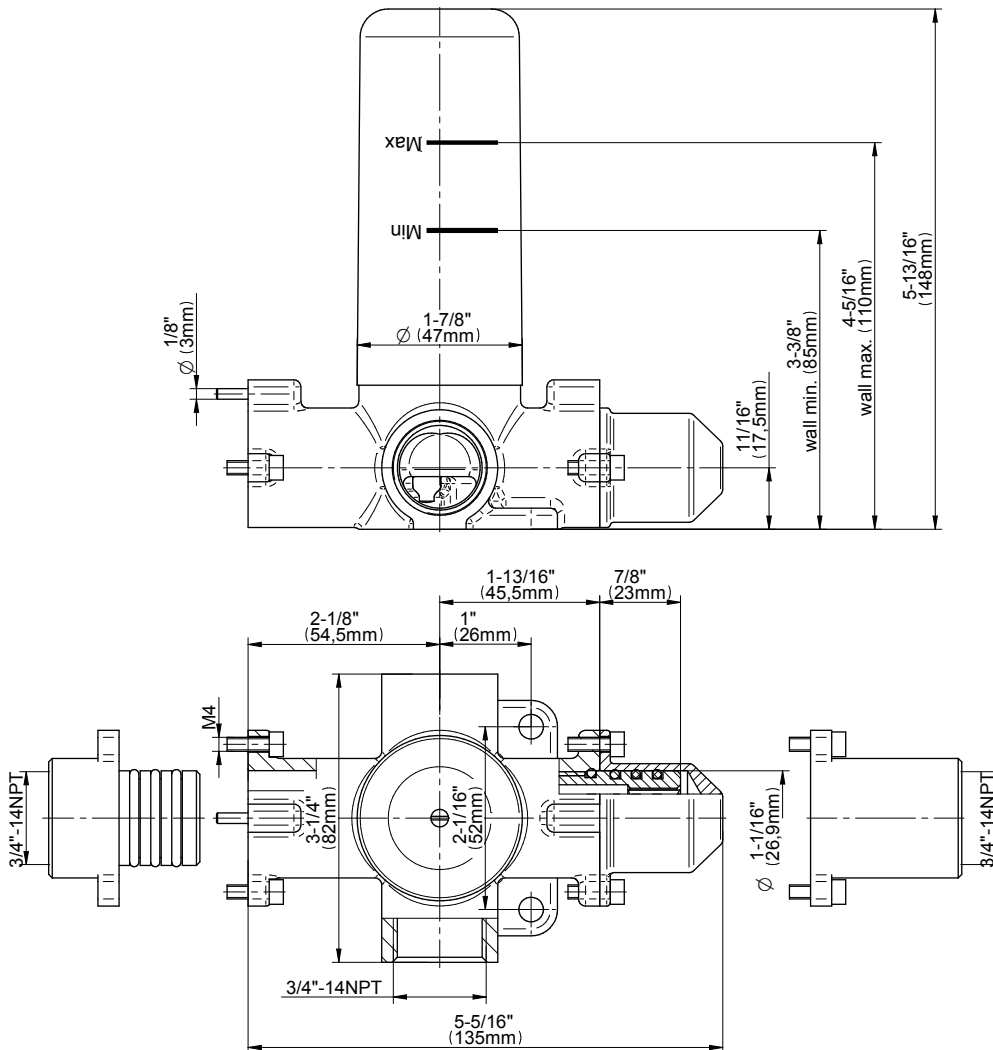
Code Compliance

- CALGreen

Warranty

- Limited lifetime warranty

For complete warranty information go to www.graff-faucets.com/en/info/faqs



The measurements shown are for reference only. Products and specifications shown are subject to change without notice. Revised 3/2016.

www.graff-faucets.com | phone: 800-954-4723

SHOWER
8" Square Brass Showerhead
G-8438

GRAFF[®]



Information

- 1/4" thick
- 144 no-clog, easy-clean rubber spray nozzles
- Recommended use with ceiling shower arm
- Recommended for use at no more than 10 degrees tilt
- Showerhead flow rate ≤ 1.8 max gpm
- CALGreen

Finishes



G-8438

Aqua-Sense Collection
Contemporary 8" Square Showerhead



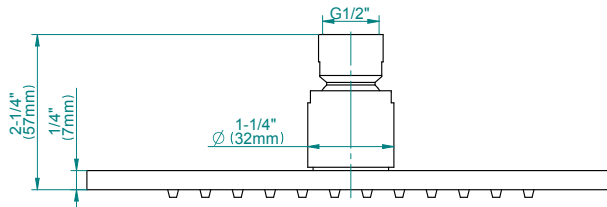
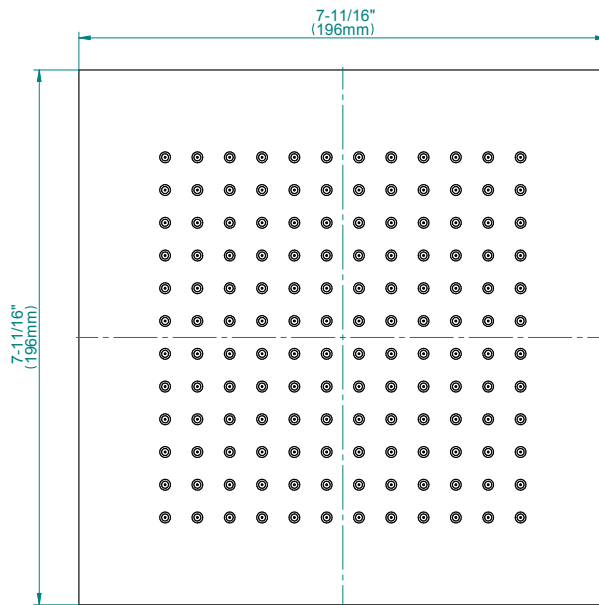
Product Features

- 1/4" thick
- 144 no-clog, easy-clean rubber spray nozzles
- Showerhead flow rate ≤ 1.8 max gpm

Available Finishes

- Polished Chrome
G-8438-PC
- Brushed Nickel
G-8438-PN
- Polished Nickel
G-8438-BNi
- Unfinished Brass*
G-8438-UB*
- Steinox
G-8438-SN
- Olive Brass*
G-8438-OB*
- Architectural Black with Chrome Accents*
G-8438-PC/BK*
- Gold*
G-8438-AU*
- Brushed Gold*
G-8438-BAU

* Special order finish- call for availability



Code Compliance

- CALGreen

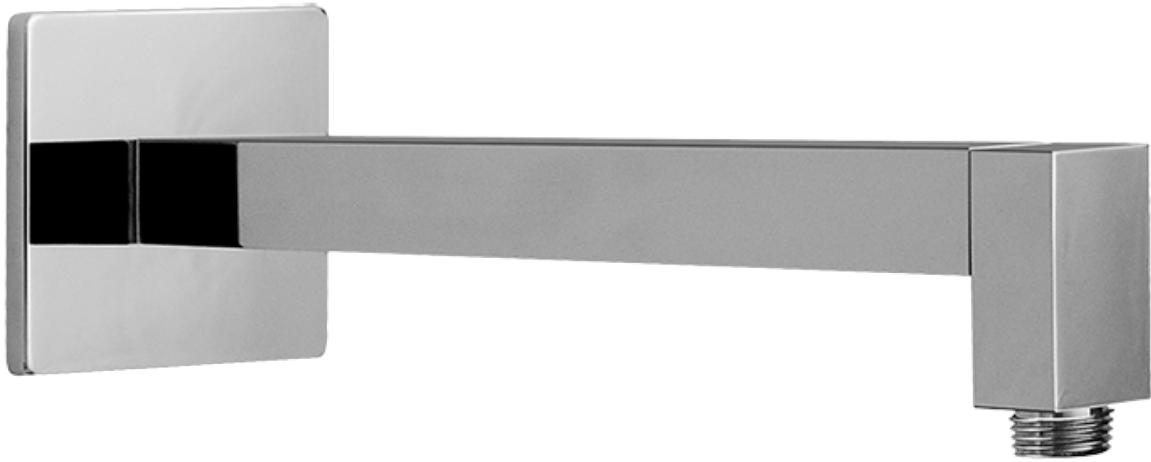
Warranty

- Limited lifetime warranty

For complete warranty information go to www.graff-designs.com/en-nam/warranty

SHOWER
Contemporary 12" Shower Arm
G-8530

GRAFF®



Information

- Includes arm and square flange
- 1/2" NPT male thread inlet
- For use with all showerheads (especially G-8438)

Finishes



24K Gold

24K Brushed
Gold

Architectural
Black™

Brushed
Nickel

Matte Black

Olive Bronze

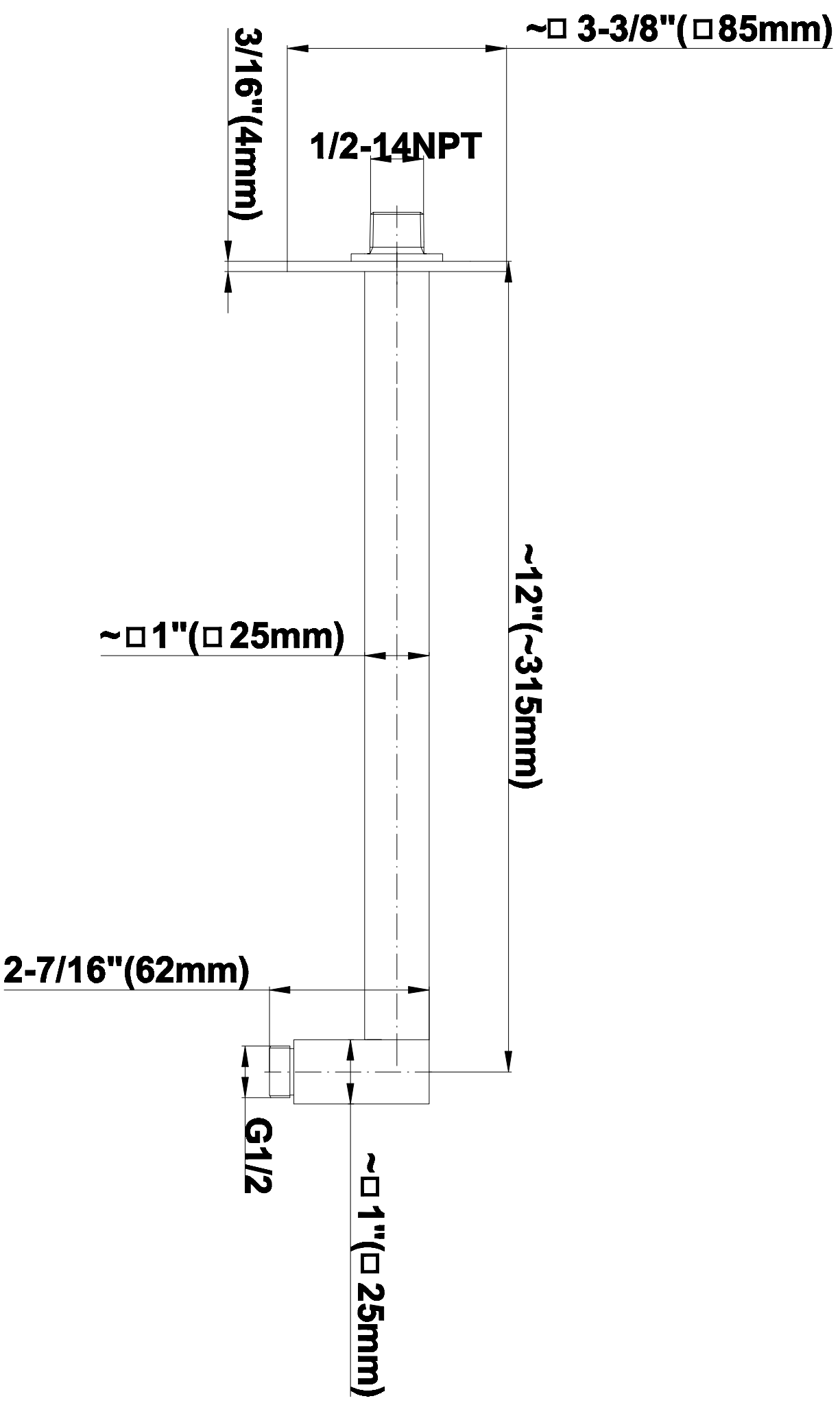
Polished
Chrome

Polished
Nickel

Steelnox®
(Satin Nickel)

Architectural
White

G-8530



SHOWER
59" Shower Hose
G-8605

GRAFF®



Information

- Brass spiral flexible hose with conical nut

Finishes



24K Gold



24K Brushed
Gold



Architectural
Black™



Brushed
Nickel



Matte Black



Olive Bronze



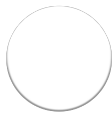
Polished
Chrome



Polished
Nickel



Steelnox®
(Satin Nickel)



Architectural
White



Product Features

- Brass spiral flexible hose with conical nut

Warranty

- Limited lifetime warranty

For complete warranty information go to www.graff-designs.com/en-nam/warranty

Available Finishes

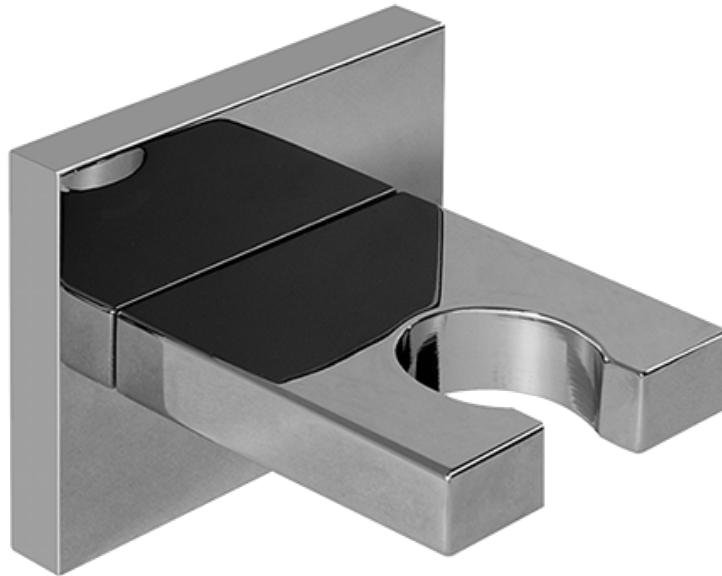
- Polished Chrome
G-8605-PC
- Polished Nickel
G-8605-PN
- Brushed Nickel
G-8605-BNi
- Unfinished Brushed Brass*
G-8605-UBB*
- Unfinished Brass*
G-8605-UB*
- Matte Black*
G-8605-MBK*
- Architectural Black*
G-8605-BK*
- Architectural White*
G-8605-WT*
- Olive Brass*
G-8605-OB*
- Gunmetal*
G-8605-GM*
- Vintage Brushed Brass*
G-8605-VBB*
- Steelnox (Satin Nickel)
G-8605-SN
- 24K Brushed Gold*
G-8605-BAU*
- 24K Gold*
G-8605-AU*
- Gunmetal Distressed*
G-8605-GMD*

* Special order finish- call for availability



SHOWER
Contemporary Square Wall
Bracket for Handshower
G-8632

GRAFF®



Information

- Solid brass construction

Finishes



24K Gold



24K Brushed
Gold



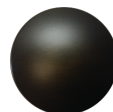
Architectural
Black™



Brushed
Nickel



Matte Black



Olive Bronze



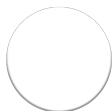
Polished
Chrome



Polished
Nickel



Steelnox®
(Satin Nickel)



Architectural
White

G-8632

Contemporary Square Wall Bracket for Handshower



Product Features

- Solid brass construction

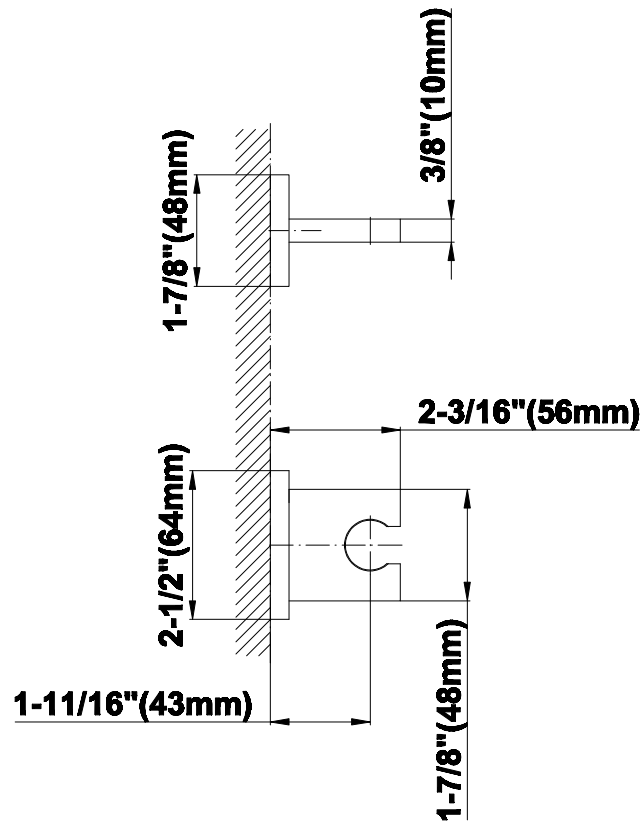
Available Finishes

- Polished Chrome
G-8632-PC
- Steelnox[®]
G-8632-SN

Warranty

- Limited lifetime warranty

For complete warranty information go to
<http://www.graff-faucets.com/en/info/faqs>



The measurements shown are for reference only. Products and specifications shown are subject to change without notice. Revised 02/2017.

www.graff-faucets.com | phone: 800-954-4723

SHOWER
Contemporary Square Wall Supply
Elbow
G-8633

GRAFF®



Information

- 1/2" NPT female thread inlet

Finishes



G-8633

Contemporary Square Wall Supply Elbow



Product Features

- 1/2" NPT female thread inlet

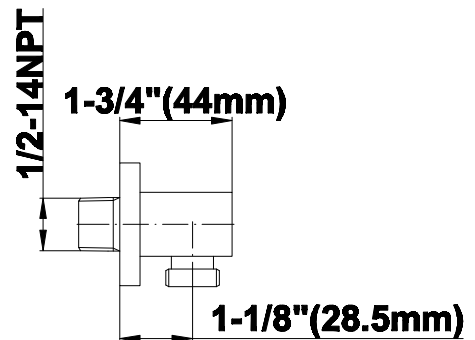
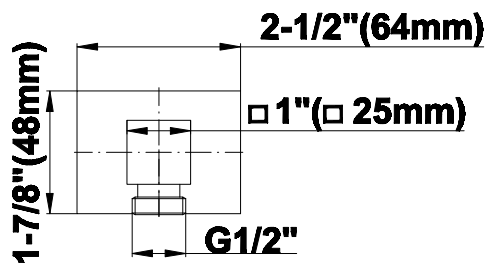
Available Finishes

- Polished Chrome
G-8633-PC
- Steelnox[®]
G-8633-SN
- Architectural Black w/Chrome
Accents
G-8633-PC/BK

Warranty

- Limited lifetime warranty

For complete warranty information go to
<http://www.graff-faucets.com/en/info/faqs>



SHOWER
Contemporary Rectangle
Handshower
G-8654

GRAFF®



Information

- Smooth, all-metal handle
- Shower hose not included
- Handshower flow rate ≤ 1.5 max gpm
- Includes internal backflow preventer
- CALGreen

Finishes



24K Gold



24K Brushed
Gold



Architectural
Black™



Brushed
Nickel



Matte Black



Olive Bronze



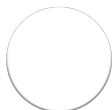
Polished
Chrome



Polished
Nickel



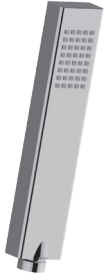
Steelnox®
(Satin Nickel)



Architectural
White

G-8654

Shower Components Contemporary Rectangle Handshower



Product Features

- Smooth, all-metal handle
- Shower hose not included
- Includes internal backflow preventer
- Handshower flow rate ≤ 1.5 max gpm

Warranty

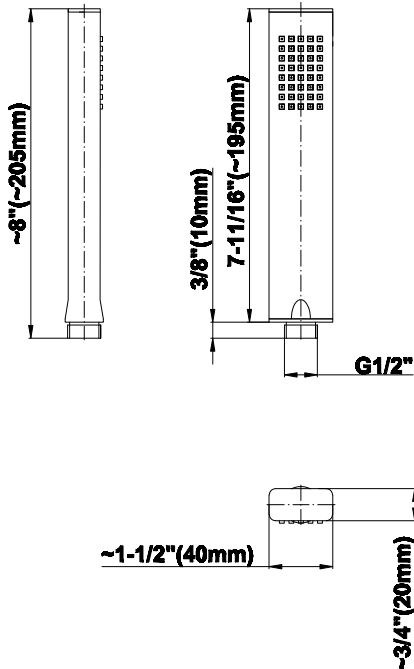
- Limited lifetime warranty

For complete warranty information go to
<https://www.graff-designs.com/en/info/faqs>

Available Finishes

- Polished Chrome
G-8654-PC
- Polished Nickel
G-8654-PN
- Brushed Nickel
G-8654-BNi
- Matte Black*
G-8654-MBK*
- Architectural Black*
G-8654-BK*
- Architectural White*
G-8654-WT*
- Steelnox (Satin Nickel)
G-8654-SN
- Olive Bronze*
G-8654-OB*
- Gunmetal*
G-8654-GM*
- OR'osa PVD*
G-8654-RG*
- Brushed OR'osa PVD*
G-8654-BRG*
- Onyx PVD*
G-8654-OX*
- Brushed Onyx PVD*
G-8654-BOX*
- 24K Brushed Gold*
G-8654-BAU*
- 24K Gold*
G-8654-AU*

* Special order finish- call for availability



The measurements shown are for reference only. Products and specifications shown are subject to change without notice. Revised 11/2019

www.graff-designs.com | phone: 800-954-4723