

SHOWER
Finezza DUE M-Series
Thermostatic Shower System -
Tub and Shower with Handshower
GP3.M22SH-LM47E0

GRAFF®

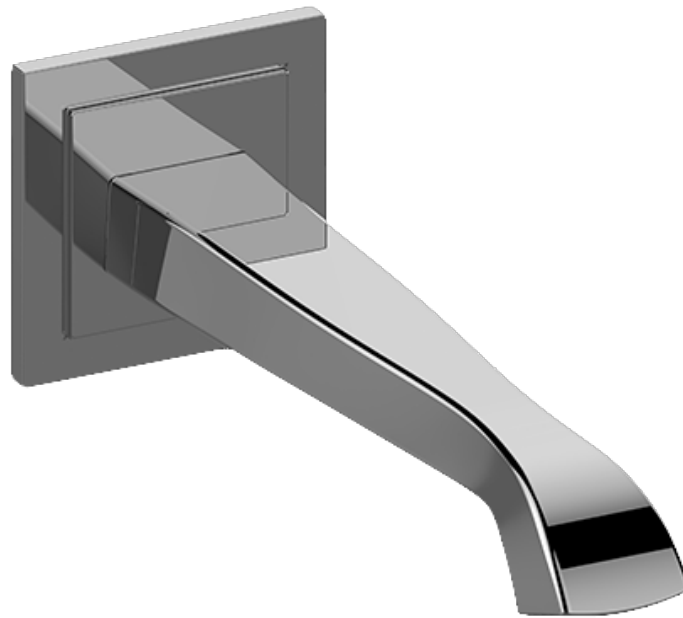


Information

- 3/4" thermostatic valve and trim
- 3/4" stop/volume control valve and 2-way diverter valve and trims
- 9" showerhead with 12" wall-mounted shower arm
- Showerhead features no-clog, easy-clean spray nozzles
- Handshower set with wall bracket and 59" hose (PVD finishes use 59" flex hose)
- 8" matching Finezza collection tub spout
- Optional extension kit
- Flow rates: showerhead ≤ 1.8 max gpm, handshower ≤ 1.8 max gpm
- ADA

SHOWER
8" Finezza Tub Spout
G-6865

GRAFF®



Information

- Includes spout ring
- 1/2" NPT male thread inlet
- Tub spout flow rate ~ 12.4 gpm @60 psi
- Matches Finezza UNO and Finezza DUE Collections

Finishes



24K Gold



24K Brushed Gold



Brushed Brass PVD



Architectural Black™



Brushed Nickel



Gunmetal



Matte Black



Olive Bronze



Onyx PVD®



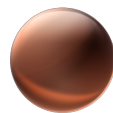
Polished Brass PVD



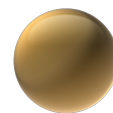
Polished Chrome



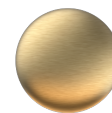
Polished Nickel



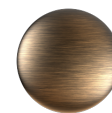
OR'osa PVD®



Unfinished Brass



Unfinished Brushed Brass



Vintage Brushed Brass

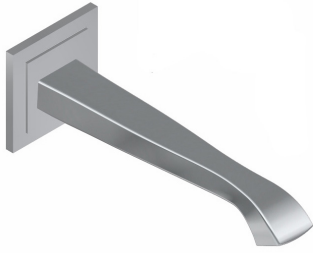


Architectural White

G-6865

Finezza Collection
8" Finezza Tub Spout

GRAFF®



Product Features

- Includes spout ring
- 1/2" NPT female thread inlet
- Matches Finezza UNO and Finezza DUE Collections
- Tub spout flow rate ~ 12.4 gpm @60 psi

Available Finishes

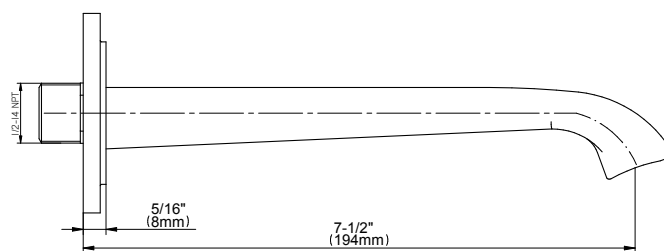
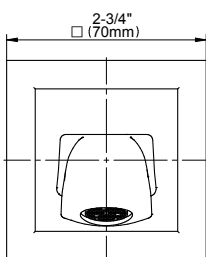
- Polished Chrome
G-6865-PC
- Brushed Nickel
G-6865-BNi
- Polished Nickel
G-6865-PN
- Olive Bronze
G-6865-OB
- Unfinished Brass*
G-6865-UB*
- Gold*
G-6865-AU*
- Brushed Gold*
G-6865-BAU*

* Special order finish- call for availability

Warranty

- Limited lifetime warranty

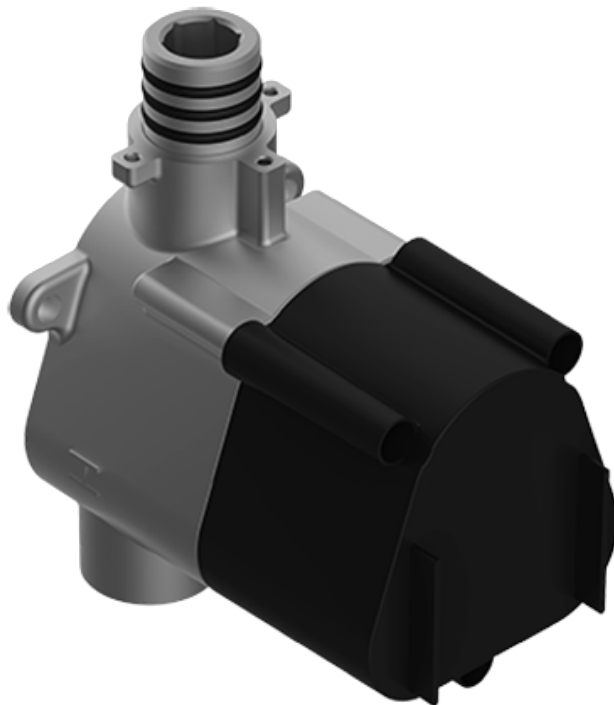
For complete warranty information go to <https://www.graff-faucets.com/en/info/faqs>



The measurements shown are for reference only. Products and specifications shown are subject to change without notice. Revised 5/2018.

www.graff-designs.com | phone: 800-954-4723

SHOWER
Thermostatic Rough Valve
G-8006



Information

- 12.9 gpm @ 60 psi
- 3/4" universal inlets
- Built-in service stops
- Stacking outlet feature
- Complete serviceability from front of all units
- Supplied with protective plastic cover
- CalGreen compliant dependent on functions

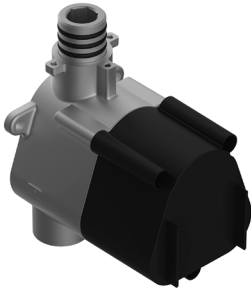
Finishes



G-8006

M-Series

3/4" Concealed Thermostatic Rough Valve



Product Features

- 12.9 gpm @ 60 psi
- 3/4" universal inlets
- Built-in service stops
- Stacking outlet feature
- Complete serviceability from front of all units
- Supplied with protective plastic cover
- CalGreen compliant dependent on functions

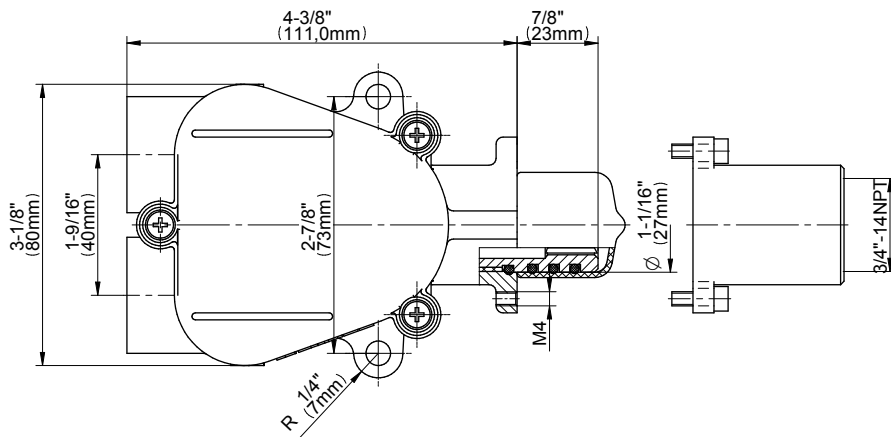
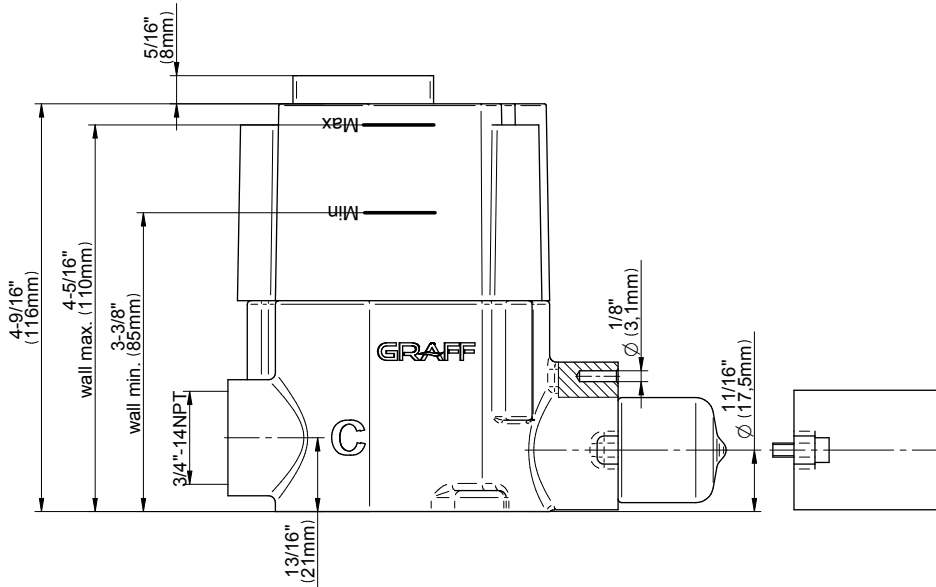
Code Compliance

- CALGreen

Warranty

- Limited lifetime warranty

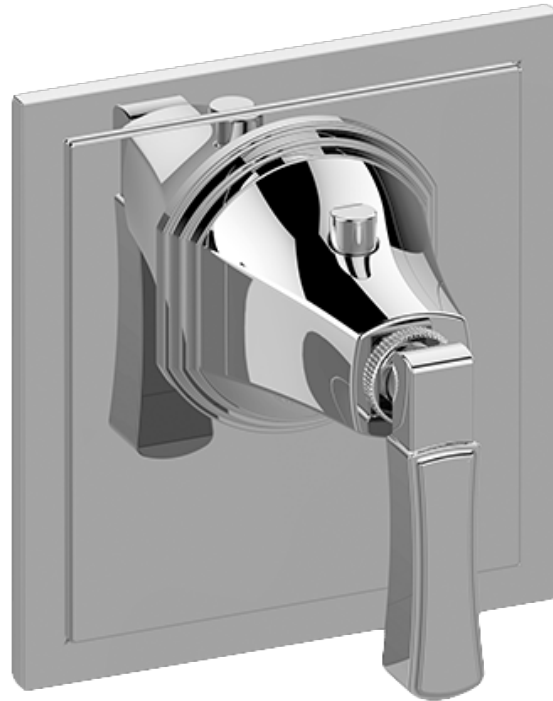
For complete warranty information go to www.graff-faucets.com/en/info/faqs



The measurements shown are for reference only. Products and specifications shown are subject to change without notice. Revised 3/2016.

www.graff-faucets.com | phone: 800-954-4723

SHOWER
 Finezza UNO Thermostatic Valve
 Trim Plate and Handle
G-8044-LM47E-T



Information

- Single metal handle
- Decorative trim plate
- Use with G-8006 thermostatic rough valve
- To complete package, you must order rough valve
- ADA

Finishes



24K Gold



24K Brushed Gold



Brushed Brass PVD



Architectural Black™



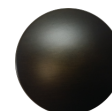
Brushed Nickel



Gunmetal



Matte Black



Olive Bronze



Onyx PVD®



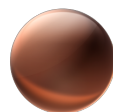
Polished Brass PVD



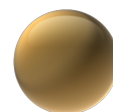
Polished Chrome



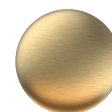
Polished Nickel



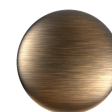
OR'osa PVD®



Unfinished Brass



Unfinished Brushed Brass



Vintage Brushed Brass



Architectural White

G-8044-LM47E-T

Finezza UNO Collection

Thermostatic Valve Trim Plate and Handle

GRAFF[®]
CUTTING EDGE DESIGN



Product Features

- Single metal handle
- Decorative trim plate
- Use with G-8006 thermostatic rough valve
- To complete package, you must order rough valve

Available Finishes

- Polished Chrome
G-8044-LM47E-PC-T
- Brushed Nickel
G-8044-LM47E-BNi-T
- Polished Nickel
G-8044-LM47E-PN-T
- Olive Bronze™
G-8044-LM47E-OB-T

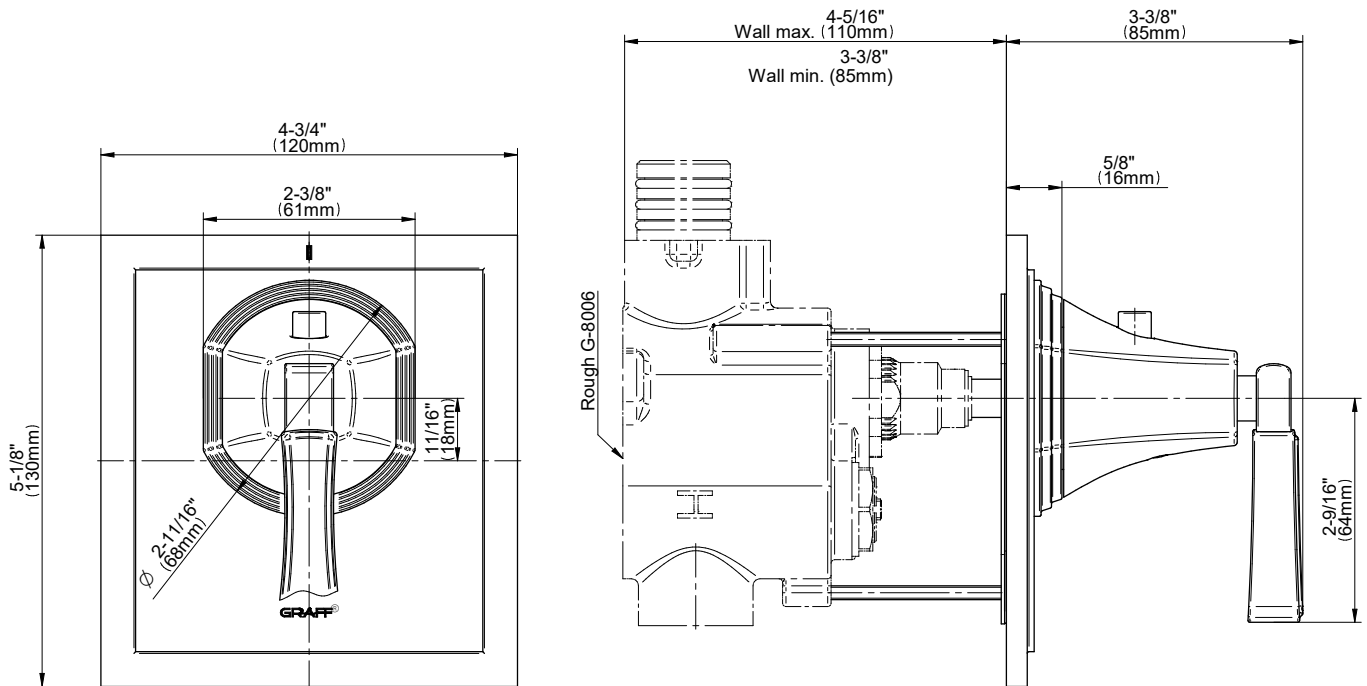
Code Compliance

- ADA

Warranty

- Limited lifetime warranty

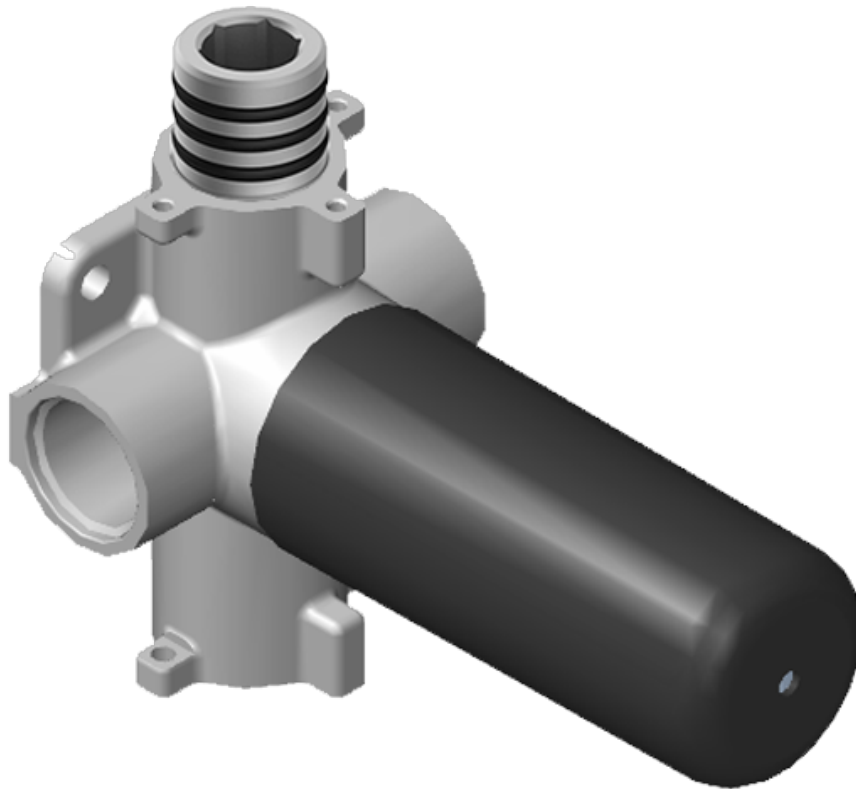
For complete warranty information go to: www.graff-faucets.com/en/info/faqs



The measurements shown are for reference only. Products and specifications shown are subject to change without notice. Revised 7/2017

www.graff-faucets.com | phone: 800-954-4723

SHOWER
 Two-Way Diverter Volume Control
 Valve WITH Off Function and Pass-
 Through
G-8052



Information

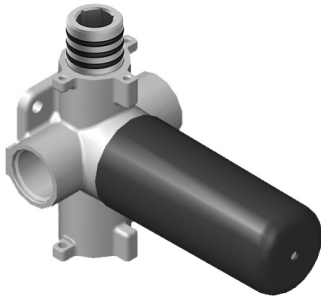
- 11.7 gpm @ 60 psi
- 3/4" universal inlets/outlets with female threads
- Operates one function at a time
- Stacking inlet and pass-through port feature
- Supplied with protective plastic cover
- CALGreen compliant depending on functions

Finishes



Architectural
White

G-8052 M-Series
2-Way Diverter Volume Control Valve
WITH Off Function and Pass-Through



Product Features

- 12.1 gpm @ 60 psi
- 3/4" universal inlets/outlets with female threads
- Stacking inlet and pass-through port feature
- Supplied with protective plastic cover
- CalGreen compliant dependent on functions

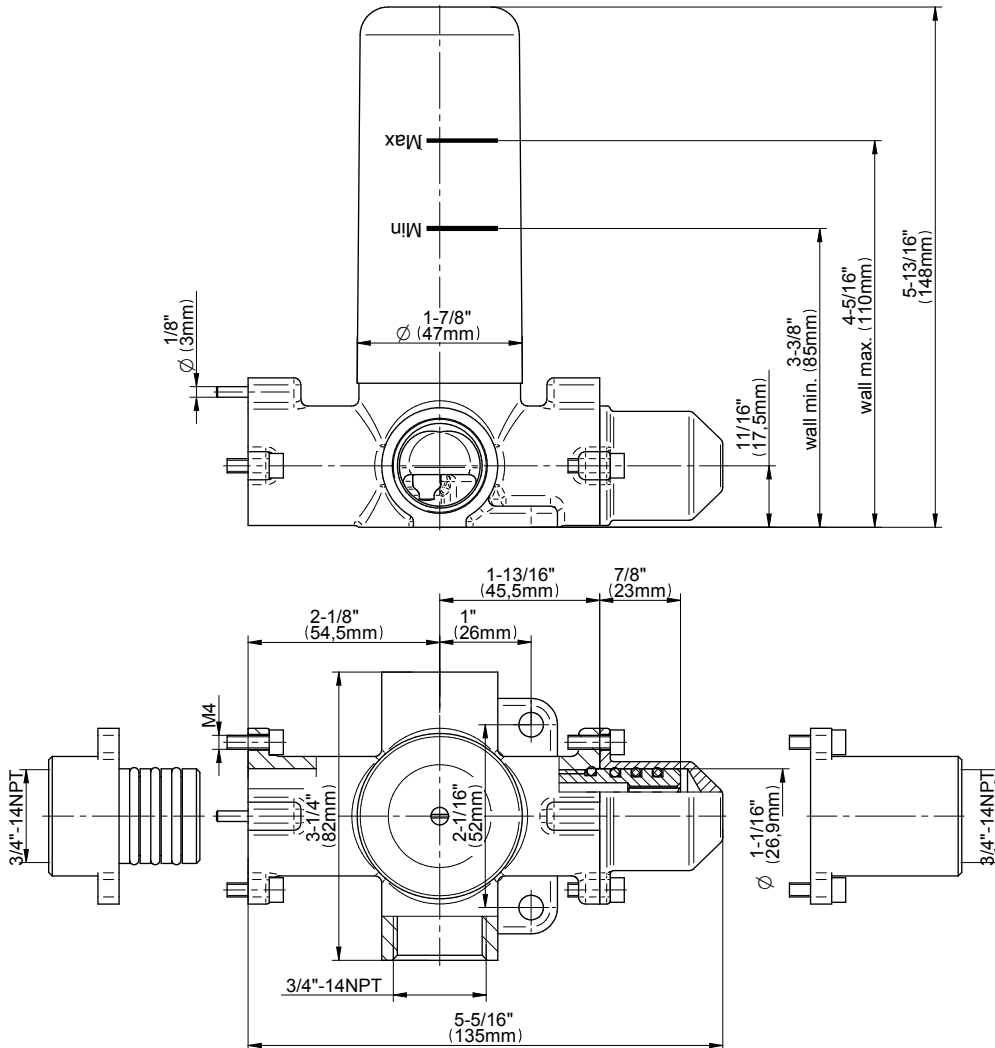
Code Compliance

- CALGreen

Warranty

- Limited lifetime warranty

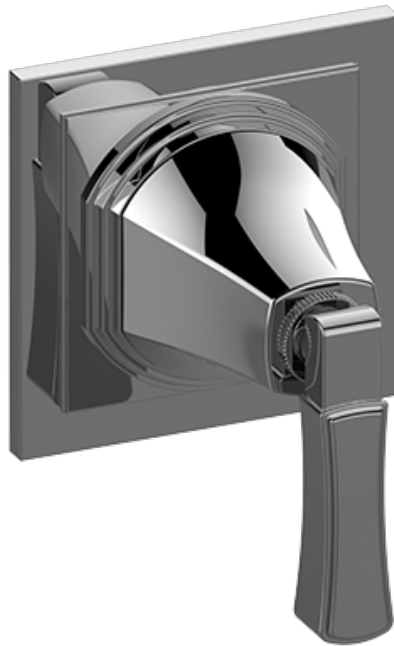
For complete warranty information go to www.graff-faucets.com/en/info/faqs



The measurements shown are for reference only. Products and specifications shown are subject to change without notice. Revised 3/2016.

www.graff-faucets.com | phone: 800-954-4723

SHOWER
 Finezza UNO Two-Way Diverter
 Valve Trim Plate and Handle
G-8073-LM47E1-T



Information

- Single metal handle
- Decorative trim plate
- Use with G-8052 2-way diverter (pass through) control rough valve WITH off function
- To complete package, you must order rough valve
- ADA

Finishes



G-8073-LM47E1-T

Finezza UNO Collection

Two-Way Diverter Valve Trim Plate and Handle

GRAFF[®]
CUTTING EDGE DESIGN



Product Features

- Single metal handle
- Decorative trim plate
- Use with G-8052 2-way diverter (pass through) control rough valve WITH off function
- To complete package, you must order rough valve

Available Finishes

- Polished Chrome
G-8073-LM47E1-PC-T
- Brushed Nickel
G-8073-LM47E1-BNi-T
- Polished Nickel
G-8073-LM47E1-PN-T
- Olive Bronze™
G-8073-LM47E1-OB-T

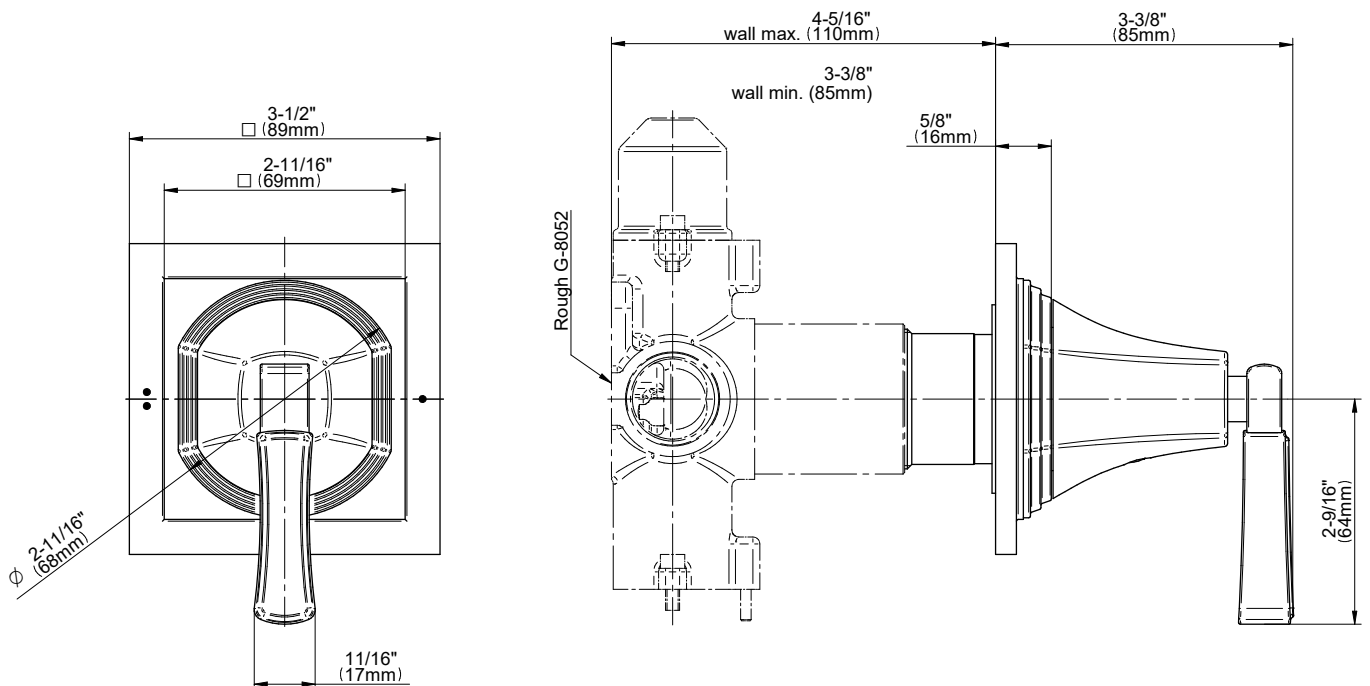
Code Compliance

- ADA

Warranty

- Limited lifetime warranty

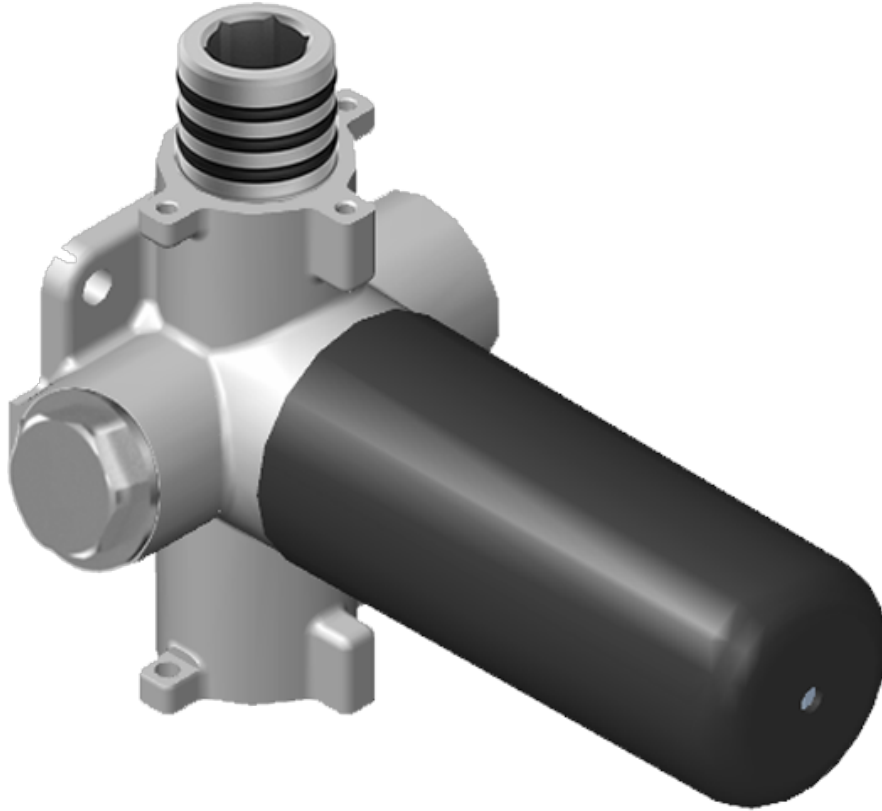
For complete warranty information go to: www.graff-faucets.com/en/info/faqs



The measurements shown are for reference only. Products and specifications shown are subject to change without notice. Revised 7/2017

www.graff-faucets.com | phone: 800-954-4723

SHOWER
 Stop/Volume Control Valve with
 Pass Through
G-8076



Information

- 12.3 gpm @ 60 psi
- 3/4" universal inlets/outlets with female threads
- Stacking inlet and pass-through port feature
- Supplied with protective plastic cover
- CalGreen compliant dependent on functions

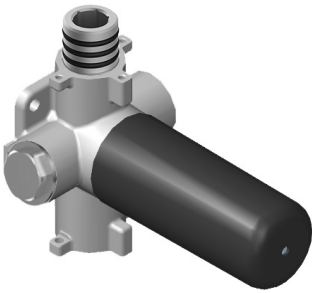
Finishes



G-8076

M-Series

Stop/Volume Control Rough Valve with Pass-Through



Product Features

- 13.2 gpm @ 60 psi
- 3/4" universal inlets/outlets with female threads
- Stacking inlet and pass-through port feature
- Supplied with protective plastic cover
- CalGreen compliant dependent on functions

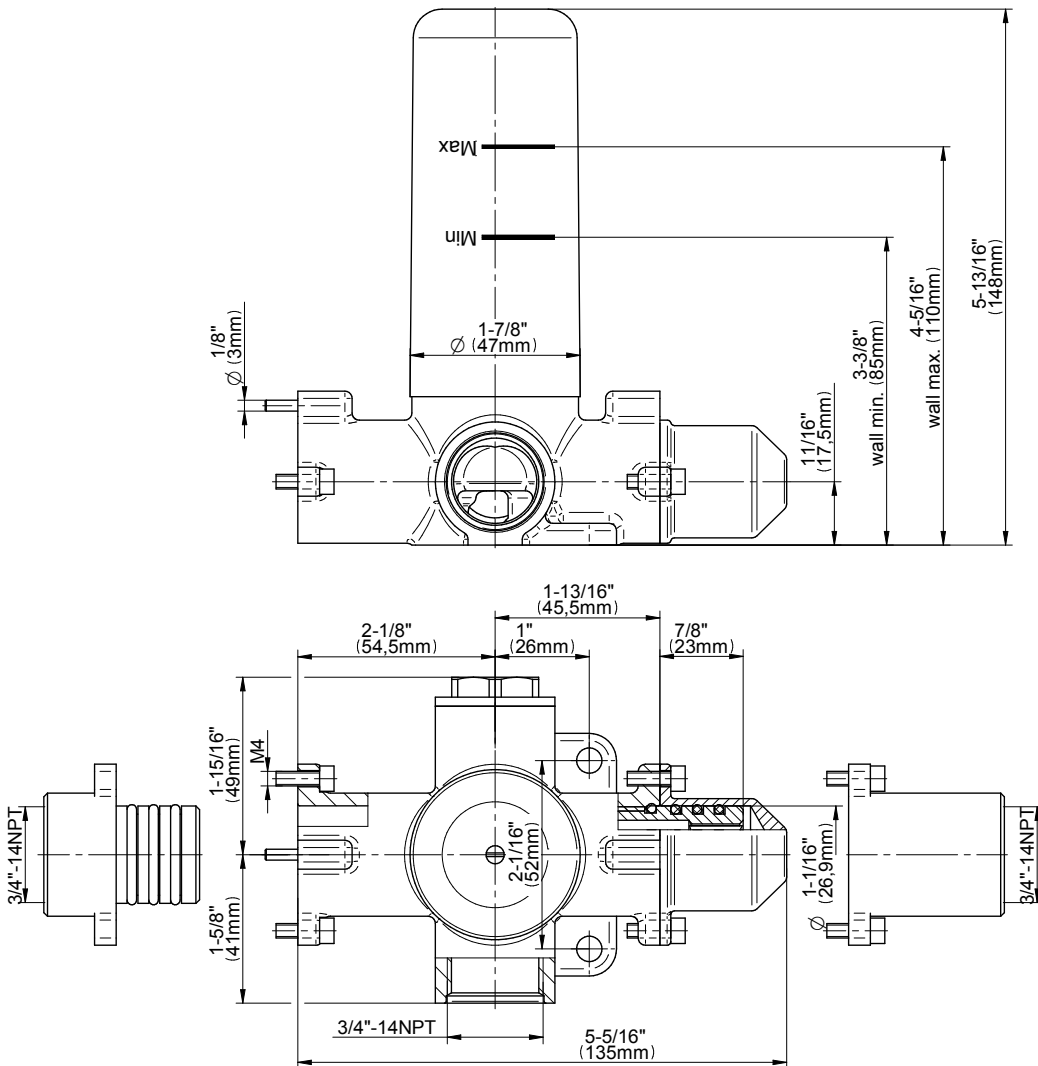
Code Compliance

- CALGreen

Warranty

- Limited lifetime warranty

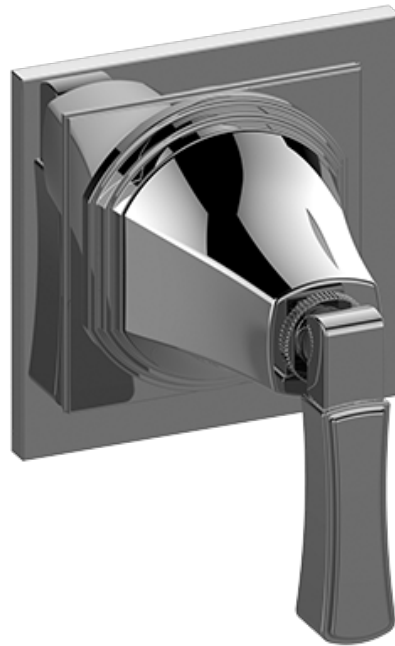
For complete warranty information go to www.graff-faucets.com/en/info/faqs



The measurements shown are for reference only. Products and specifications shown are subject to change without notice. Revised 3/2016.

www.graff-faucets.com | phone: 800-954-4723

SHOWER
 Finezza UNO Stop/Volume Control
 Trim Plate and Handle
G-8099-LM47E1-T



Information

- Single metal handle
- Decorative trim plate
- Use with G-8076 Stop/Volume Control rough valve with Pass-Through or G-8077 Stop/Volume Control rough valve
- To complete package, you must order rough valve
- ADA

Finishes



G-8099-LM47E1-T

Finezza UNO Collection

Stop/Volume Control Trim Plate and Handle

GRAFF[®]
CUTTING EDGE DESIGN



Product Features

- Single metal handle
- Decorative trim plate
- Use with G-8076 Stop/Volume Control rough valve with Pass-Through or G-8077 Stop/Volume Control rough valve
- To complete package, you must order rough valve

Available Finishes

- Polished Chrome
G-8099-LM47E1-PC-T
- Brushed Nickel
G-8099-LM47E1-BNi-T
- Polished Nickel
G-8099-LM47E1PN-T
- Olive Bronze™
G-8099-LM47E1-OB-T

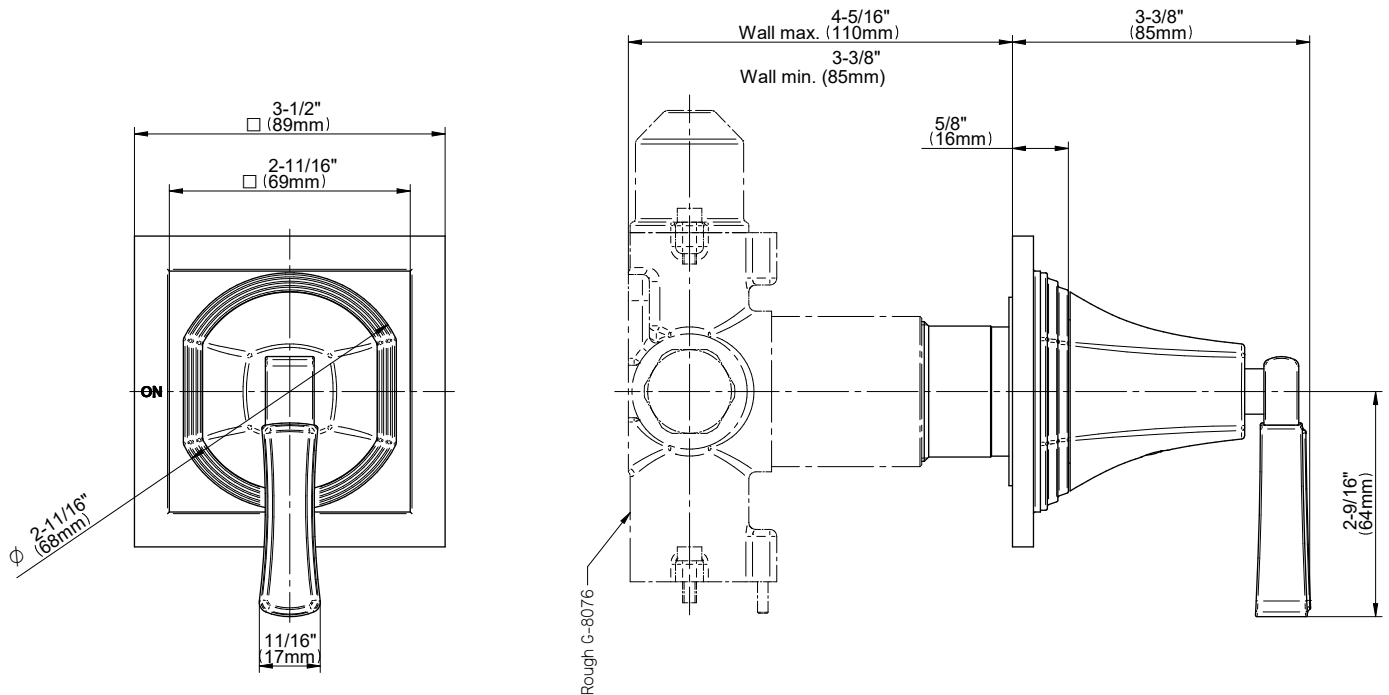
Code Compliance

- ADA

Warranty

- Limited lifetime warranty

For complete warranty information go to: www.graff-faucets.com/en/info/faqs



The measurements shown are for reference only. Products and specifications shown are subject to change without notice. Revised 7/2017

www.graff-faucets.com | phone: 800-954-4723

SHOWER
Finezza 12" Shower Arm
G-8513

GRAFF®



Information

- Includes arm and solid flange
- 1/2" NPT male thread inlet
- For use with all showerheads (especially G-8406)

Finishes



24K Gold



24K Brushed Gold



Brushed Brass PVD



Architectural Black™



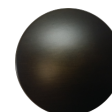
Brushed Nickel



Gunmetal



Matte Black



Olive Bronze



Onyx PVD®



Polished Brass PVD



Polished Chrome



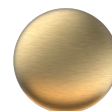
Polished Nickel



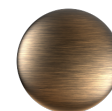
OR'osa PVD®



Unfinished Brass



Unfinished Brushed Brass



Vintage Brushed Brass



Architectural White

G-8513

Finezza Collection
12" Shower Arm

GRAFF[®]
CUTTING EDGE DESIGN



Product Features

- Includes arm and solid flange
- 1/2" NPT male thread inlet

Available Finishes

- Polished Chrome
G-8513-PC
- Brushed Nickel
G-8513-BNi
- Polished Nickel
G-8513-PN
- Olive Bronze™
G-8513-OB

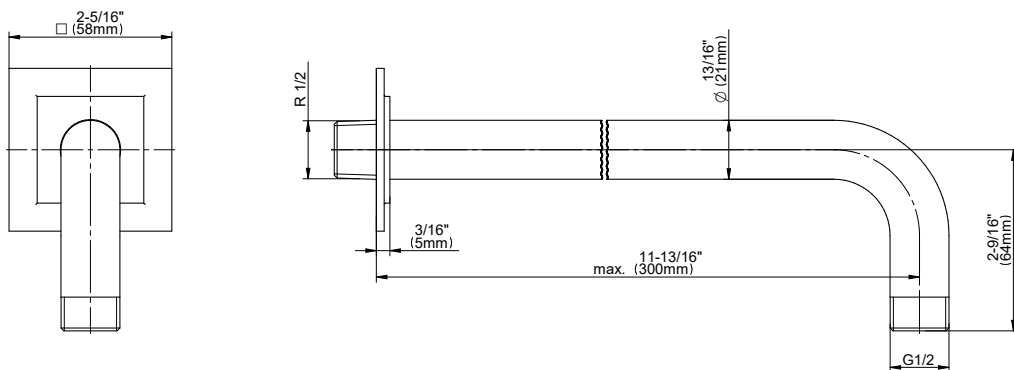
Optional Accessories

- For use with all showerheads especially G-8406-**

Warranty

- Limited lifetime warranty

For complete warranty information go to: www.graff-faucets.com/en/info/faqs



The measurements shown are for reference only. Products and specifications shown are subject to change without notice. Revised 01/2017

www.graff-faucets.com | phone: 800-954-4723



Information

- Brass spiral flexible hose with conical nut

Finishes



24K Gold



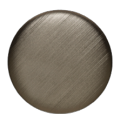
24K Brushed Gold



Brushed Brass PVD



Architectural Black™



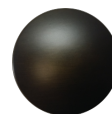
Brushed Nickel



Gunmetal



Matte Black



Olive Bronze



Onyx PVD®



Polished Brass PVD



Polished Chrome



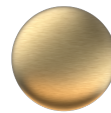
Polished Nickel



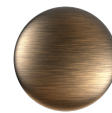
OR'osa PVD®



Unfinished Brass



Unfinished Brushed Brass



Vintage Brushed Brass



Architectural White



Product Features

- Brass spiral flexible hose with conical nut

Warranty

- Limited lifetime warranty

For complete warranty information go to www.graff-designs.com/en-nam/warranty

Available Finishes

- Polished Chrome
G-8605-PC
- Polished Nickel
G-8605-PN
- Brushed Nickel
G-8605-BNi
- Unfinished Brushed Brass*
G-8605-UBB*
- Unfinished Brass*
G-8605-UB*
- Matte Black*
G-8605-MBK*
- Architectural Black*
G-8605-BK*
- Architectural White*
G-8605-WT*
- Olive Brass*
G-8605-OB*
- Gunmetal*
G-8605-GM*
- Vintage Brushed Brass*
G-8605-VBB*
- Steelnox (Satin Nickel)
G-8605-SN
- 24K Brushed Gold*
G-8605-BAU*
- 24K Gold*
G-8605-AU*
- Gunmetal Distressed*
G-8605-GMD*

* Special order finish- call for availability





Information

- 1/2" NPT male thread inlet

Finishes



G-8643

Finezza UNO Wall Supply Elbow
Pressure Balancing Valve Trim with Handle

GRAFF®



Product Features

- 1/2" NPT male thread inlet

Available Finishes

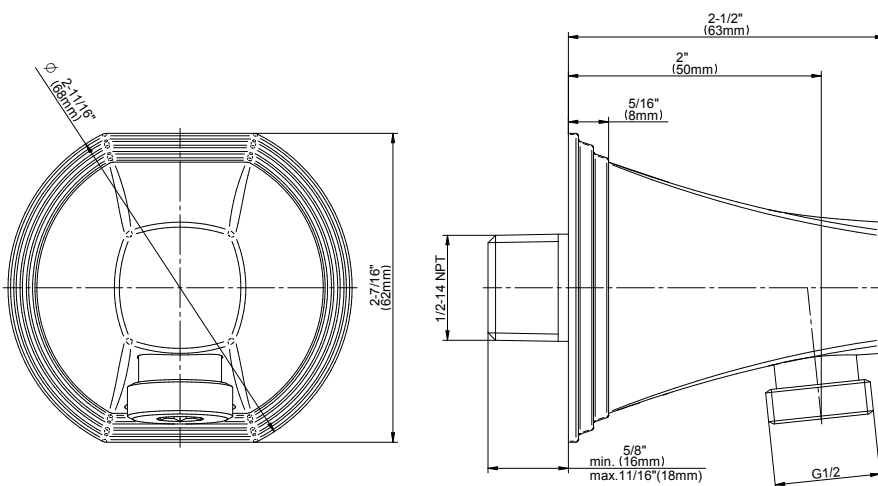
- Polished Chrome
G-8643-PC
- Brushed Nickel
G-8643-BNi
- Polished Nickel
G-8643-PN
- Olive Bronze
G-8643-OB
- Unfinished Brass*
G-8643-UB*
- Gold*
G-8643-AU*
- Brushed Gold*
G-8643-BAU*

* Special order finish- call for availability

Warranty

- Limited lifetime warranty

For complete warranty information go to
<https://www.graff-faucets.com/en/info/faqs>



The measurements shown are for reference only. Products and specifications shown are subject to change without notice. Revised 5/2018.

www.graff-designs.com | phone: 800-954-4723

SHOWER
Finezza UNO Wall Bracket for
Handshower
G-8652

GRAFF®



Information

- Solid brass construction

Finishes



24K Gold



24K Brushed
Gold



Brushed Brass
PVD



Architectural
Black™



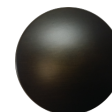
Brushed
Nickel



Gunmetal



Matte Black



Olive Bronze



Onyx PVD®



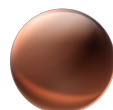
Polished Brass
PVD



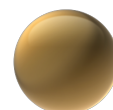
Polished
Chrome



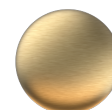
Polished
Nickel



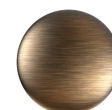
OR'osa PVD®



Unfinished
Brass



Unfinished
Brushed Brass



Vintage
Brushed Brass



Architectural
White

G-8652

Finezza UNO Collection

Finezza UNO Wall Bracket for Handshower



Product Features

- Solid brass construction

Available Finishes

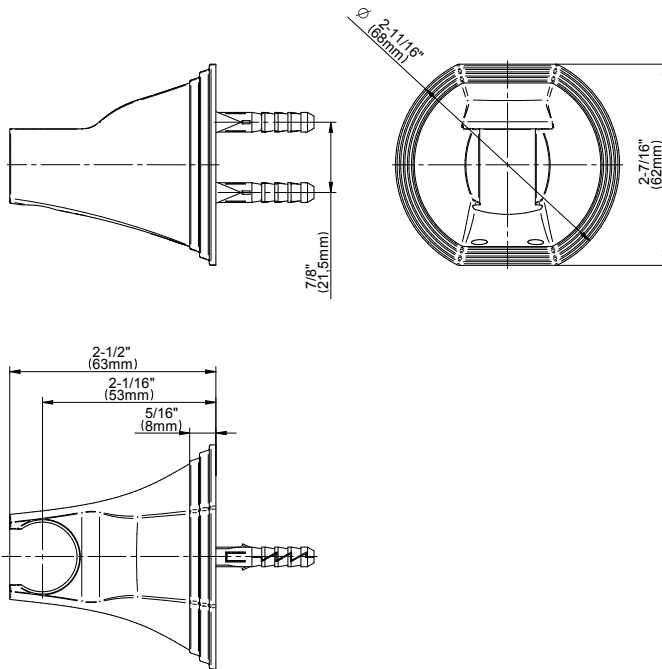
- Polished Chrome
G-8652-PC
- Brushed Nickel
G-8652-BNi
- Polished Nickel
G-8652-PN
- Olive Bronze
G-8652-OB
- Unfinished Brass*
G-8652-UB*
- Gold*
G-8652-AU*
- Brushed Gold*
G-8652-BAU*

* Special order finish- call for availability

Warranty

- Limited lifetime warranty

For complete warranty information go to <https://www.graff-faucets.com/en/info/faqs>



The measurements shown are for reference only. Products and specifications shown are subject to change without notice. Revised 5/2018.

www.graff-designs.com | phone: 800-954-4723



Information

- Solid brass construction
- All-metal handle
- Shower hose not included
- Includes internal backflow preventer
- Handshower flow rate ≤ 1.8 max gpm
- CALGreen

Finishes

| | | | | | | | |
|---|---|---|---|---|---|---|---|
|  |  |  |  |  |  |  |  |
| 24K Gold | 24K Brushed Gold | Brushed Brass PVD | Architectural Black™ | Brushed Nickel | Gunmetal | Matte Black | Olive Bronze |
|  |  |  |  |  |  |  |  |
| Onyx PVD® | Polished Brass PVD | Polished Chrome | Polished Nickel | OR'osa PVD® | Unfinished Brass | Unfinished Brushed Brass | Vintage Brushed Brass |
|  | | | | | | | |
| Architectural White | | | | | | | |

G-8724

Finezza Collection
Finezza Handshower

GRAFF®



Product Features

- Solid brass construction
- Smooth, all-metal handle
- Shower hose not included
- Handshower flow rate ≤ 1.5 max gpm
- Includes internal backflow preventer

Available Finishes

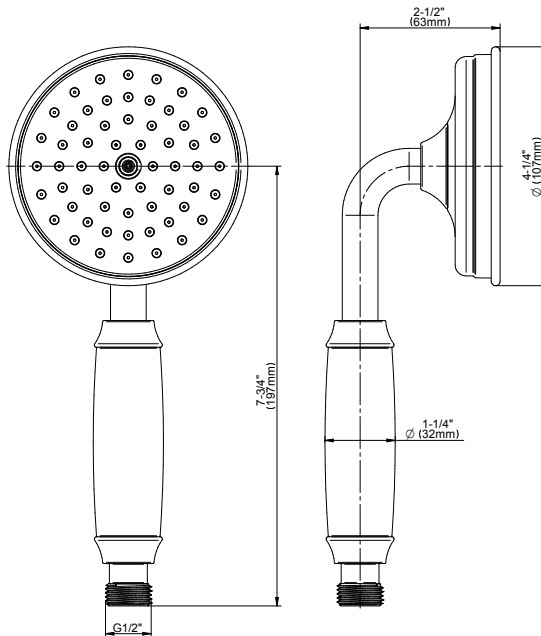
- Polished Chrome
G-8724-PC
- Brushed Nickel
G-8724-BNi
- Polished Nickel
G-8724-PN
- Olive Bronze
G-8724-OB
- Unfinished Brass*
G-8724-UB*
- Gold*
G-8724-AU*
- Brushed Gold*
G-8724-BAU*

* Special order finish- call for availability

Warranty

- Limited lifetime warranty

For complete warranty information go to
<https://www.graff-faucets.com/en/info/faqs>

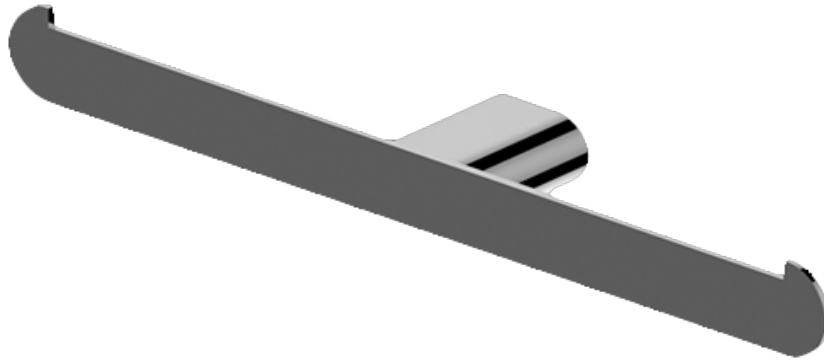


The measurements shown are for reference only. Products and specifications shown are subject to change without notice. Revised 5/2018.

www.graff-designs.com | phone: 800-954-4723

SHOWER
Phase/Terra Tissue Holder and
Towel Bar
G-9406

GRAFF®



Finishes



24K Gold



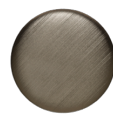
24K Brushed
Gold



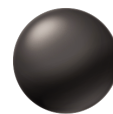
Brushed Brass
PVD



Architectural
Black™



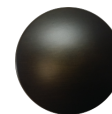
Brushed
Nickel



Gunmetal



Matte Black



Olive Bronze



Onyx PVD®



Polished Brass
PVD



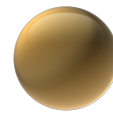
Polished
Chrome



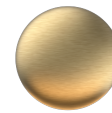
Polished
Nickel



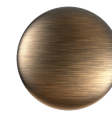
OR'osa PVD®



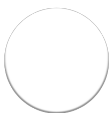
Unfinished
Brass



Unfinished
Brushed Brass



Vintage
Brushed Brass



Architectural
White

G-9406

Accessories Series

