



INDOOR PRESERVATION

Refrigerators, Freezers and Wine Storage

KRP / KRB / KRC / KFC / KWC / KRW

Installation Manual

 HESTAN

⚠️ WARNING

IF THE INFORMATION IN THIS MANUAL IS NOT FOLLOWED EXACTLY, A FIRE OR EXPLOSION MAY RESULT CAUSING PROPERTY DAMAGE, PERSONAL INJURY, OR DEATH.

Do not store or use gasoline or other flammable vapors and liquids in the vicinity of this or any other appliance.

Installation and service must be performed by a qualified installer or service agency.

DO NOT REPAIR, REPLACE OR REMOVE ANY PART OF THE APPLIANCE UNLESS SPECIFICALLY RECOMMENDED IN THE MANUAL. IMPROPER INSTALLATION, SERVICE OR MAINTENANCE CAN CAUSE INJURY OR PROPERTY DAMAGE. REFER TO THIS MANUAL FOR GUIDANCE. ALL OTHER SERVICING SHOULD BE DONE BY A QUALIFIED TECHNICIAN.

READ THESE INSTRUCTIONS CAREFULLY AND COMPLETELY BEFORE INSTALLING OR USING YOUR APPLIANCE TO REDUCE THE RISK OF FIRE, BURN HAZARD, OR OTHER INJURY. KEEP THIS MANUAL FOR FUTURE REFERENCE.

SAFETY DEFINITIONS

⚠️ WARNING

THIS INDICATES THAT DEATH OR SERIOUS INJURY MAY OCCUR AS A RESULT OF NOT OBSERVING THIS WARNING

⚠️ CAUTION

THIS INDICATES THAT MINOR OR MODERATE INJURY MAY OCCUR AS A RESULT OF NOT OBSERVING THIS WARNING.

NOTICE

THIS INDICATES THAT DAMAGE TO THE APPLIANCE OR PROPERTY MAY OCCUR AS A RESULT OF NOT OBSERVING THIS WARNING.

INSTALLER: LEAVE THIS MANUAL WITH THE OWNER OF THE APPLIANCE.
HOMEOWNER: RETAIN THIS MANUAL FOR FUTURE REFERENCE.

TABLE OF CONTENTS

1	SAFETY PRECAUTIONS - BEFORE YOU BEGIN
2	MODEL NUMBERS
3	RATING LABEL
3	REGULATORY / CODE REQUIREMENTS
4	IMPORTANT CHILD SAFETY
4	LOCATION AND PREPARATION
12	CONNECTIONS
15	OVERLAY PANELS
27	FINAL INSTALLATION
36	TESTING AND INITIAL START UP
38	PARTS AND SERVICE

SAFETY PRECAUTIONS - BEFORE YOU BEGIN

When properly cared for, your Hestan appliance will provide safe, reliable service for many years. When using this appliance, basic safety practices must be followed as outlined below.

IMPORTANT: Save these instructions for the local Utility Inspector's use.

INSTALLER: Please leave these Installation Instructions with the owner.

OWNER: Please retain these Installation Instructions for future reference.

This appliance is NOT designed for installation in manufactured (mobile) homes or recreational park trailers. Do NOT install this appliance outdoors.

⚠ WARNING

ELECTRICAL SHOCK HAZARD

Disconnect power before installing or servicing appliance. Failure to do so can result in death or electrical shock.

ELECTRICAL GROUNDING

- This appliance must be grounded. Grounding reduces the risk of electric shock in the event of a short circuit. Read the CONNECTIONS section of this manual for complete instructions.
- DO NOT ground to a gas pipe.
- DO NOT use an extension cord with this appliance.
- DO NOT have a fuse in the NEUTRAL or GROUNDING circuit. A fuse in the NEUTRAL or GROUNDING circuit could result in an electrical shock.



MODEL NUMBERS

REFRIGERATION MODELS

Model	Description
KRPR36	Bottom Mount Refrigerator, Top Compressor, Pro, Right Hinged, 36"
KRPL36	Bottom Mount Refrigerator, Top Compressor, Pro, Left Hinged, 36"
KRPR36-XX	Bottom Mount Refrigerator, Top Compressor, Pro, Color, Right Hinged, 36"
KRPL36-XX	Bottom Mount Refrigerator, Top Compressor, Pro, Color, Left Hinged, 36"
KRBR36	Bottom Mount Refrigerator, Bottom Compressor, Right Hinged, 36"
KRBL36	Bottom Mount Refrigerator, Bottom Compressor, Left Hinged, 36"
KRBR36-OV	Bottom Mount Refrigerator, Bottom Compressor, Overlay, Right Hinged, 36"
KRBL36-OV	Bottom Mount Refrigerator, Bottom Compressor, Overlay, Left Hinged, 36"
KRBR36-XX	Bottom Mount Refrigerator, Bottom Compressor, Color, Right Hinged, 36"
KRBL36-XX	Bottom Mount Refrigerator, Bottom Compressor, Color, Left Hinged, 36"
KRCR24	Refrigerator Column, Right Hinged, 24"
KRCL24	Refrigerator Column, Left Hinged, 24"
KRCR24-OV	Refrigerator Column, Overlay, Right Hinged, 24"
KRCL24-OV	Refrigerator Column, Overlay, Left Hinged, 24"
KRCR24-XX	Refrigerator Column, Color, Right Hinged, 24"
KRCL24-XX	Refrigerator Column, Color, Left Hinged, 24"
KRCR30	Refrigerator Column, Right Hinged, 30"
KRCL30	Refrigerator Column, Left Hinged, 30"
KRCR30-OV	Refrigerator Column, Overlay, Right Hinged, 30"
KRCL30-OV	Refrigerator Column, Overlay, Left Hinged, 30"
KRCR30-XX	Refrigerator Column, Color, Right Hinged, 30"
KRCL30-XX	Refrigerator Column, Color, Left Hinged, 30"

FREEZER MODELS

Model	Description
KFCR18	Freezer Column, Right Hinged, 18"
KFCL18	Freezer Column, Left Hinged, 18"
KFCR18-OV	Freezer Column, Overlay, Right Hinged, 18"
KFCL18-OV	Freezer Column, Overlay, Left Hinged, 18"
KFCR18-XX	Freezer Column, Color, Right Hinged, 18"
KFCL18-XX	Freezer Column, Color, Left Hinged, 18"
KFCR24	Freezer Column, Right Hinged, 24"
KFCL24	Freezer Column, Left Hinged, 24"
KFCR24-OV	Freezer Column, Overlay, Right Hinged, 24"
KFCL24-OV	Freezer Column, Overlay, Left Hinged, 24"
KFCR24-XX	Freezer Column, Color, Right Hinged, 24"
KFCL24-XX	Freezer Column, Color, Left Hinged, 24"
KFCR30	Freezer Column, Right Hinged, 30"
KFCL30	Freezer Column, Left Hinged, 30"
KFCR30-OV	Freezer Column, Overlay, Right Hinged, 30"
KFCL30-OV	Freezer Column, Overlay, Left Hinged, 30"
KFCR30-XX	Freezer Column, Color, Right Hinged, 30"
KFCL30-XX	Freezer Column, Color, Left Hinged, 30"

MODEL NUMBERS (CONT)

WINE MODELS

Model No.	Description
KWCR18	Wine Column, Right Hinged, 18"
KWCL18	Wine Column, Left Hinged, 18"
KWCR18-OV	Wine Column, Overlay, Right Hinged, 18"
KWCL18-OV	Wine Column, Overlay, Left Hinged, 18"
KWCR18-XX	Wine Column, Color, Right Hinged, 18"
KWCL18-XX	Wine Column, Color, Left Hinged, 18"
KWCR24	Wine Column, Right Hinged, 24"
KWCL24	Wine Column, Left Hinged, 24"
KWCR24-OV	Wine Column, Overlay, Right Hinged, 24"
KWCL24-OV	Wine Column, Overlay, Left Hinged, 24"
KWCR24-XX	Wine Column, Color, Right Hinged, 24"
KWCL24-XX	Wine Column, Color, Left Hinged, 24"
KRWR24	Refrigerator with Wine, Right Hinged, 24"
KRWL24	Refrigerator with Wine, Left Hinged, 24"
KRWR24-OV	Refrigerator with Wine, Overlay, Right Hinged, 24"
KRWL24-OV	Refrigerator with Wine, Overlay, Left Hinged, 24"
KRWR24-XX	Refrigerator with Wine, Color, Right Hinged, 24"
KRWL24-XX	Refrigerator with Wine, Color, Left Hinged, 24"

NOTE: -XX indicates color model.



-BK for Stealth - Black	-WH for Froth - White	-RD for Matador - Red
-YW for Sol - Yellow	-OR for Citra - Orange	-BG for Tin Roof - Burgundy
-PP for Lush - Purple	-BU for Prince - Blue	-GR for Grove - Green
-GG for Pacific Fog - Graphite Gray		-TQ for Bora Bora – Turquoise

RATING LABEL

The rating label contains important information about your Hestan appliance such as the model, serial number, and electrical rating.

The rating label is located on the inside wall of the appliance.

If service is necessary, contact Hestan Customer Care with the model and serial number information shown on the label.

HESTAN COMMERCIAL CORP. ANAHEIM, CA - USA			
Fridge Gas Fill Charge Quantité de Gaz Réfrigérateur	4,5 oz	MODEL	
Freezer Gas Fill Charge Quantité de Gaz Congélateur	4,2 oz	CODE	
Total Absorbed Current Courant Absorbée Totale	4,8 A	KRPR36	
Voltage Tension	115 V	SER.NO./N° SERIE	F2020000000001
Frequency Frequence	60 Hz		
Refrigerant Gas Type Type de Gaz Réfrigérateur	R134a		ETL LISTED CONFORMS TO ANSI/UL STD 250 CERTIFIED TO CAN/CSA STD C22.2 NO.63
Made in Italy			

TYPICAL RATING LABEL

REGULATORY / CODE REQUIREMENTS

Installation of this appliance must be made in accordance with local codes. In the absence of local codes, this unit should be installed in accordance with the National Electrical Code and local codes.

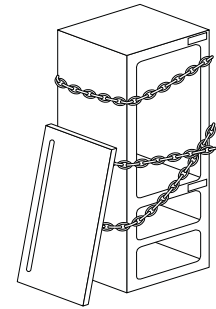
This appliance must be electrically grounded in accordance with local codes or in the absence of local codes with the National Electrical Code *ANSI/NFPA 70*, or Canadian Electrical code *CSA C22.1*.

IMPORTANT CHILD SAFETY

⚠️ WARNING

Risk of child entrapment. Before you throw away your old refrigerator or freezer:

- Take off the doors
- Leave the shelves in place so that children may not easily climb inside.



LOCATION AND PREPARATION

PREPARATION AND UNPACKING

Before moving the refrigerator:

- Protect any finished flooring to prevent damage.
- The grille and trim pieces are packaged on the back of the unit. Handles and other items may also be packaged on the back. Remove all such items before removing the appliance from the pallet. See "PREPARING THE INSTALLATION" on page 10 for additional information.
- Make sure that power can be provided to the location selected.

PACKAGED DIMENSIONS AND WEIGHTS

	Width	Height	Depth	Weight
18" Models	28-11/32" [720 mm]	89" [2260 mm]	30-1/8" [765 mm]	342 lb [155 kg]
24" Models	28-11/32" [720 mm]	89" [2260 mm]	30-1/8" [765 mm]	507 lb [230 kg]
30" Models	34-1/4" [870 mm]	89" [2260 mm]	30-1/8" [765 mm]	606 lb [275 kg]
36" Models	40-5/32" [1020 mm]	89" [2260 mm]	30-1/8" [765 mm]	650 lb [295 kg]

ELECTRICAL AND WATER SUPPLY

Electrical requirement: 115V 60Hz 15A

Units with icemaker: Connect to potable water only.

Supply pressure: If using external filtration, from 7.3 to 73 psi [0.5 - 5.0 Bar]

If using supplied water filter, from 25.4 to 73 psi [1.75 - 5.0 Bar].

Water supply tube: 3/4" female attachment (see the notice on page 13 for details)

PROVIDED INSTALLATION ACCESSORIES

Customized panel mounting kit (included with -OV models only)

Anti-tip kit

Lateral/side connecting kit

See "PREPARING THE INSTALLATION" on page 10 for unpacking information.

TOOLS

The following tools are needed for the installation of the appliance:

- Phillips screw driver
- Drill and 1/8" drill bit, plus 3/8" bit for masonry
- 17mm (or 11/16") open-end or adjustable wrench
- 13mm (or 1/2") socket, extension, and handle
- 2.5 mm and 4mm allen wrenches

If installing two units together

- Hand rivet tool (Pop rivet gun)

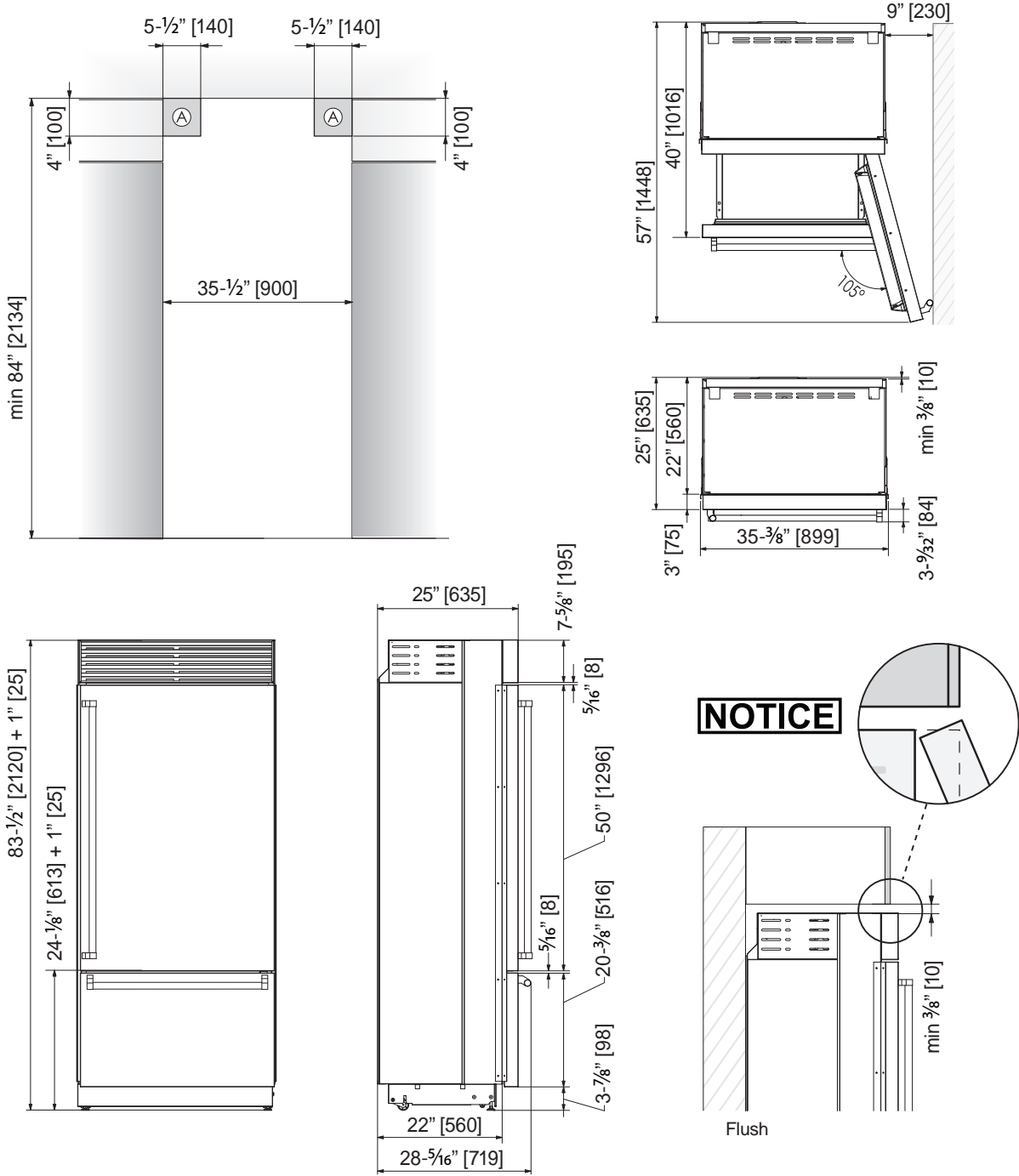
LOCATION AND PREPARATION (CONT.)

INSTALLATION CUT-OUT - KRP MODELS

Cut-out Height	84" [2134 mm]	Cut-out Width	35-1/2" [900 mm]
Door Swing Clearance	57" [1448 mm]	Door Opening Angle	105°
Width	35-3/8" [899 mm]	Height	83-1/2" [2120 mm] + 1" [25 mm]
Depth with door	25" [635 mm]		

EN

Ⓐ Area to be left clear for the anti-tip brackets



NOTICE

Flush

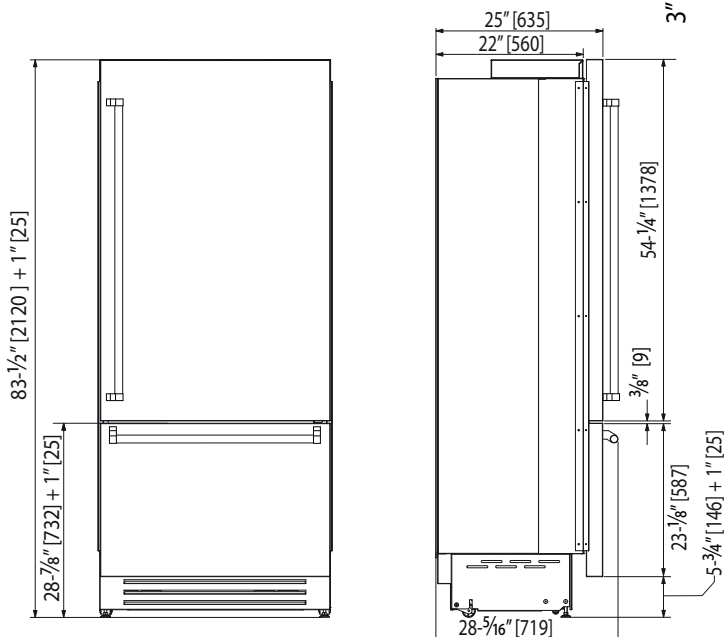
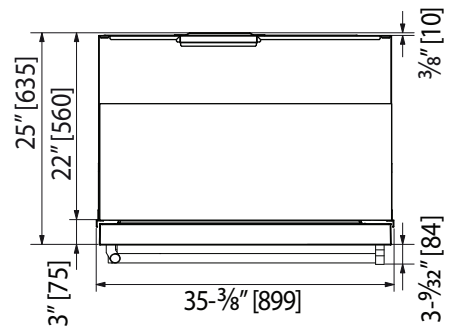
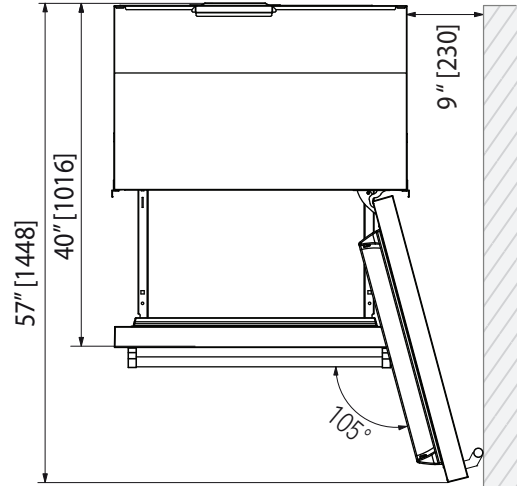
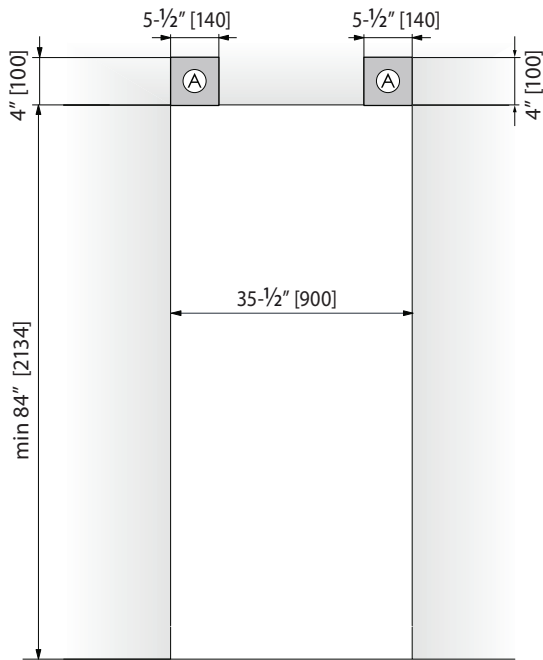
LOCATION AND PREPARATION (CONT.)

INSTALLATION CUT-OUT - KRB MODELS - SS OR COLOR

EN

Cut-out Height	84" [2134 mm]	Cut-out Width	35-1/2" [900 mm]
Door Swing Clearance	57" [1448 mm]	Door Opening Angle	105°
Width	35-3/8" [899 mm]	Height	83-1/2" [2120 mm] + 1" [25 mm]
Depth with door	25" [635 mm]		

Ⓐ Area to be left clear for the anti-tip brackets



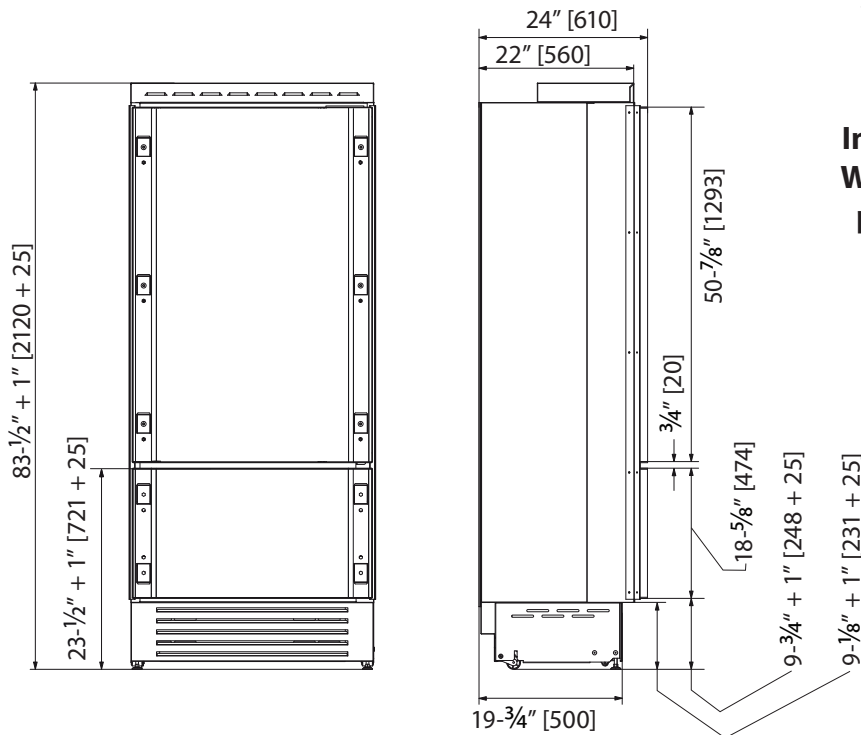
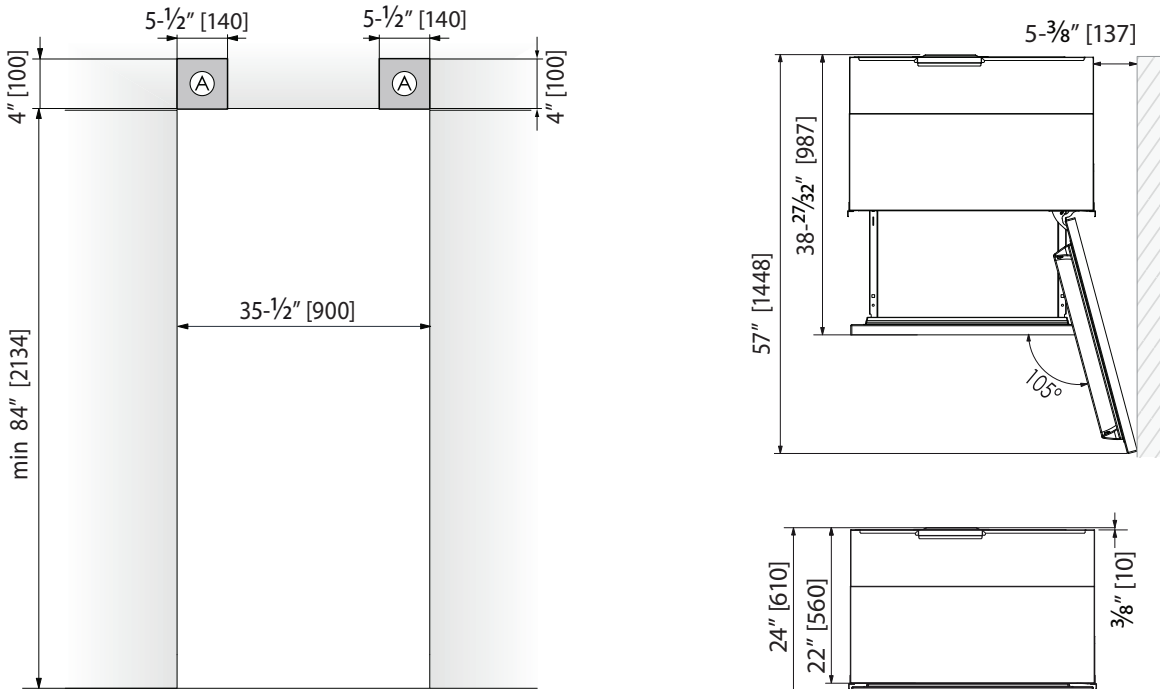
LOCATION AND PREPARATION (CONT.)

INSTALLATION CUT-OUT - KRB-OV MODELS WITH OVERLAY

EN

Cut-out Height	84" [2134 mm]	Cut-out Width	35-1/2" [900 mm]
Door Swing Clearance	57" [1448 mm]	Door Opening Angle	105°
Width	35-3/8" [899 mm]	Height	83-1/2" [2120 mm] + 1" [25 mm]
Depth with door (without panel)	24" [610 mm]		

Ⓐ Area to be left clear for the anti-tip brackets



Images show unit WITHOUT overlay panel attached.

LOCATION AND PREPARATION (CONT.)

INSTALLATION CUT-OUT - KRC, KFC, KWC, KRW-OV MODELS WITH OVERLAY

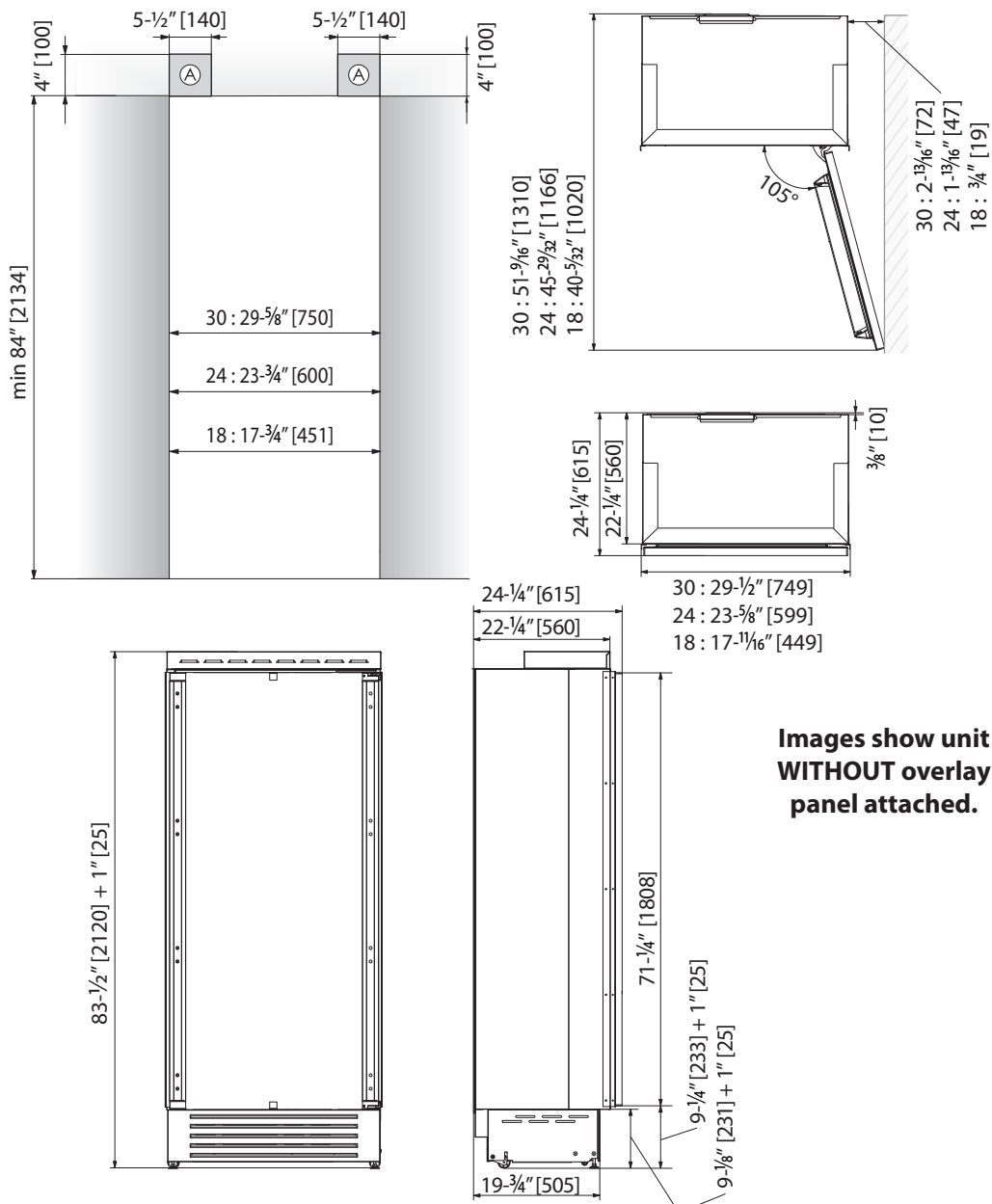
18", 24" AND 30" COLUMN REFRIGERATORS AND FREEZERS

18", 24" WINE COLUMN AND 24" REFRIGERATOR WITH WINE

EN

Cut-out Height		Cut-out Width	
18" models	84" [2134 mm]	18" models	17-3/4" [451 mm]
24" models	84" [2134 mm]	24" models	23-3/4" [600 mm]
30" models	84" [2134 mm]	30" models	29-5/8" [750 mm]
Door Swing Clearance		Width	
18" models	40-5/32" [1020 mm]	18" models	17-11/16" [449 mm]
24" models	45-29/32" [1166 mm]	24" models	23-5/8" [599 mm]
30" models	51-9/16" [1310 mm]	30" models	29-1/2" [749 mm]
Door Opening Angle		105°	
Height		83-1/2" [2120 mm] + 1" [25 mm]	
Depth with door (without panel)		24-1/4" [615 mm]	

Ⓐ Area to be left clear for the anti-tip brackets



Images show unit
WITHOUT overlay
panel attached.

LOCATION AND PREPARATION (CONT.)

PREPARING THE INSTALLATION

Transport to installation site and unpacking

Since this is a large and heavy appliance, before transporting the appliance, check the access to the location where it will be installed (door size, maneuvering space in stairwells, etc.).

NOTICE

The side trim, door handles (non OV models), grill, and possibly other items will be packaged on the back of the appliance. Be sure to remove those items and related packaging before attempting to remove appliance from pallet.

The appliance is attached to the base of the packaging (pallet) through four bolts which can be removed using a 17 mm (11/16") wrench.

It is recommended to use a pallet jack or other transporting device to move the appliance to the installation site, and only at this point to remove the base of the packaging.

CAUTION

The appliance should always be transported in a vertical position. If this is not possible, transport the appliance laying on its rear side.

Once at the installation site, the appliance, which is equipped with four wheels, can be taken off the pallet and positioned in the installation area.

Removing appliance from pallet:

- 1) Take off the four bolts ① securing the appliance to the pallet by means of a 17 mm (11/16")wrench.
- 2) Remove the rear hold down brackets ④.
- 3) To remove the front fixing brackets ③, unscrew the rear wheel adjusting bolts ② one or two turns using a 13 mm wrench. This will release the front fixing brackets ③ so you can remove them.
- 4) From the back of the unit and by means of a suitable, heavy-duty hand truck, remove the appliance and place it on the floor.

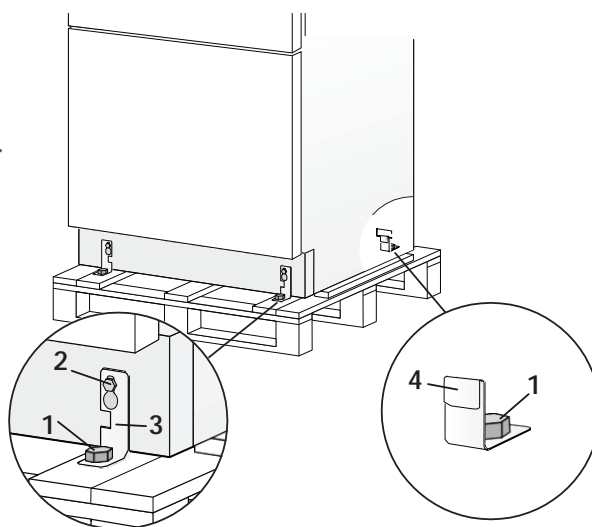
Be very careful to avoid any damage to floors. Delicate floors should be protected with plywood, hard cardboard or similar.

WARNING

The appliance is very heavy. Take great care during handling to avoid injury.

NOTICE

The appliance should always be transported in a vertical position. Avoid at all costs leaning it on its front side.



LOCATION AND PREPARATION (CONT)

Additional included items

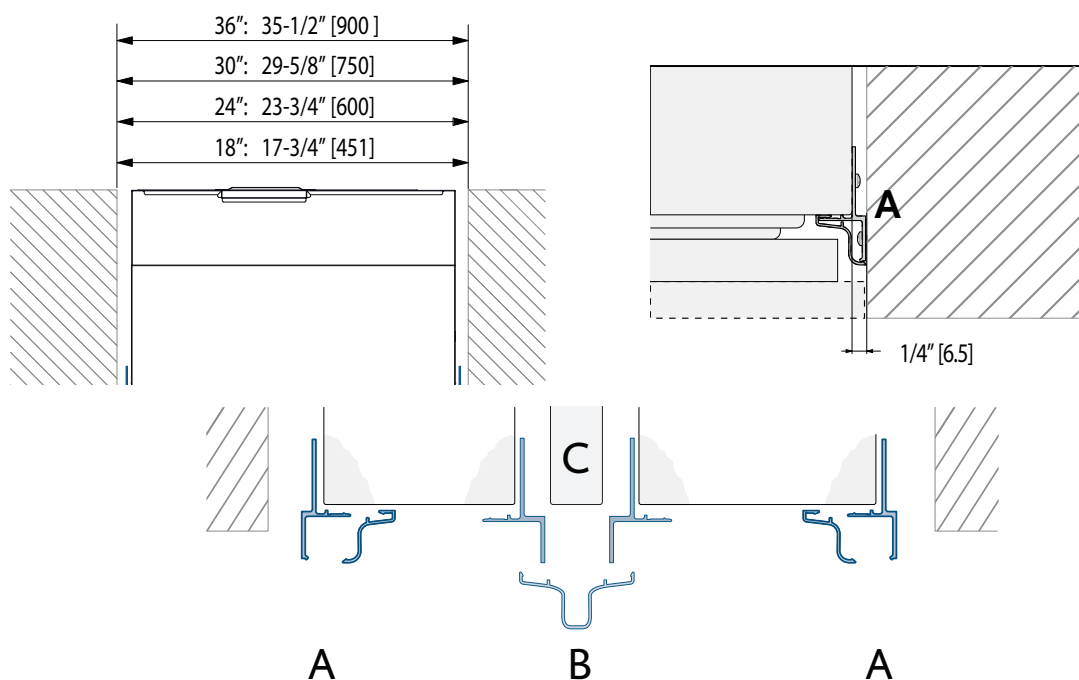
Several items are shipped inside the appliance. These include:

- Manuals
- Wood panels installation hardware (-OV models)
- Water connection fitting, water filter (models with ice maker)
- Anti-tip brackets
- Care items - polishing cloth and/or sponge.

EN

CUT-OUT DIMENSIONS AND INSTALLATION METHODS - FLUSH

Models	Cut-out	Panel Width
KRB36 Models	35-1/2" [900 mm]	35-1/4" [897 mm]
30" Columns (KxCx30)	29-5/8" [750 mm]	29-3/8" [747 mm]
24" Columns and Wine (KxCx24, KRWx24)	23-3/4" [600 mm]	23-1/2" [597 mm]
18" Columns (KxCx18)	17-3/4" [451 mm]	17-1/2" [445 mm]

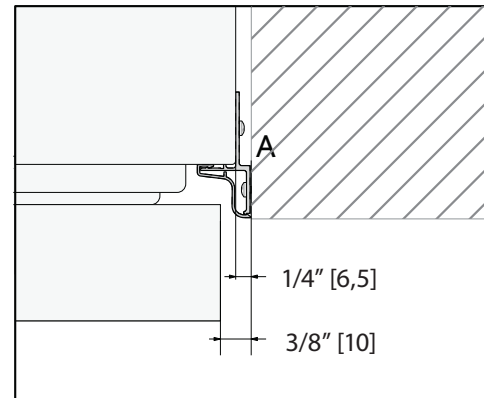
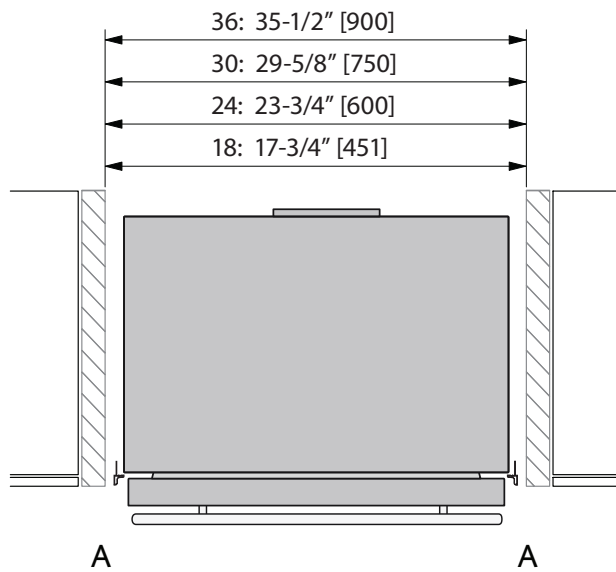


- A Lateral/side connection kit (included accessory) (SEE NOTE ON Page 27)
 AKRLJK (for KRB, KRC, KFC, KWC and KRW Models)
 AKRLJKP (for KRP Models)
- B Central connection kit, required when joining 2 units
 (not included - must be ordered as a separate accessory)
 AKRCJK-OV for KRB, KRC, KFC, KWC and KRW Models with overlay front
 AKRCJK for KRB, KRC, KFC, KWC and KRW Models with stainless or colored front
 AKRCJKP for KRP Models
- C Anti-Condensation kit # AKRACPP, required when joining two KRP units.
 (not included - must be ordered as a separate accessory)

LOCATION AND PREPARATION (CONT.)

CUT-OUT DIMENSIONS AND INSTALLATION METHODS - NON-FLUSH

If installing non-flush, the same side trim is used and the same cutout width is required.



A: Lateral / side connection kit
(SEE NOTE ON PG. 27)

CONNECTIONS

ELECTRICAL AND WATER CONNECTION

CAUTION


Do not use extension cords and/or multiple adapters for the power supply connection.

Do not use extension cords or adapters.

The built-in Hestan filter cannot make any water safe to drink, it must be used with water that is already suitable for human consumption.

NOTICE

Water supply alarm:

If the water supply must be turned off after the the appliance is fully installed, connected to the water supply (if applicable) and operational, touch the On/Off switch  to turn the unit off first to avoid a 'NO WATER IN' alarm.

CONNECTIONS (CONT.)

The appliances are delivered from the factory for operation at 110V-120V AC - 60Hz (US and Canada). They are provided with a suitable supply cord and plug to be connected to an appropriate 15A socket (US and Canada) provided with an effective grounding.

A circuit breaker should also be installed and should be easily accessible so that it can be easily switched off before performing any installation or maintenance.

To connect to the water supply system (for appliances equipped with ice makers) a 1/4" water line with accessible shut-off valve must be supplied.

The appliance is provided with a water adapter elbow which is suitable for high water pressure and complies with appropriate regulations. The water filter cartridge provided with the appliance should be installed according to the accompanying instructions.

KRP, KRB models have the water filter mounted above the refrigerator compartment above the glass panel.

KFC models are provided with a water filter assembly which must be mounted outside the unit.

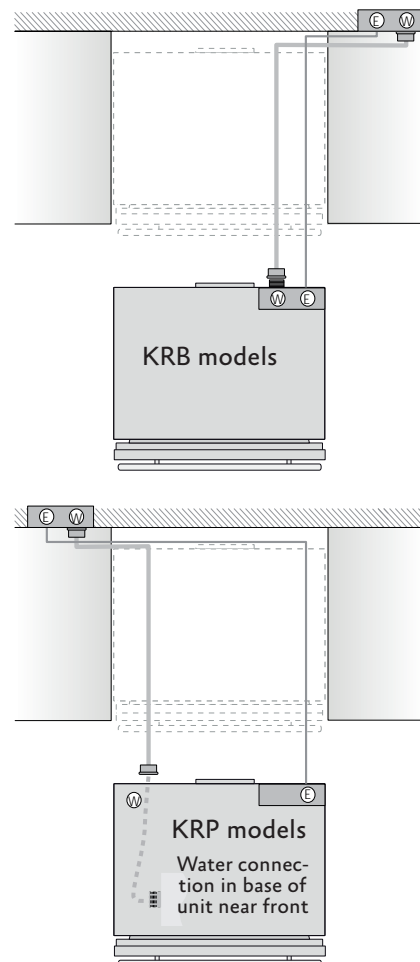
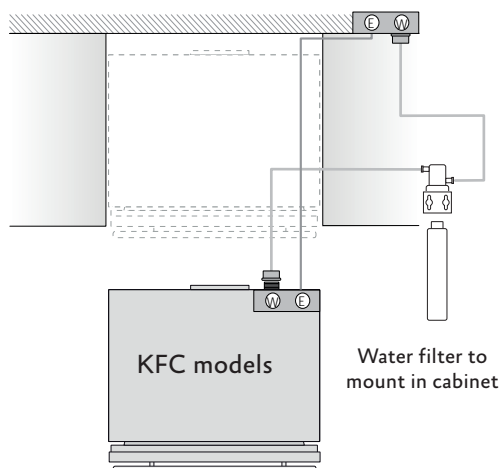
NOTICE

Use only the new adapter which is supplied with the appliance. The solenoid connection on the appliance looks like 3/4" diameter but is metric threaded. A standard garden hose threaded connector such as a braided stainless hose found at typical hardware stores will strip or damage the solenoid threads. Use only the supplied 1/4" quick connect elbow adapter for connecting a 1/4" copper or polyethylene source water line to the appliance.

Electrical cord length: 78-3/4" [2000 mm]

Water connection line length: 98-3/8" [2500 mm]

See following page for additional information.




CONNECTIONS (CONT.)

KRP MODELS

Connect as follows:

Unwind the electric cord and connect it directly to the wall socket.

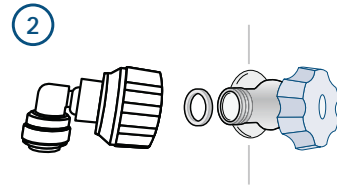
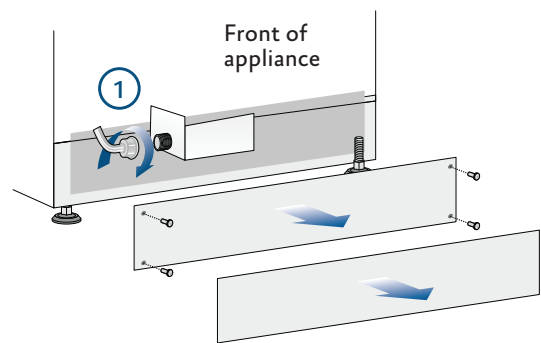
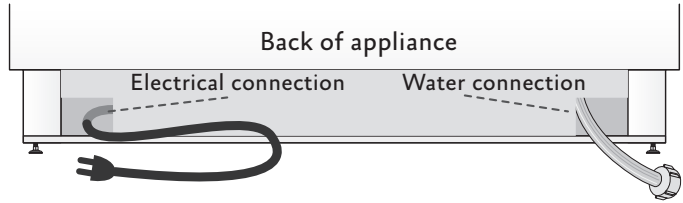
Observe the information display. If the appliance is not in Stand-by condition or if any lights are on, press the On/Off  button for three seconds to switch it off.

Connect the water line to the threaded connection at the base of the unit. (1)

Fit the other end of the hose (2) to the water valve, use the gaskets provided in the Owner's Kit.

Firmly tighten by hand - a tool/wrench should not be needed to make a proper seal.


Turn on the water and ensure all connections are not leaking prior to pushing the unit into the opening.



ALL OTHER MODELS

Connect as follows:

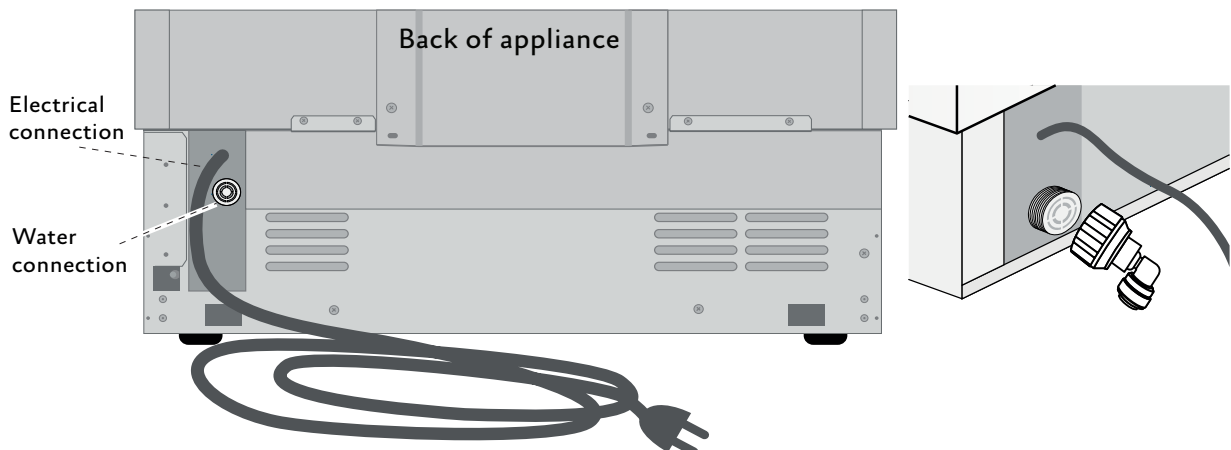
Unwind the electric cord and connect it directly to the wall socket.

Observe the information display. If the appliance is not in Stand-by condition or if any lights are on, press the On/Off  button to switch it off.

Push the 1/4" source waterline fully into the elbow connector then thread the elbow adapter to the solenoid at the back of the appliance.

Firmly tighten by hand - a tool or wrench should not be needed to make a proper seal.

Turn on the water and ensure all connections are not leaking prior to pushing the unit into the niche.



OVERLAY PANELS

DOOR AND DRAWER OVERLAY PANEL PREPARATION

Decorative panels:

The dimensions of the panels are indicated in the table and drawings on following pages.

To align panels with other kitchen structures, sizes can be adjusted if the door panel needs to be higher than the upper edge of the refrigerator door, and/or the drawer panel needs to be lower than the edge of the drawer.

The panels must be mounted using special braces which attach to adjustable devices provided on the door and drawer and with brackets that anchor and adjust the panel's vertical direction.

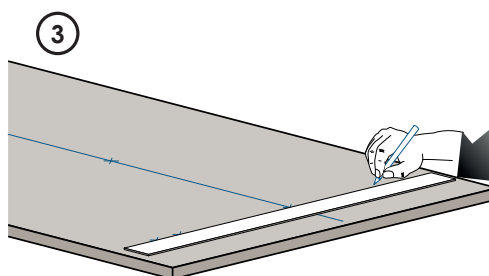
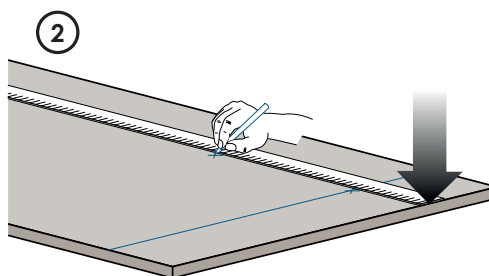
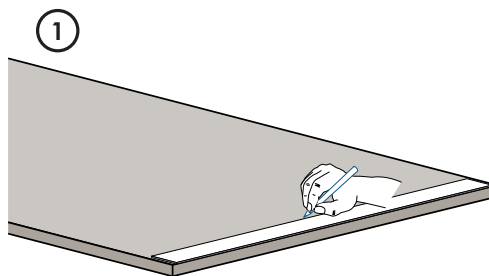
Braces, brackets and fixing screws are provided with the appliance and must be applied to the panel as indicated.

Layout procedure:

To prepare the panels to be mounted on the appliance, follow these steps, working on the back of the panel.

Door Panel

- 1) Trace a line dividing the panel width in half. (1)
- 2) Starting from the bottom edge of the panel, mark the positioning of the brackets. (2)
- 3) Following the corresponding table, mark the external and then the internal hole. (3)



OVERLAY PANELS (CONT.)

DOOR AND DRAWER OVERLAY PANEL PREPARATION (continued)

Mounting the Brackets

- 4) Position the brackets on each set of marks to make sure they are aligned. (4)

Note that the support bracket mounts with its flange toward the top of the door.

- If necessary, drill starter holes in the panel. (5)
(Use a drill stop to avoid drilling through or damaging the finish surface.)

NOTICE

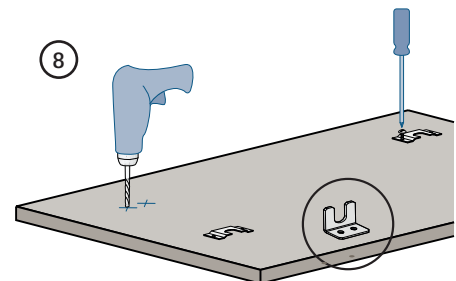
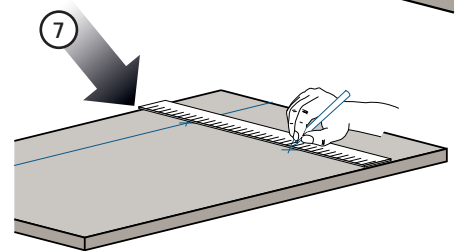
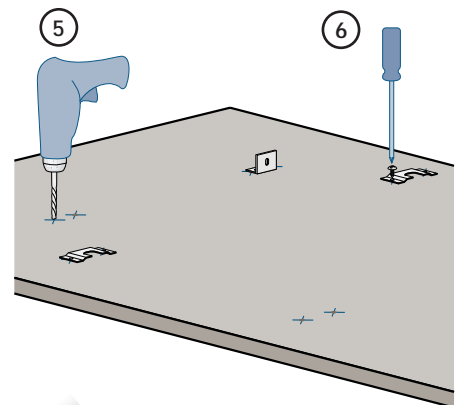
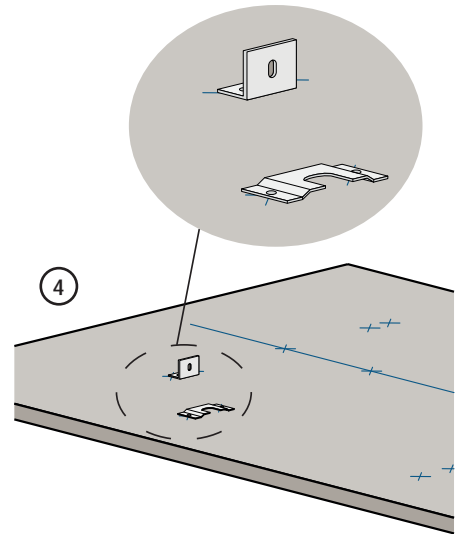
The installation kit includes 5/8" screws. If the panel isn't substantially thicker than 5/8", you'll need shorter screws.

- 1) Screw the brackets in place. (6)

Drawer Panel

When preparing the Drawer Panel, follow the same instructions as per the door panel, but make sure measurements are taken starting from the top edge. (7)

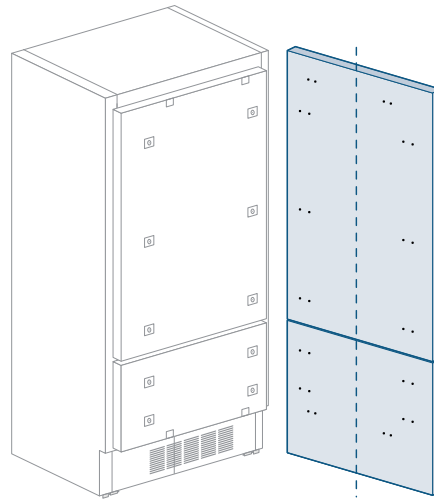
The support bracket faces the opposite way from the door panel bracket. (Compare images 4 and 8.)



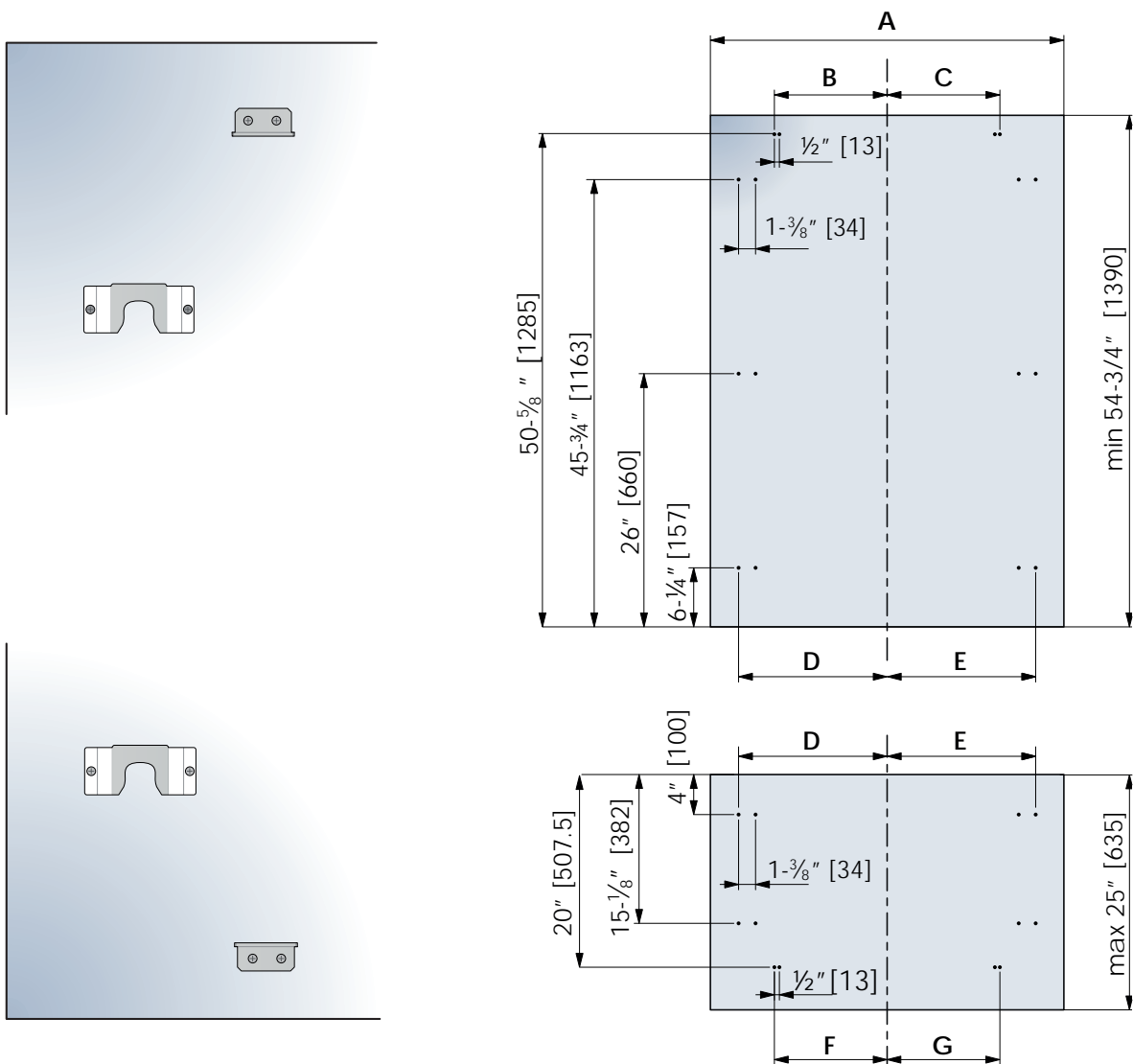
OVERLAY PANELS (CONT.)

PANEL DIMENSIONS KRB - OV

	KRBx36-OV	
	Hinge Left	Hinge Right
A	35-1/4" [897]	35-1/4" [897]
B	14" [355.5]	10-1/4" [261]
C	10-1/4" [261]	14" [355.5]
D	16-1/2" [418]	15-1/4" [386]
E	16-1/2" [418]	15-1/4" [386]
F / G	14" [354.5]	14" [354.5]



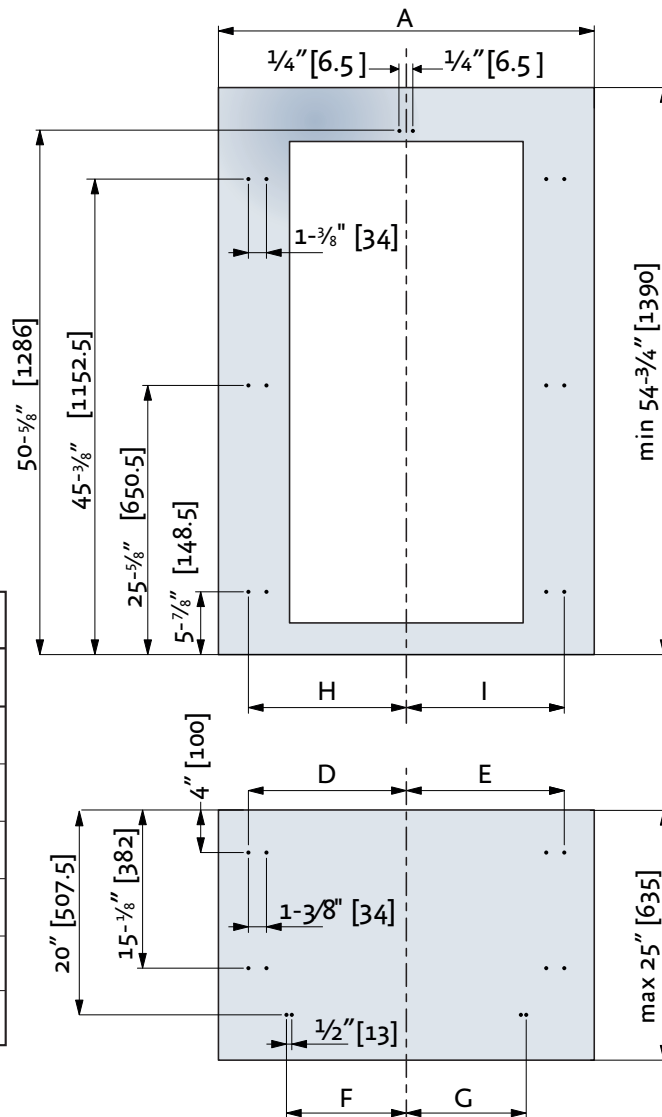
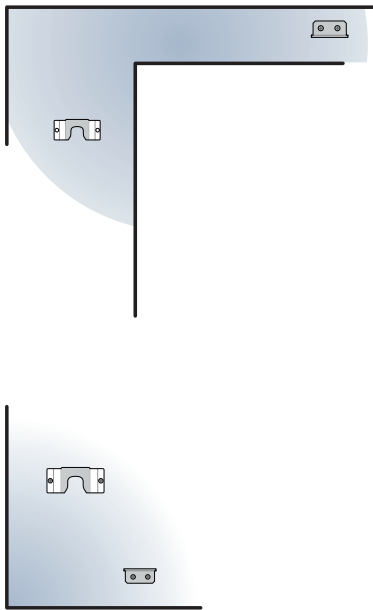
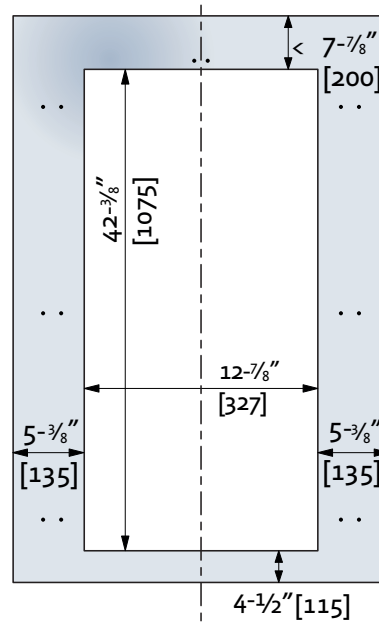
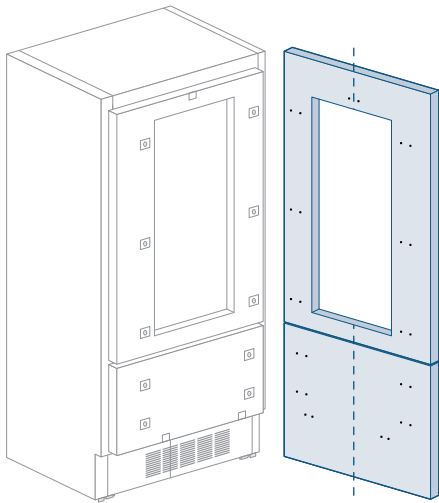
EN



OVERLAY PANELS (CONT.)

PANEL DIMENSIONS KRW - OV

EN



	KRWx24-OV MODELS	
	Hinge Left	Hinge Right
A	23-1/2" [597]	23-1/2" [597]
D	10-7/8" [276.5]	9-3/8" [236.5]
E	9 3/8" [236.5]	10-7/8" [276.5]
F / G	8" [203.5]	8" [203.5]
H	10-5/8" [270.5]	9-1/8" [230.5]
I	9-1/8" [230.5]	10-5/8" [270.5]

OVERLAY PANELS (CONT.)

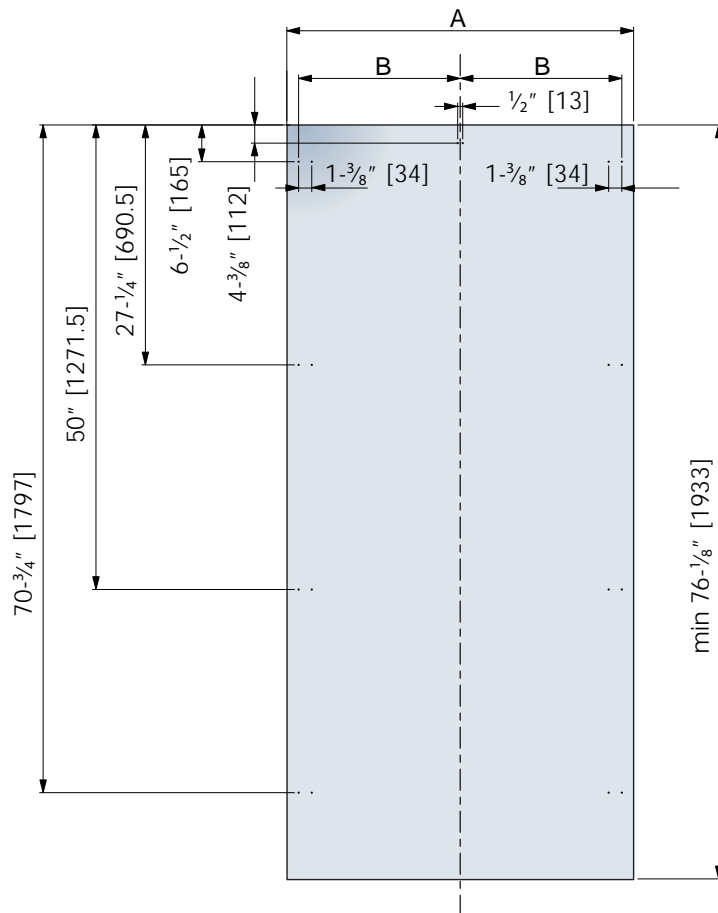
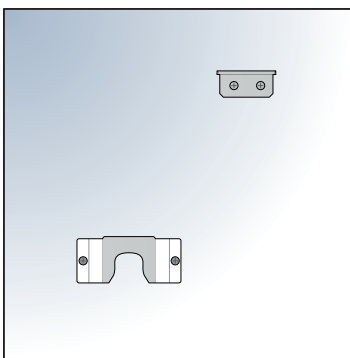
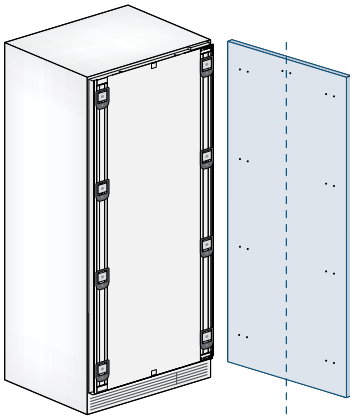
PANEL DIMENSIONS KRC - OV, KFC - OV

See "PANEL DIMENSIONS KRW - OV" on page 18 for KRW models.

See "PANEL DIMENSIONS KWC - OV" on page 20 for KWC models.

EN

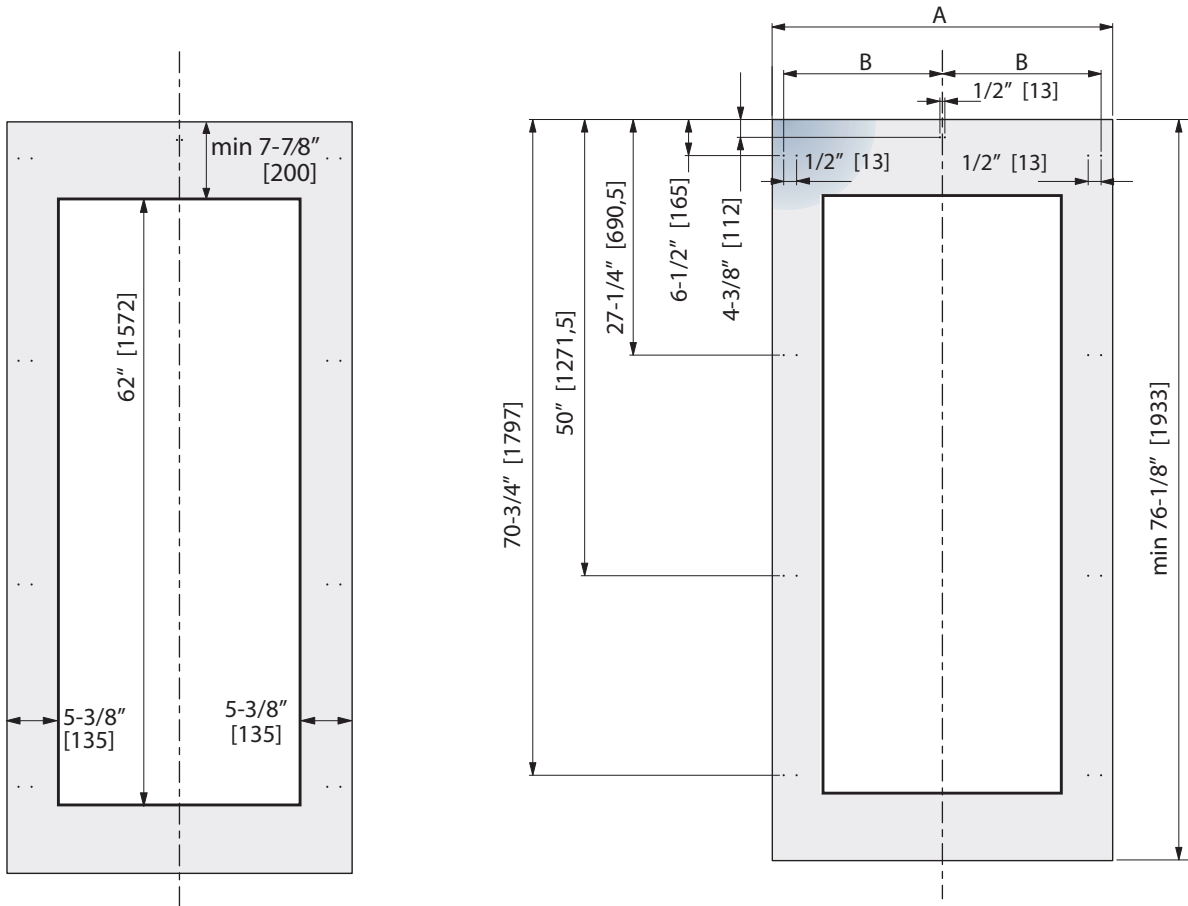
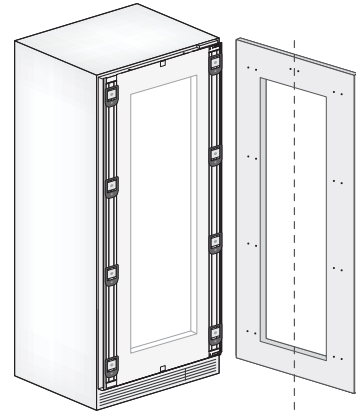
	30" -OV Column Models		24"-OV Column Models		18"-OV Column Models	
	Hinge Left	Hinge Right	Hinge Left	Hinge Right	Hinge Left	Hinge Right
A	29- ³ / ₈ " [747]	29- ³ / ₈ " [747]	23- ¹ / ₂ " [597]	23- ¹ / ₂ " [597]	17- ⁵ / ₈ " [447]	17- ⁵ / ₈ " [447]
B	13- ¹ / ₂ " [343]	13- ¹ / ₂ " [343]	10- ⁷ / ₈ " [276.5]	10- ¹ / ₂ " [268]	7- ⁷ / ₈ " [200]	7- ⁷ / ₈ " [200]
B	13- ¹ / ₂ " [343]	13- ¹ / ₂ " [343]	10- ¹ / ₂ " [268]	10- ⁷ / ₈ " [276.5]	7- ⁷ / ₈ " [200]	7- ⁷ / ₈ " [200]



OVERLAY PANELS (CONT.)

PANEL DIMENSIONS KWC - OV

	MODEL KWCx24-OV		MODEL KWCx18-OV	
	Left Hinge	Right Hinge	Left Hinge	Right Hinge
A	23-1/2" [597]	23-1/2" [597]	17-5/8" [447]	17-5/8" [447]
B	10-7/8" [276.5]	10-1/2" [268]	7-7/8" [200]	7-7/8" [200]
B	10-1/2" [268]	10-7/8" [276.5]	7-7/8" [200]	7-7/8" [200]



OVERLAY PANELS (CONT.)

PANEL DIMENSIONS KRB 36-OV AND KRW 24-OV

Panels can have thickness ranging between $3/4"$ [18 mm] and $1-1/8"$ [28 mm].

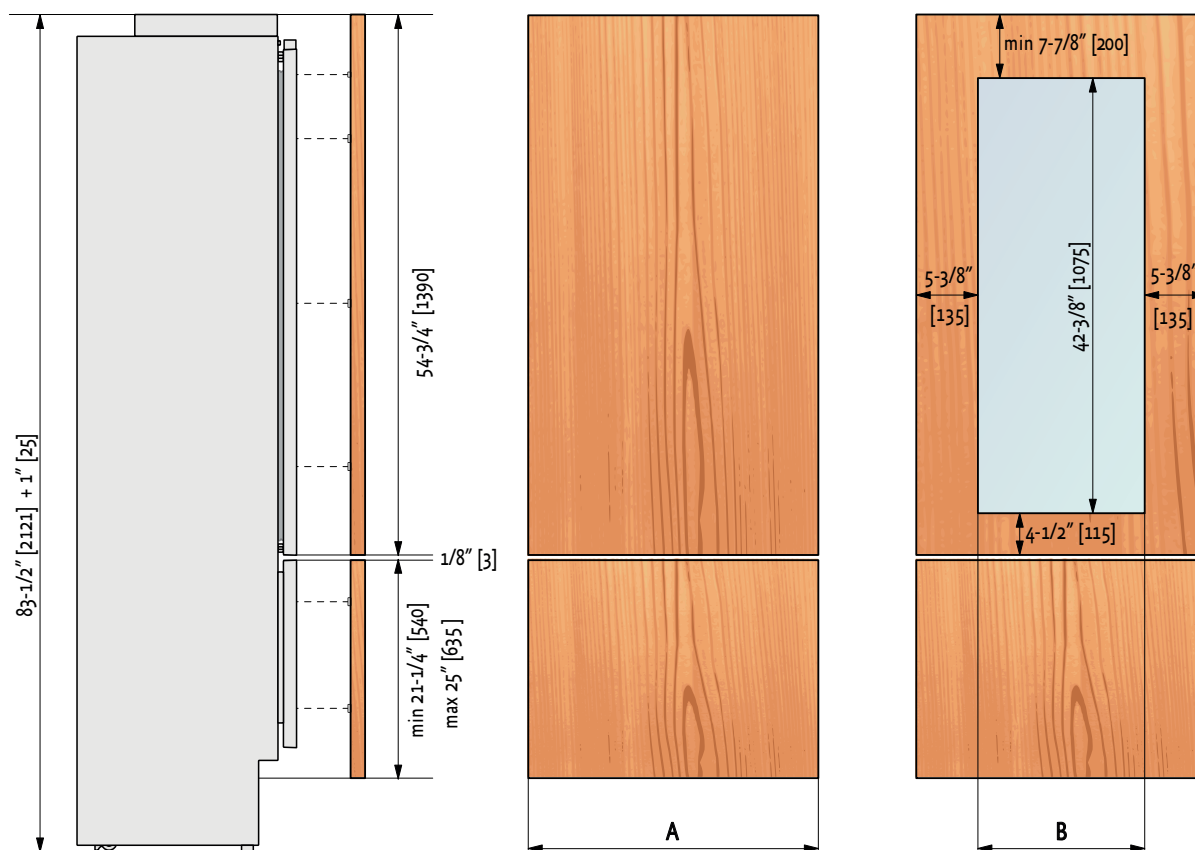
Door panels can have a maximum weight 51 lbs [23 kg] and drawer panels may be a maximum weight of 25 lbs [11 kg].

Exceeding these weights could void your warranty for any service issues which can be attributed to overweight panels.

The hinge mechanism on Hestan refrigerators is considered to be `Zero-clearance`. The door and drawer widths specified below assume the minimum niche width is being used and a $1/8"$ [3.5 mm] reveal is desired around the panels. Adjust your panel dimensions accordingly to your own design criteria considering your niche width and your reveal. Minimum reveal / gap should not be less than $1/16"$ [1.5 mm].

EN

Models	Door/Drawer Width A	Door Cutout Width B
KRBR/L36-OV	$35-1/4"$ [897]	N/A
KRWR/L24-OV	$23-1/2"$ [597]	$12-7/8"$ [327]



Example:

$84"$ cut-out height $36"$ cut-out width

$4"$ toe kick height

$1/8"$ gap desired all around

Door panel: Width: $35-3/4"$
Height: $54-3/4"$

Determining drawer panel size:

Width: $35-3/4"$

Height: $84" - 1/8" - 54-3/4" - 1/8" - 4" = 25"$

If you want a $6"$ toe kick height with $1/8"$ gaps then your bottom drawer panel height would be $23"$

OVERLAY PANELS (CONT.)

PANEL DIMENSIONS KFC - OV, KRC - OV AND KWC - OV

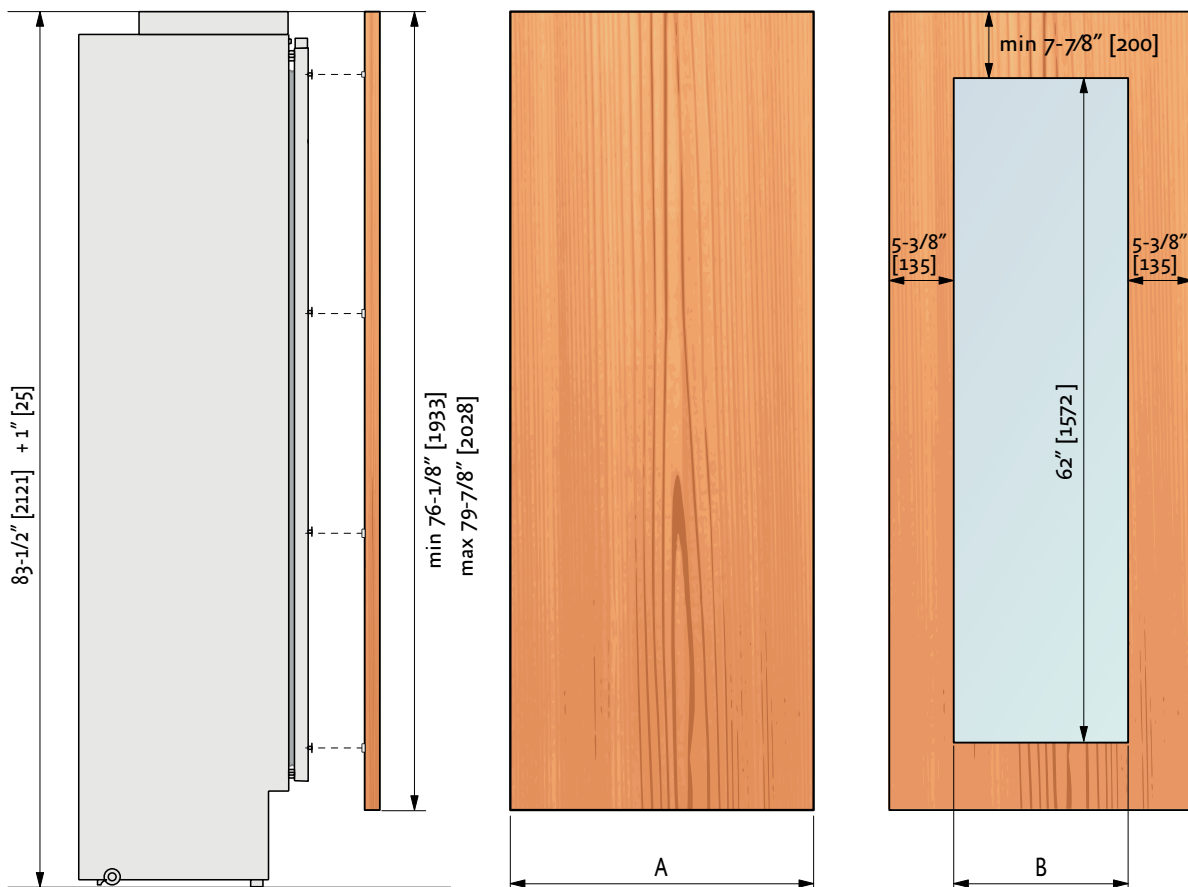
EN Panels can have thickness ranging between 3/4" [18 mm] and 1-1/8" [28 mm].

Door panels can have a maximum weight 51 lbs [23 kg] and drawer panels may be a maximum weight of 25 lbs [11 kg].

Exceeding these weights could void your warranty for any service issues which can be attributed to overweight panels.

The hinge mechanism on Hestan refrigerators is considered to be `Zero-clearance`. The door and drawer widths specified below assume the minimum niche width is being used and a 1/8" [3.5 mm] reveal is desired around the panels. Adjust your panel dimensions accordingly to your own design criteria considering your niche width and your reveal. Minimum reveal / gap should not be less than 1/16" [1.5 mm].

Models	Door/Drawer Width A	Door Cutout Width B
KFC, KRCx30-OV	29-3/8" [747]	N/A
KFC, KRCx24-OV	23-1/2" [597]	N/A
KWCx24-OV	23-1/2" [597]	12-7/8" [327]
KFC, KWCx18-OV	17-5/8" [447]	6-7/8" [177]

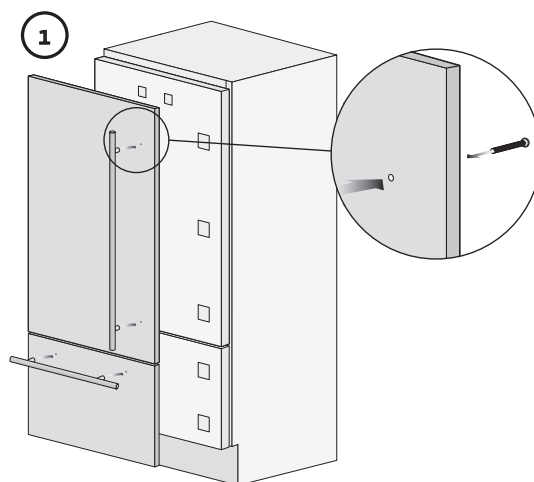


OVERLAY PANELS (CONT)

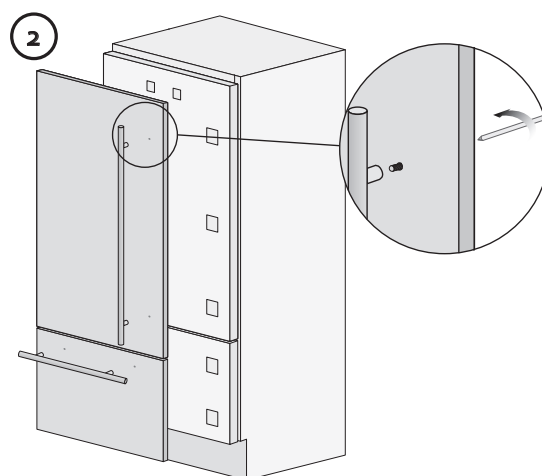
MOUNTING HANDLES ON OVERLAY PANELS

Handles must be mounted on the panels before the panels are applied to the fridge.

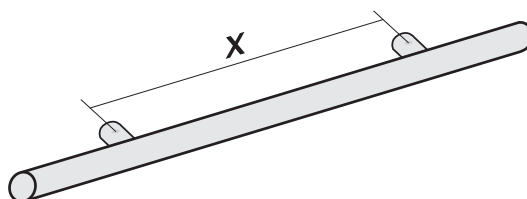
EN



Place the handle on top of the holes and insert the screws through the panel and into the handle support.



Handles not provided with Overlay (-OV) Models
(sample handle shown)



Accurately measure the distance between hole centers for correct dimensions to apply before drilling the mounting holes in your panels.

OVERLAY PANELS (CONT)

PREPARING DOOR AND DRAWER FOR OVERLAY PANELS

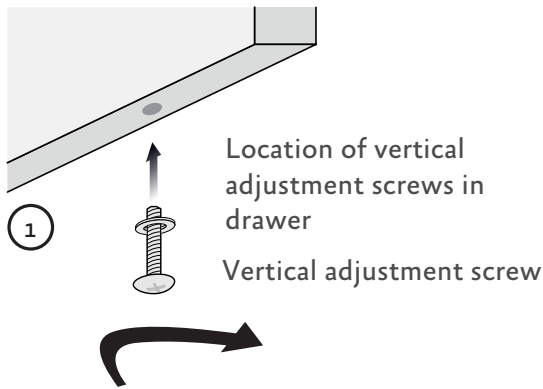
The adjusting screws and hanger bolts must be threaded into place in the door (and drawer, if applicable) before applying the decorative panels.

Install the vertical adjustment screws into the bottom of the drawer (if applicable) 2-3 turns deep. The vertical adjustment screws for the door panel are installed after applying the door panel.

Install one hanger bolt into each recess - only 2-3 turns deep.

Install one depth adjustment screw into the holes above or below each recess - the wrench opening goes in first so adjustments can be made from the appliance side of the door. These should be screwed in almost flush to the face of the gasket surrounding them.

The depth adjustment screws can be started and screwed in much of the way by hand. If needed, they can be finished using a 4mm allen wrench from the inside of the door or drawer - gently pull the door gasket aside to reveal the screw hole.

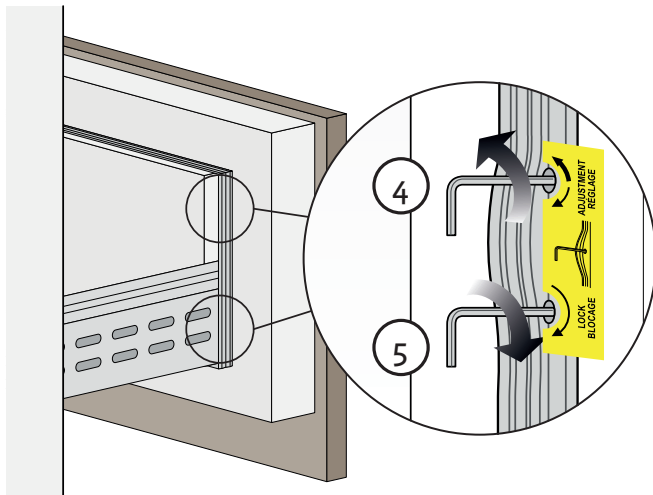
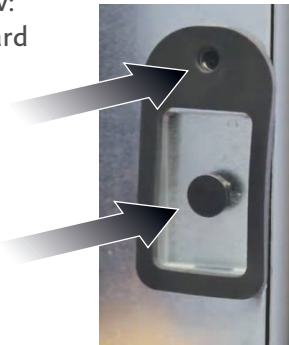


NOTE: Vertical adjustment screws for door are installed after hanging panel on door.

Depth adjustment screw:
Install with socket toward appliance



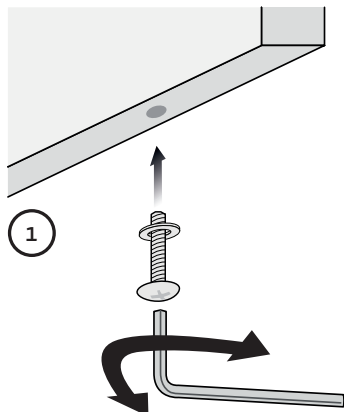
Hanger bolt



(4) Depth adjust screws - these adjust spacing between door and panel

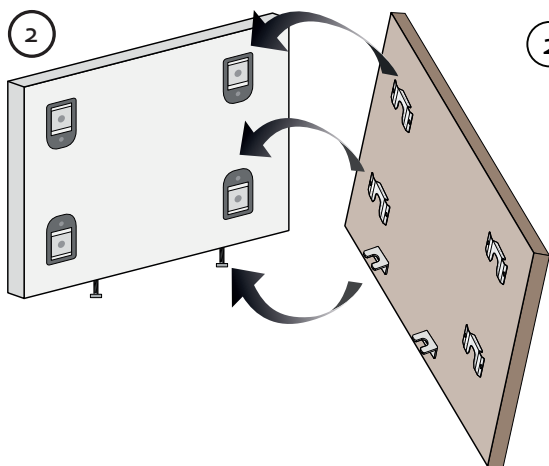
(5) Hanger bolts - these secure the panel

MOUNTING OVERLAY PANELS TO DRAWER



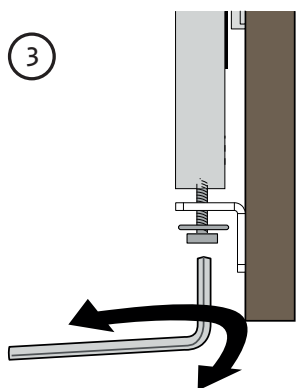
Once all brackets and small brackets have been applied to the panels, you can begin installing the bottom drawer panel.

- 1 Leave the vertical adjustment screws just a few turns in.



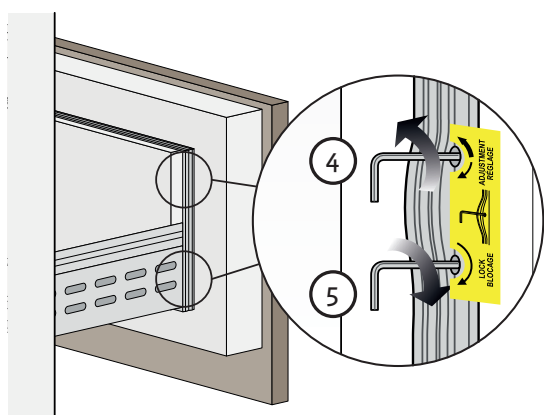
- 2 Mount the bottom drawer panel: Make sure the height adjustment screw heads are under the adjusting brackets. Then fit the attachment brackets over the hanger bolts.

Final adjustment must be done after the appliance is in place and the side trim mounted.



- 3 Use the height adjustment screws to align panels to adjacent cabinets.

The panel has some adjustment sideways when the hanger bolts are slightly loose.

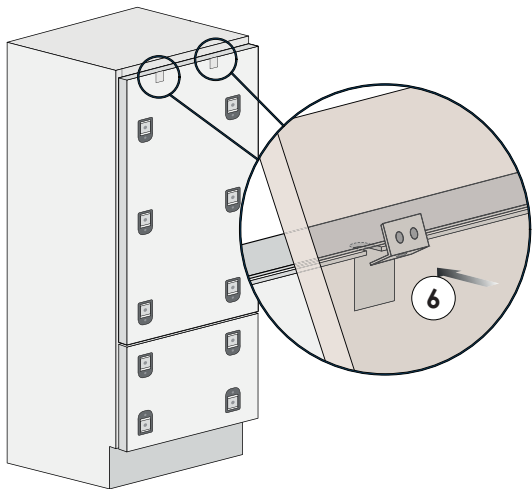


Depth alignment: working from the inside of the drawer, use the depth adjusting screws (4) to push the panel away from the door as needed, and snug the hanger bolts (5) to secure the panel in place.

OVERLAY PANELS (CONT.)

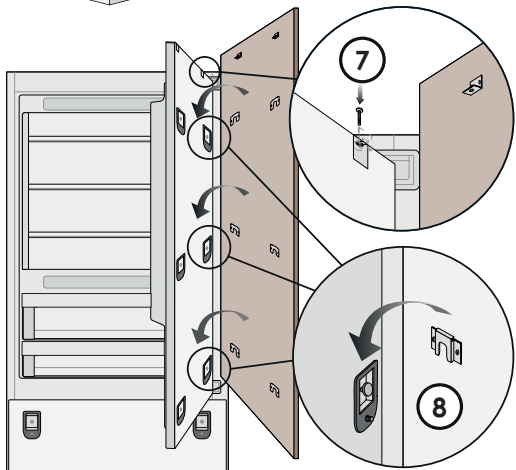
MOUNTING OVERLAY PANELS TO DOOR

EN

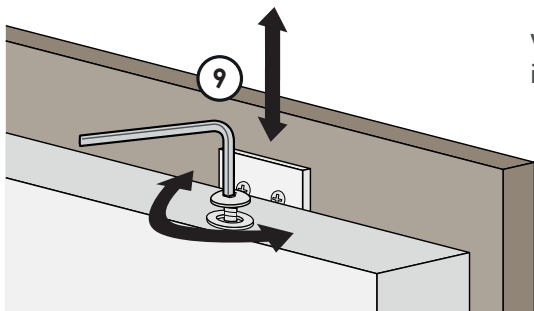


Hook the panel to the hanger bolts starting from the top aligning brackets (6).

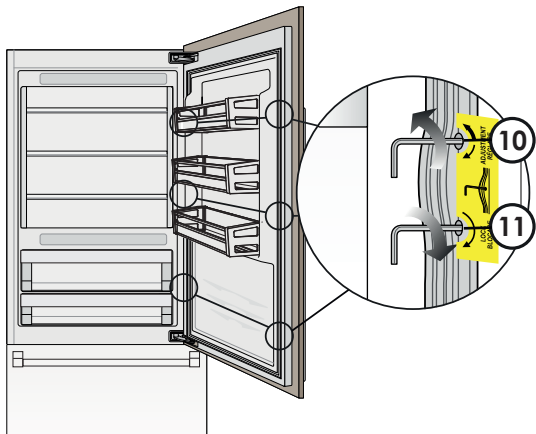
After the panel is hooked on all hanger bolts, install the two vertical adjustment screws. See (9) below.



At this point, alignment between the panel and adjacent cabinets can be adjusted using the alignment brackets and brackets (7) and (8).



Vertical alignment: tighten or loosen the screws in the brackets to raise or lower the panel. (9)



Depth alignment: working from the inside of the door, after lifting up the magnetic seal, adjust the panel position so it is closer to or further away from the door using (10) and then fix the panel in position using (11)

FINAL INSTALLATION

INSTALLING TWO OR MORE UNITS TOGETHER - TOTAL OPENING WIDTH

The best practice for planning and installing built-in units together is to combine the actual widths of each unit, and add another 1/8" [3 mm] to get the total opening width. When placed next to each other, the side profile trims are used to hold the units together (discussed on the next page).

EN

MODEL SIZE	ACTUAL WIDTH
36"	35-3/8" [899 mm]
30"	29-1/2" [749 mm]
24"	23-5/8" [599 mm]
18"	17-11/16" [449 mm]

EXAMPLE (30" + 24" units) - The 30" model has an actual width of 29-1/2" [749 mm], and a 24" model has an actual width of 23-5/8" [599 mm]. Added together:

$$29-1/2" + 23-5/8" + 1/8" = 53-1/4" [1351 \text{ mm}]$$

EXAMPLE (30" + 24" + 36" units) - The 30" model has an actual width of 29-1/2" [749 mm], a 24" model has an actual width of 23-5/8" [599 mm], and a 36" model has an actual width of 35-3/8" [899 mm].

$$29-1/2" + 23-5/8" + 35-3/8" + 1/8" = 88-5/8" [2250 \text{ mm}]$$

FINAL INSTALLATION (CONT.)

INSTALLING TWO OR MORE UNITS TOGETHER - CONNECTIONS

Installing two or more units as built-ins next to each other requires a Central Connection Kit.

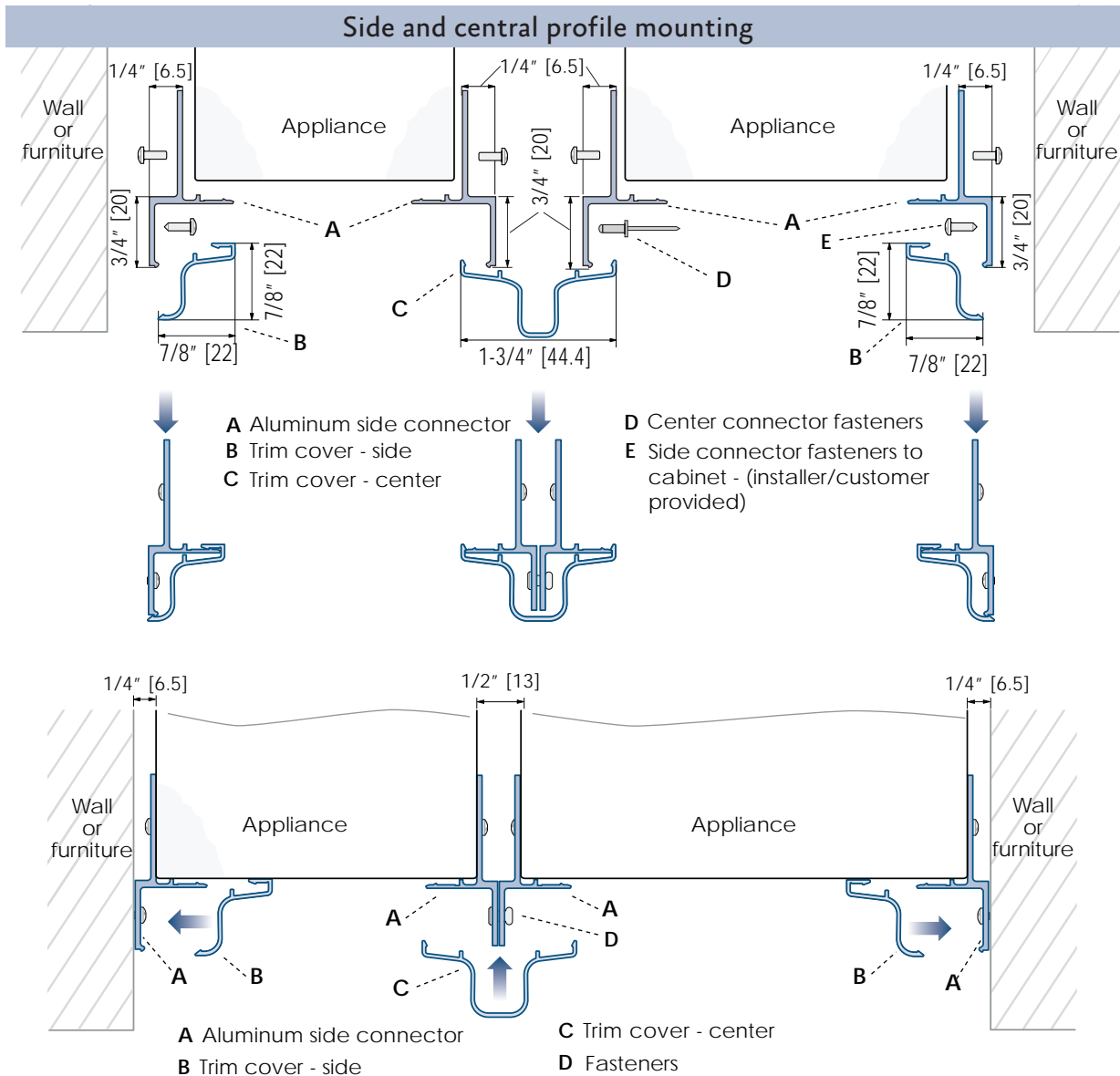
(Not included - must be ordered as a separate accessory)

AKRCJK (for KRB, KRC, KFC, KWC and KRW Models in Stainless Steel or color)

AKRCJK-OV (for KRB, KRC, KFC, KWC and KRW overlay models)

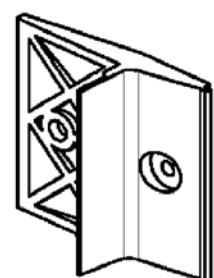
AKRCJKP (for KRP Models)

The appliance comes with side connectors on each side. The connector kit provides connectors for the rear of the units, fasteners, and a trim cap for the center junction.



NOTE: The aluminum side connector (item A above) is typically pre-installed on all refrigeration units at the factory. In mid-2019, a design change was made and the aluminum parts were replaced by a kit included with the unit. The kit contains 10 plastic side connectors that look like this.

Follow the instructions included with the kit to attach these new side connectors.

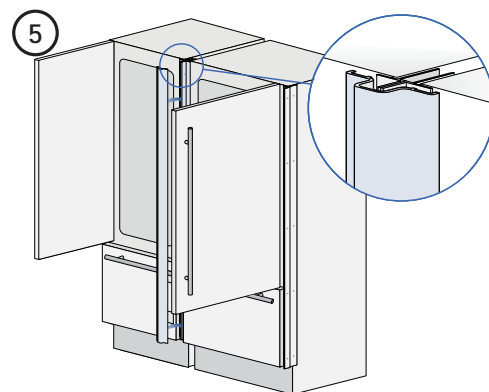
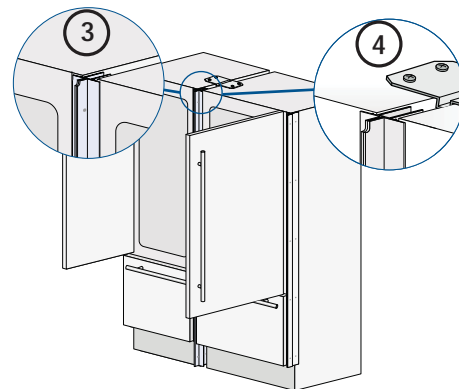
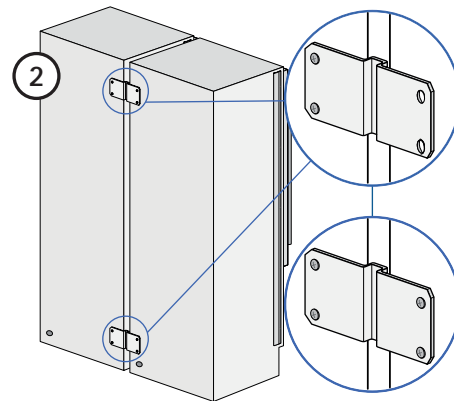
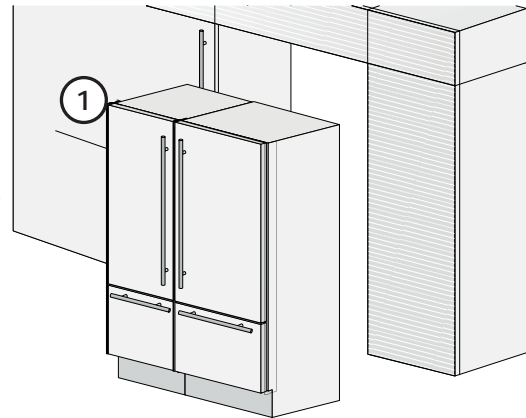


FINAL INSTALLATION (CONT.)

INSTALLING TWO OR MORE UNITS TOGETHER (cont.)

Position the two units so that, when joined, they can be rolled into their final position.

- 1) For KRP units, place the anti-condensation insulator according to its directions.
- 2) Place the units side by side, and check leveling. The two units must be at the same height before connecting. (Item 3, this page)
The side connectors should just touch along their length.
- 3) At the rear, mount the joining brackets to one unit, then the other. (Item 2, this page)
- 4) The top may also require a connector. Install if required/provided. (Item 4, this page)
- 5) At the front, attach the aluminum center connectors together using the fasteners provided. (Items D, previous page)
- 6) Snap the center trim cover into place. (Item 5, this page)



MOVING TWO UNITS INTO FINAL POSITION

Make sure the side connectors will fit the cutout width. See "CHECK/ADJUST SIDE TRIM" on page 30.

The procedure is the same as for a single unit. See following page.

FINAL INSTALLATION (CONT.)

MOVING SINGLE UNIT INTO POSITION

Side connectors with decorative trim pieces are provided to secure the appliance to adjacent cabinetry.

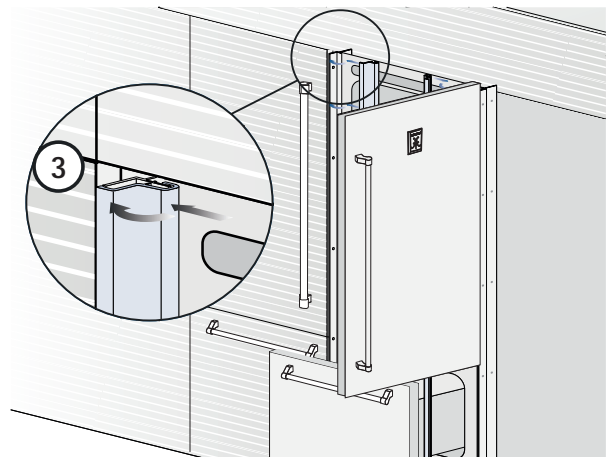
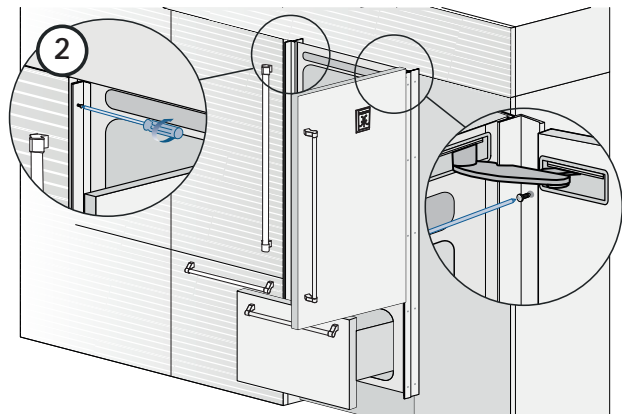
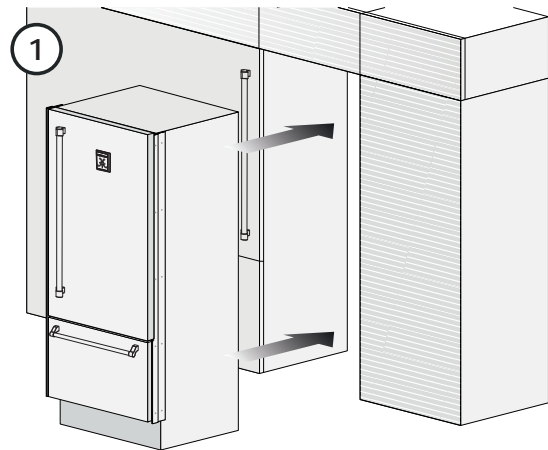
Make sure the side connectors will fit the cutout width. See "CHECK/ADJUST SIDE TRIM" on page 31.

All but KRP: The unit does not need a ventilation shaft in the cabinet for cooling.

KRP: See "INSTALLATION CUT-OUT - KRP MODELS" on page 5 for ventilation requirements.

Always mount front panels on the door and drawer before pushing the unit into its final position inside the enclosure.

- 1) Move the unit into its final position
- 2) Check the leveling of the appliance, adjusting the feet and wheels to correct it if necessary.
- 3) Secure the appliance to the adjacent cabinets using the side profiles. (2)
To make this operation easier keep the door and the drawer open.
- 4) Mount the trim covers (3) by first inserting them laterally then pushing firmly until a "click" is heard.



FINAL INSTALLATION (CONT.)

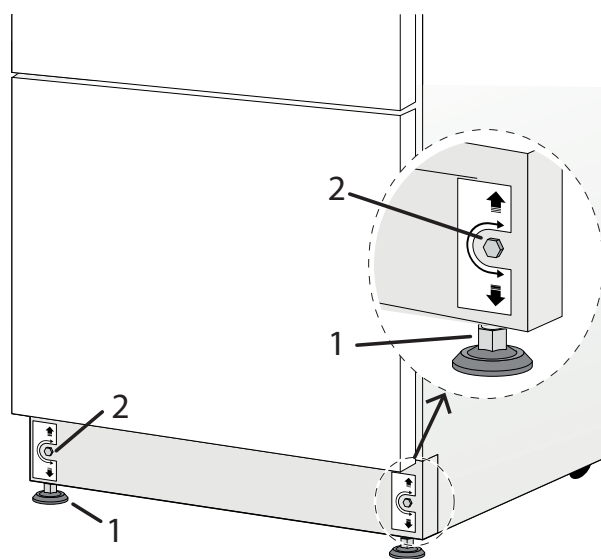
EN

LEVELING THE APPLIANCE

Adjust the appliance level by means of the front leveling feet and the rear adjustable wheels. Leveling must be done after the appliance has been moved into place.

Level as follows:

- 1) Remove the bottom grille if necessary (it is kept in position by magnets)
- 2) Adjust the front using the leveling feet (1) by means of a 17 mm (or 11/16") open-end or adjustable wrench.
- 3) Adjust the height of the rear by turning the front adjusting bolts (2) clockwise or counter-clockwise as required.
- 4) Reinstall the grill.



CHECK/ADJUST SIDE TRIM

The standard side trim fits an opening of the specified dimensions, as listed on page 5 and following pages.

If the cutout is a bit wider or not perfectly square, the trim can be adjusted to fit.

The suggested method is to use spacers between the appliance and the trim strip under each of the five screws securing each trim strip. Flat washers can be used as spacers, select thicknesses as appropriate.

This adjustment should be done before any decorative panels are mounted to the doors.

TRIM FOR INSTALLING TWO OR MORE UNITS TOGETHER

When installing units side-by-side, a special trim kit must be used on the facing sides. See "INSTALLING TWO OR MORE UNITS TOGETHER" on page 28.

ANTI-TIP HARDWARE

The anti-tip hardware installation is detailed on page 32, and must be completed after the appliance is in place and has been leveled.

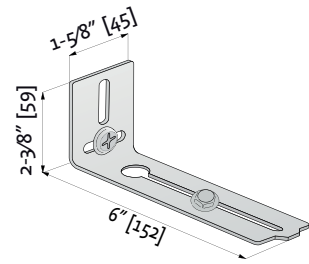
However, you may wish to make the preparations before mounting any decorative panels.

FINAL INSTALLATION (CONT.)

ANTI-TIP SAFETY



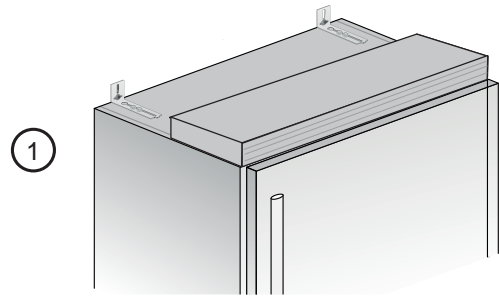
To avoid danger of the appliance tipping over it is mandatory to secure the appliance to the wall by means of the two provided brackets.



MOUNTING SAFETY ANTI-TIP BRACKETS - All except KRP series

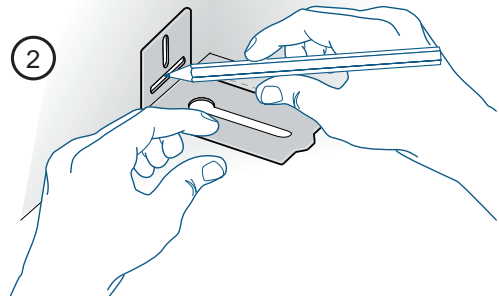
When using the anti-tip brackets, they should be applied as illustrated using the provided screws and wall anchors.

- 1) Find the mounting holes on top of the appliance, and determine how the bracket must align with the wall.
- 2) Mark the wall where the holes are needed.
- 3) Drill the wall with an 5/16" [8 mm] bit and insert the wall anchor.
- 4) Position the bracket and secure it first to the appliance, then to the wall.



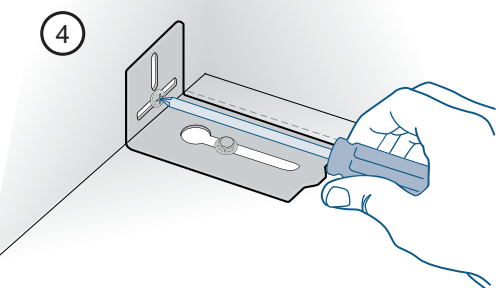
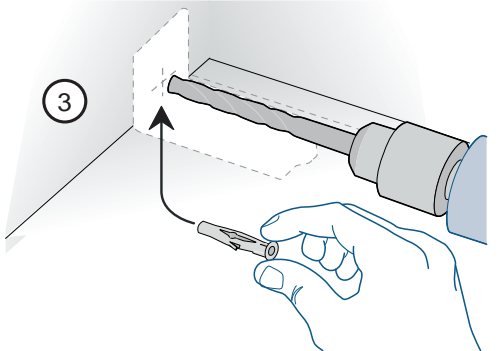
In addition, it is suggested:

- The side trim pieces on both sides must be secured to the unit with the provided screws
- The side trim pieces must be screwed to the cabinets at all provided attachment points.
- The cabinet must be securely attached to the wall to assure the stability of the appliance.



When two units are installed together, the anti-tip brackets are required for each of them.

In addition, the correct joining kit must be installed and the units must be secured to the adjoining cabinets by means of the side trim pieces, as above.



FINAL INSTALLATION (CONT.)

MOUNTING SAFETY ANTI-TIP BRACKETS - KRP series

To avoid danger of the appliance tipping over it is mandatory to secure the appliance to the wall by means of the two provided brackets.

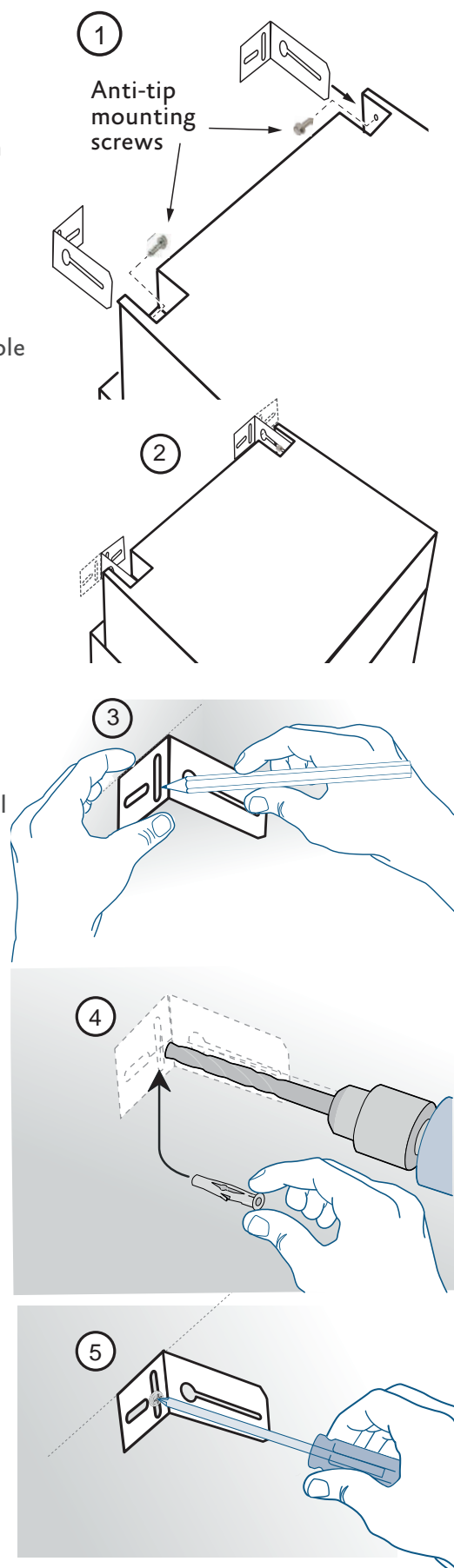
- 1) The appliance has one screw in place where each bracket will attach. (See figure to right.) Remove the screws and set aside.
- 2) Determine location of brackets and mark the wall accordingly. Note that the brackets can be installed facing in or out, as preferred.
- 3) Roll the unit away from the wall, and mark the hole locations.
- 4) Drill anchor holes and install the anchors.
- 5) Mount the bracket to the wall, then roll the appliance into position and attach the bracket to the appliance using the screws saved from (1) above.

In addition, it is suggested:

- The side trim pieces on both sides must be secured to the unit with the provided screws
- The side trim pieces must be screwed to the cabinets at all provided attachment points.
- The cabinet must be securely attached to the wall to assure the stability of the appliance.

When two units are installed together, the anti-tip brackets are required for each of them.

In addition, the correct joining kit must be installed and the units must be secured to the adjoining cabinets by means of the side trim pieces, as above..

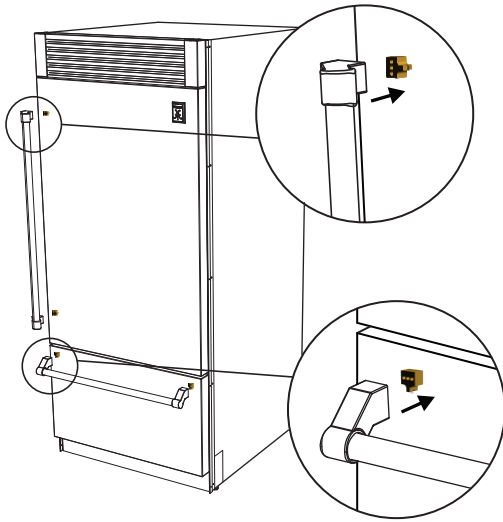


FINAL INSTALLATION (CONT.)

MOUNTING THE HANDLES AND ENDCAPS

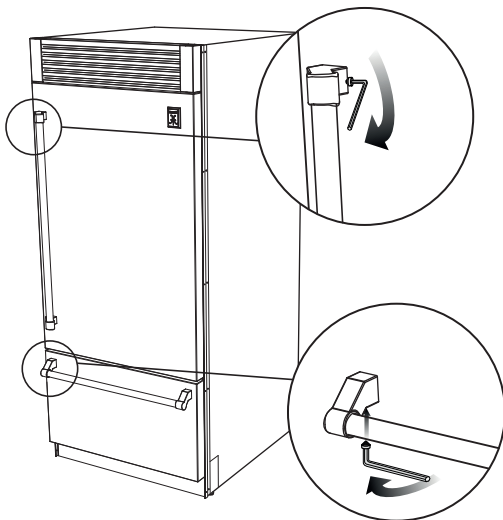
Handles and endcaps are provided with all stainless and color models. Handles are located in protective wrapping, taped to the back of the refrigerator. Remove the handles before moving the refrigerator into its cut-out or opening. Endcaps are located in a cardboard box inside the refrigerator.

It is recommended that two people work together to assemble and apply the handles and endcaps. Follow the steps below to complete the mounting process.



Insert the handle into the endcaps and rotate as needed to align the notch in the tube, with the tab inside the endcap. A light tap with a wood or plastic hammer will help insert the tube fully. Position the endcaps over the supports that are pre-mounted on the door and drawer face.

- Use caution not to scratch the door surface.
- It is recommended that one person holds the handle and endcaps in position while the second person inserts the provided set screws used to secure the handle.



The provided set screws are located in the box with the endcaps. Using a 2.5 mm hex wrench, insert the set screw into the hole in the endcap and carefully tighten. The endcap is then properly secured to the door/drawer. Repeat this step for the other endcaps.

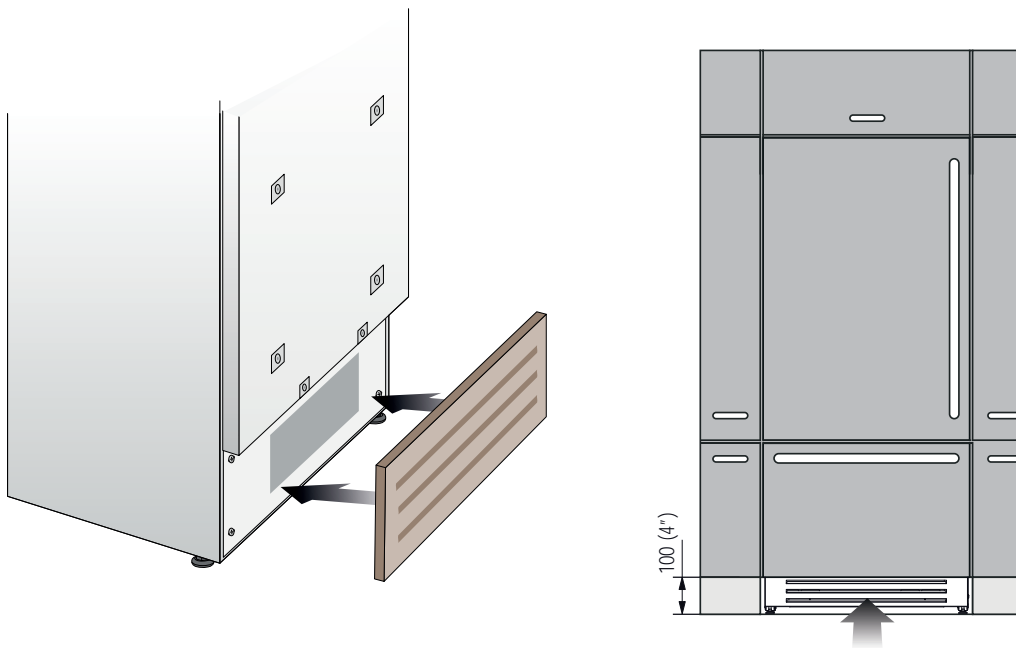
FINAL INSTALLATION (CONT.)

EN

PROPER AIR CIRCULATION (Except KRP)

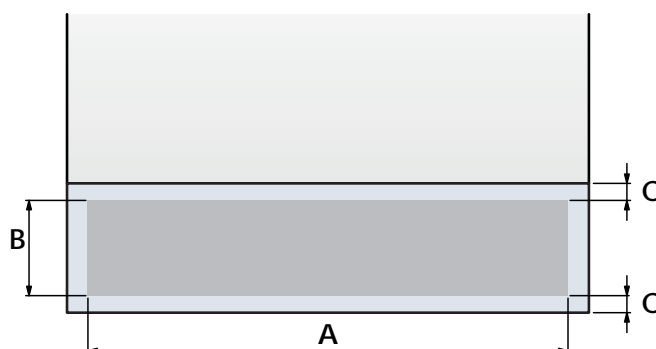
A forced air system assures ventilation through a grille positioned in the lower front of the unit. If the kitchen design includes an applied toe-kick, it must have ample openings/slots to maintain proper airflow as illustrated below. Holes/slots can be of any size and shape, provided that the total open area amounts to 50% of the overall size of the decorative cover.

In this case, to guarantee proper airflow, it is recommended to remove the front grille included with the unit. The provided grille is secured to the unit with magnetic plates and can be easily removed. The cover should be removed for regular cleaning and removal of dust. If a decorative grille is used, remove the provided grille to allow for proper airflow.



The chart and illustration below provides the proper amount of airflow necessary to maintain. (All models except KRP.)

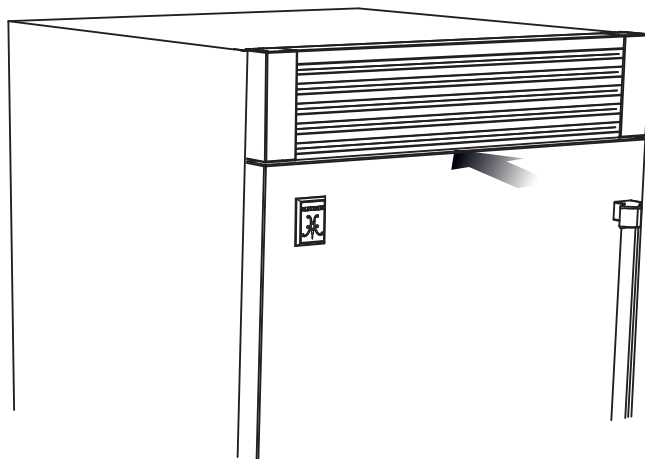
	36" Models	30" Models	24" Models	18" Models
A	33-7/8" [860 mm]	29-1/8" [740 mm]	22" [560 mm]	16-1/8" [410 mm]
B	> 4" [100 mm]			
C	3/8" [10 mm]			



FINAL INSTALLATION (CONT.)

PROPER AIR CIRCULATION (KRP)

For KRP models, ventilation is provided by a forced air system through a grille in the top of the refrigerator. This open space in the grille must not be restricted by any cover or device that would reduce the proper airflow, as it would reduce product efficiency and increase energy consumption. A vent must be provided at the rear for the air to exit. See page 5 for location and dimensions.



TESTING AND INITIAL START UP

PRETEST CHECKLIST


- Check that the connection to the water system does not have any leaks and that the valve is easily accessible.
- Check that the electrical connection is correctly installed and that the circuit breaker is identified/marked for later use.
- Check that the unit is level and aligns with adjacent cabinets.
- Check that the anti-tip brackets are secure, and the side connectors are secure with trim in place.
- Check that all adhesive tape and external or internal temporary protective packaging have been removed.
- Check the perfect closing of the doors and the smooth sliding of the drawers and shelves.
- If the unit has an icemaker, make sure the water filter cartridge is installed. (Unless filtered water is being provided to the unit.)

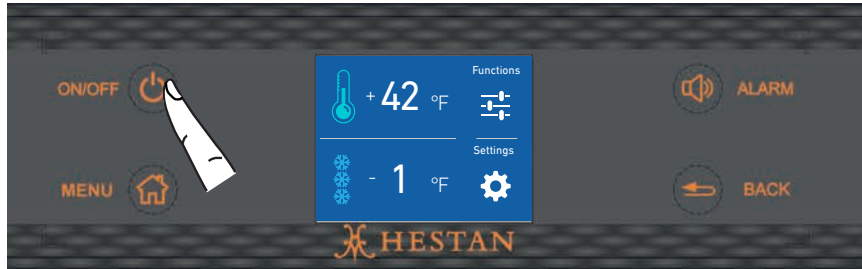
TESTING AND INITIAL START-UP (CONT.)

EN

INITIAL STARTUP

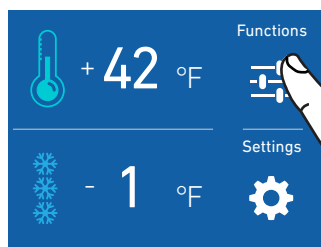
Once the appliance is plugged in, the display will show the Hestan logo, a brief info screen, then go dark.

Turn the appliance ON by pressing the Power  button for three seconds. The display will show a Hestan logo, then the message "Initial test, please wait..." for 2-3 minutes. After this phase the compressors will start up and remain on until the default temperature (set at the factory) is reached. Allow ample time for the refrigerator to reach this temperature before loading any items (6-12 hrs). During this time, deactivate any error messages by pressing the Alarm button.

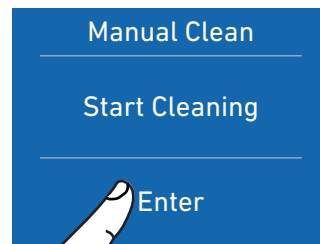


Ice Maker

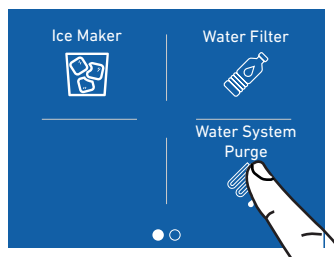
If the appliance is provided with an ice maker, make sure that the water filter cartridge is properly installed, and the appliance is connected to the water source. Follow these instructions for cleaning / purging the water system for the first time. Place a small tray or bowl inside the ice bin, under the ice maker tray to catch any water during the purge cycle.



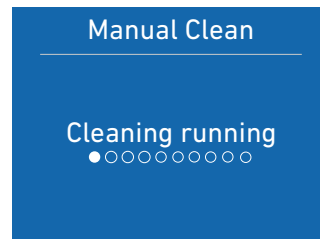
At the Home screen, touch the Functions icon.



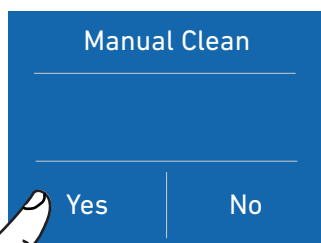
Touch the Enter icon to start the cleaning.



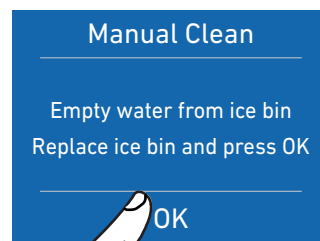
Scroll left, then touch the Water System Purge icon.



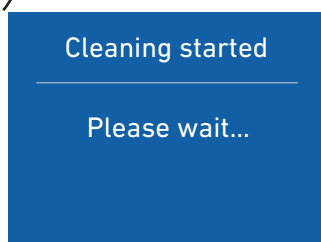
Cleaning running...



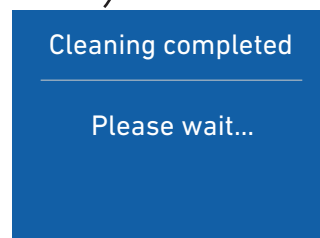
Touch YES to activate the manual cleaning.



At the end of the cleaning, empty water from ice bin, then press OK.



Please wait...



Wait a few seconds, the home screen will appear. Remove the tray or bowl.

TESTING AND INITIAL START-UP (CONT.)

Bottom Drawer

Models KRP, KRB, and KRW have a bottom drawer which defaults to freezer operation. The drawer can also be set to other modes of operation. See the Use and Care manual for more information.

Readiness

If at first the Start Up message does not appear but other information in the display does appear (such as Fridge too warm, Freezer too warm, or audible signals are heard), the refrigerator has still begun the normal cooling process.

If this is the case, deactivate any audible signals by pressing the Alarm button, close the door and wait until the set temperature is reached.

It is necessary to let the unit reach the correct temperature prior to placing food or beverages in it. (Allow 6-12 hours.)

For further information about the appliance operation, refer to the Use and Care Manual.

PARTS LIST

Please visit the Hestan website to access the parts list for your Hestan Indoor product: www.hestanhome.com.

SERVICE

All warranty and non-warranty repairs should be performed by qualified service personnel. To locate an authorized service agent in your area, contact your Hestan dealer, local representative, or Hestan Customer Service. Before you call, please have the model number and serial number information ready.

Hestan Commercial Corporation
3375 E. La Palma Avenue
Anaheim, CA 92806
(888) 905-7463

AVERTISSEMENT

LE NON-RESPECT À LA LETTRE DE CES INSTRUCTIONS PEUT CAUSER UN INCENDIE OU UNE EXPLOSION, QUI POURRAIT ENTRAÎNER DES DOMMAGES MATÉRIELS, DES BLESSURES OU LA MORT.

Ne pas entreposer ou utiliser d'essence ou tout autre liquide ou gaz inflammable à proximité de cet appareil ou de tout autre appareil.

L'installation et le service doivent être effectués par un installateur qualifié ou une agence de service.

NE PAS RÉPARER, REMPLACER OU ENLEVER TOUTE PIÈCE DE L'APPAREIL, SAUF SI SPÉCIFIQUEMENT RECOMMANDÉ DANS LES MANUELS. UNE INSTALLATION, UN ENTRETIEN OU UNE MAINTENANCE INCORRECTS PEUT ENTRAÎNER DES BLESSURES OU DES DOMMAGES MATÉRIELS. CONSULTEZ CE MANUEL DE L'ORIENTATION. TOUS LES AUTRES SERVICES DEVRAIENT ÊTRE EFFECTUÉS PAR UN TECHNICIEN DE SERVICE HESTAN AUTORISÉ.

LISEZ ATTENTIVEMENT ET COMPLÈTEMENT CES INSTRUCTIONS AVANT D'INSTALLER OU D'UTILISER VOTRE APPAREIL AFIN DE RÉDUIRE LES RISQUES D'INCENDIE, DE BRÛLURE OU D'AUTRES BLESSURES. CONSERVER CE MANUEL POUR RÉFÉRENCE FUTURE.

DÉFINITIONS DE SÉCURITÉ



CECI INDIQUE QUE L'INOBSERVATION DE CET AVERTISSEMENT PEUT ENTRAÎNER DES BLESSURES GRAVES VOIRE MORTELLES.



CECI INDIQUE QUE L'INOBSERVATION DE CET AVERTISSEMENT PEUT ENTRAÎNER DES BLESSURES MINEURES OU MODÉRÉES.



CECI INDIQUE QUE L'INOBSERVATION DE CET AVERTISSEMENT PEUT ENTRAÎNER DES DOMMAGES DE L'APPAREIL OU DES DÉGÂTS MATÉRIELS.

INSTALLATEUR: LAISSER CE MANUEL AVEC LE PROPRIÉTAIRE DE L'APPAREIL.

PROPRIÉTAIRE: CONSERVEZ CE MANUEL POUR RÉFÉRENCE FUTURE.

TABLES DES MATIERES

FR

1	PRÉCAUTIONS DE SÉCURITÉ - AVANT DE COMMENCER
2	NUMÉROS DE MODÈLE
3	PLAQUE SIGNALÉTIQUE
3	EXIGENCES RÉGLEMENTAIRES / CODE
4	POUR LA SÉCURITÉ DES ENFANTS
4	EMPLACEMENT ET PRÉPARATION
12	CONNEXIONS
15	PRÉPARATION DES PANNEAUX DÉCORATIFS
27	INSTALLATION FINALE
36	ESSAIS ET DÉMARRAGE INITIAL
38	LISTE DES PIÈCES / SERVICE

PRÉCAUTIONS DE SÉCURITÉ - AVANT DE COMMENCER

S'il est bien entretenu, cet appareil Hestan procurera un service sûr et fiable pendant de nombreuses années. Lorsqu'on se sert de cet appareil, les pratiques élémentaires suivantes en matière de sécurité doivent être adoptées.

IMPORTANT: Conservez ces instructions pour l'utilisation locale des services publics.

INSTALLATEUR: Veuillez laisser ces instructions d'installation avec le propriétaire.

PROPRIÉTAIRE: Veuillez conserver ces instructions d'installation pour référence future.

Cette four est conçue pour un usage domestique uniquement. Elle ne l'est PAS pour être installée dans des maisons préfabriquées (mobiles) ou dans des véhicules récréatifs. N'installez PAS cette four à l'extérieur.

⚠ AVERTISSEMENT

RISQUE DE CHOC ÉLECTRIQUE

Débranchez l'alimentation avant d'installer ou d'entretenir l'appareil. Ne pas le faire peut entraîner la mort ou un choc électrique.

MISE À LA TERRE ÉLECTRIQUE

- Cet appareil doit être mis à la terre. La mise à la terre réduit le risque de choc électrique en cas de court-circuit. Lisez la section **CONNEXIONS** de ce manuel pour des instructions complètes.
- NE PAS mettre à la terre un tuyau de gaz.
- NE PAS utiliser de rallonge avec cet appareil.
- NE PAS avoir de fusible dans le circuit **NEUTRE** ou **MISE À LA TERRE**. Un fusible dans le **NEUTRE** ou un circuit de **MISE À LA TERRE** pourrait provoquer un choc électrique.



NUMÉROS DE MODÈLE

MODÈLES DE RÉFRIGÉRATION

Modèles	Description
KRPR36	Réfrigérateur à congélateur inférieur, compresseur supérieur, Pro, charnière à droite, 36 po
KRPL36	Réfrigérateur à congélateur inférieur, compresseur supérieur, Pro, charnière à gauche, 36 po
KRPR36-XX	Réfrigérateur à congélateur inférieur, compresseur supérieur, Pro, couleur, charnière à droite, 36 po
KRPL36-XX	Réfrigérateur à congélateur inférieur, compresseur supérieur, Pro, couleur, charnière à gauche, 36 po
KRBR36	Réfrigérateur à congélateur inférieur, compresseur inférieur, charnière à droite, 36 po
KRBL36	Réfrigérateur à congélateur inférieur, compresseur inférieur, charnière à droite, 36 po
KRBR36-OV	Réfrigérateur à congélateur inférieur, compresseur inférieur, recouvrement, charnière à droite, 36 po
KRBL36-OV	Réfrigérateur à congélateur inférieur, compresseur inférieur, recouvrement, charnière à gauche, 36 po
KRBR36-XX	Réfrigérateur à congélateur inférieur, compresseur inférieur, couleur, charnière à droite, 36 po
KRBL36-XX	Réfrigérateur à congélateur inférieur, compresseur inférieur, couleur, charnière à gauche, 36 po
KRCR24	Colonne de réfrigérateur, charnière à droite, 24 po
KRCL24	Colonne de réfrigérateur, charnière à gauche, 24 po
KRCR24-OV	Colonne de réfrigérateur, recouvrement, charnière à droite, 24 po
KRCL24-OV	Colonne de réfrigérateur, recouvrement, charnière à gauche, 24 po
KRCR24-XX	Colonne de réfrigérateur, couleur, charnière à droite, 24 po
KRCL24-XX	Colonne de réfrigérateur, couleur, charnière à gauche, 24 po
KRCR30	Colonne de réfrigérateur, charnière à droite, 30 po
KRCL30	Colonne de réfrigérateur, charnière à gauche, 30 po
KRCR30-OV	Colonne de réfrigérateur, recouvrement, charnière à droite, 30 po
KRCL30-OV	Colonne de réfrigérateur, recouvrement, charnière à gauche, 30 po
KRCR30-XX	Colonne de réfrigérateur, couleur, charnière à droite, 30 po
KRCL30-XX	Colonne de réfrigérateur, couleur, charnière à gauche, 30 po

MODÈLES DE CONGÉLATEUR

Modèles	Description
KFCR18	Colonne de congélateur, charnière à droite, 18 po
KFCL18	Colonne de congélateur, charnière à gauche, 18 po
KFCR18-OV	Colonne de congélateur, recouvrement, charnière à droite, 18 po
KFCL18-OV	Colonne de congélateur, recouvrement, charnière à gauche, 18 po
KFCR18-XX	Colonne de congélateur, couleur, charnière à droite, 18 po
KFCL18-XX	Colonne de congélateur, couleur, charnière à gauche, 18 po
KFCR24	Colonne de congélateur, charnière à droite, 24 po
KFCL24	Colonne de congélateur, charnière à gauche, 24 po
KFCR24-OV	Colonne de congélateur, recouvrement, charnière à droite, 24 po
KFCL24-OV	Colonne de congélateur, recouvrement, charnière à gauche, 24 po
KFCR24-XX	Colonne de congélateur, couleur, charnière à droite, 24 po
KFCL24-XX	Colonne de congélateur, couleur, charnière à gauche, 24 po
KFCR30	Colonne de congélateur, charnière à droite, 30 po
KFCL30	Colonne de congélateur, charnière à gauche, 30 po
KFCR30-OV	Colonne de congélateur, recouvrement, charnière à droite, 30 po
KFCL30-OV	Colonne de congélateur, recouvrement, charnière à gauche, 30 po
KFCR30-XX	Colonne de congélateur, couleur, charnière à droite, 30 po
KFCL30-XX	Colonne de congélateur, couleur, charnière à gauche, 30 po

FR

NUMÉROS DE MODÈLE (SUITE)

MODÈLES DE VIN

Modèles	Description
KWCR18	Colonne de vin, charnière à droite, 18 po
KWCL18	Colonne de vin, charnière à gauche, 18 po
KWCR18-OV	Colonne de vin, recouvrement, charnière à droite, 18 po
KWCL18-OV	Colonne de vin, recouvrement, charnière à gauche, 18 po
KWCR18-XX	Colonne de vin, couleur, charnière à droite, 18 po
KWCL18-XX	Colonne de vin, couleur, charnière à gauche, 18 po
KWCR24	Colonne de vin, charnière à droite, 24 po
KWCL24	Colonne de vin, charnière à gauche, 24 po
KWCR24-OV	Colonne de vin, recouvrement, charnière à droite, 24 po
KWCL24-OV	Colonne de vin, recouvrement, charnière à gauche, 24 po
KWCR24-XX	Colonne de vin, couleur, charnière à droite, 24 po
KWCL24-XX	Colonne de vin, couleur, charnière à gauche, 24 po
KRWR24	Réfrigérateur avec vin, charnière à droite, 24 po
KRWL24	Réfrigérateur avec vin, charnière à gauche, 24 po
KRWR24-OV	Réfrigérateur avec vin, recouvrement, charnière à droite, 24 po
KRWL24-OV	Réfrigérateur avec vin, recouvrement, charnière à gauche, 24 po
KRWR24-XX	Réfrigérateur avec vin, couleur, charnière à droite, 24 po
KRWL24-XX	Réfrigérateur avec vin, couleur, charnière à gauche, 24 po

REMARQUE: -XX indique le modèle de couleur.

-BK pour Stealth - Noir

-YW pour Sol - Jaune

-PP pour Lush - Violet

-GG pour Pacific Fog - Gris graphite

-WH pour Froth - Blanc

-OR pour Citra - Orange

-BU pour Prince - Bleu

-RD pour Matador - Rouge

-BG pour Tin Roof - Bourgogne

-GR pour Grove - Vert


-TQ pour Bora Bora - Turquoise

PLAQUE SIGNALÉTIQUE

L'étiquette d'évaluation contient des informations importantes sur votre appareil Hestan, telles que le modèle, le numéro de série et les caractéristiques électriques.

L'étiquette d'évaluation est située sur la paroi interne de l'appareil.

Si un entretien est nécessaire, contactez le service clientèle de Hestan avec les informations sur le modèle et le numéro de série figurant sur la plaque.

HESTAN COMMERCIAL CORP. ANAHEIM, CA - USA		
Fridge Gas Fill Charge Quantité de Gaz Réfrigérateur	4,5 oz	MODEL
Freezer Gas Fill Charge Quantité de Gaz Congélateur	4,2 oz	CODE
Total Absorbed Current Courant Absorbée Totale	4,8 A	KRPR36
Voltage Tension	115 V	SER.NO./N° SERIE
Frequency Frequence	60 Hz	F20200000000001
Refrigerant Gas Type Type de Gaz Réfrigérant	R134a	 ETL LISTED CONFORMS TO ANSI/UL STD 250 CERTIFIED TO CAN/CSA STD C22.2 NO.63
Made in Italy		

PLAQUE SIGNALÉTIQUE TYPIQUE

EXIGENCES RÉGLEMENTAIRES / CODE

L'installation de cet appareil doit être effectuée conformément aux codes locaux. En l'absence de codes locaux, cet appareil doit être installé conformément au code national de l'électricité et aux codes locaux.

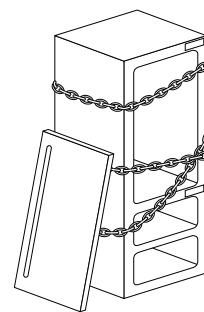
Cet appareil doit être mis à la terre conformément aux codes locaux ou en l'absence de codes locaux avec le code électrique national ANSI / NFPA 70 ou le code électrique canadien CSA C22.1.

POUR LA SÉCURITÉ DES ENFANTS



Risque d'enfermement pour les enfants. Avant de jeter un vieux réfrigérateur ou congélateur:

- Retirer les portes
- Laisser les étagères en place afin d'empêcher que des enfants grimpent dedans.



FR

EMPLACEMENT ET PRÉPARATION

PRÉPARATION ET DÉBALLAGE

Avant de déplacer le réfrigérateur:

- Protégez tout revêtement de sol fini pour éviter tout dommage.
- La grille et les éléments de garniture sont emballés à l'arrière de l'unité. Les poignées et autres articles peuvent également être emballés à l'arrière. Retirez tous ces éléments avant de retirer l'appareil de la palette. Voir "PRÉPARATION DE L'INSTALLATION" à la page 10 pour plus d'informations

information.

- Assurez-vous que l'alimentation peut être fournie à l'emplacement sélectionné.

DIMENSIONS ET POIDS EMBALLÉS

	Largeur	Hauteur	Profondeur	Poids
Modèles 18 po	28-11/32 po [720 mm]	89 po [2260 mm]	30-1/8 po [765 mm]	342 lb [155 kg]
Modèles 24 po	28-11/32 po [720 mm]	89 po [2260 mm]	30-1/8 po [765 mm]	507 lb [230 kg]
Modèles 30 po	34-1/4 po [870 mm]	89 po [2260 mm]	30-1/8 po [765 mm]	606 lb [275 kg]
Modèles 36 po	40-5/32 po [1020 mm]	89 po [2260 mm]	30-1/8 po [765 mm]	650 lb [295 kg]

ÉLECTRICITÉ ET APPROVISIONNEMENT EN EAU

Tension d'alimentation: 115V 60Hz 15A

Unités avec machine à glaçons: Ne vous connectez qu'à de l'eau potable.

Pression d'alimentation: en cas de filtration externe, entre 7,3 à 73 psi [0,5 à 5,0 Bar]

Si vous utilisez un filtre à eau fourni, de 25,4 à 73 psi [1,75 à 5,0 bar].

Tube de raccordement d'eau: femelle 3/4 po (voir l'avis à la page 13 pour plus de détails)

ACCESSOIRES D'INSTALLATION FOURNIS

Kit de montage sur panneaux personnalisé (inclus avec les modèles -OV uniquement)

Kit anti-renversement

Kit de connexion latérale

Voir "PRÉPARATION DE L'INSTALLATION" à la page 10 pour plus d'informations sur le déballage.

OUTILS NÉCESSAIRES

Les outils suivants sont nécessaires pour l'installation de l'appareil:

- Tournevis cruciforme
- Perceuse électrique et trépan 1/8 po, plus trépan 3/8 po pour maçonnerie
- Clé plate ou réglable de 17 mm (ou 11/16 po)
- Clé à douilles de 13 mm (ou 1/2 po), extension et poignée
- Clés Allen de 2,5 mm et 4 mm

Si vous installez deux unités ensemble

- Pince à riveter manuelle (pistolet à riveter Pop)

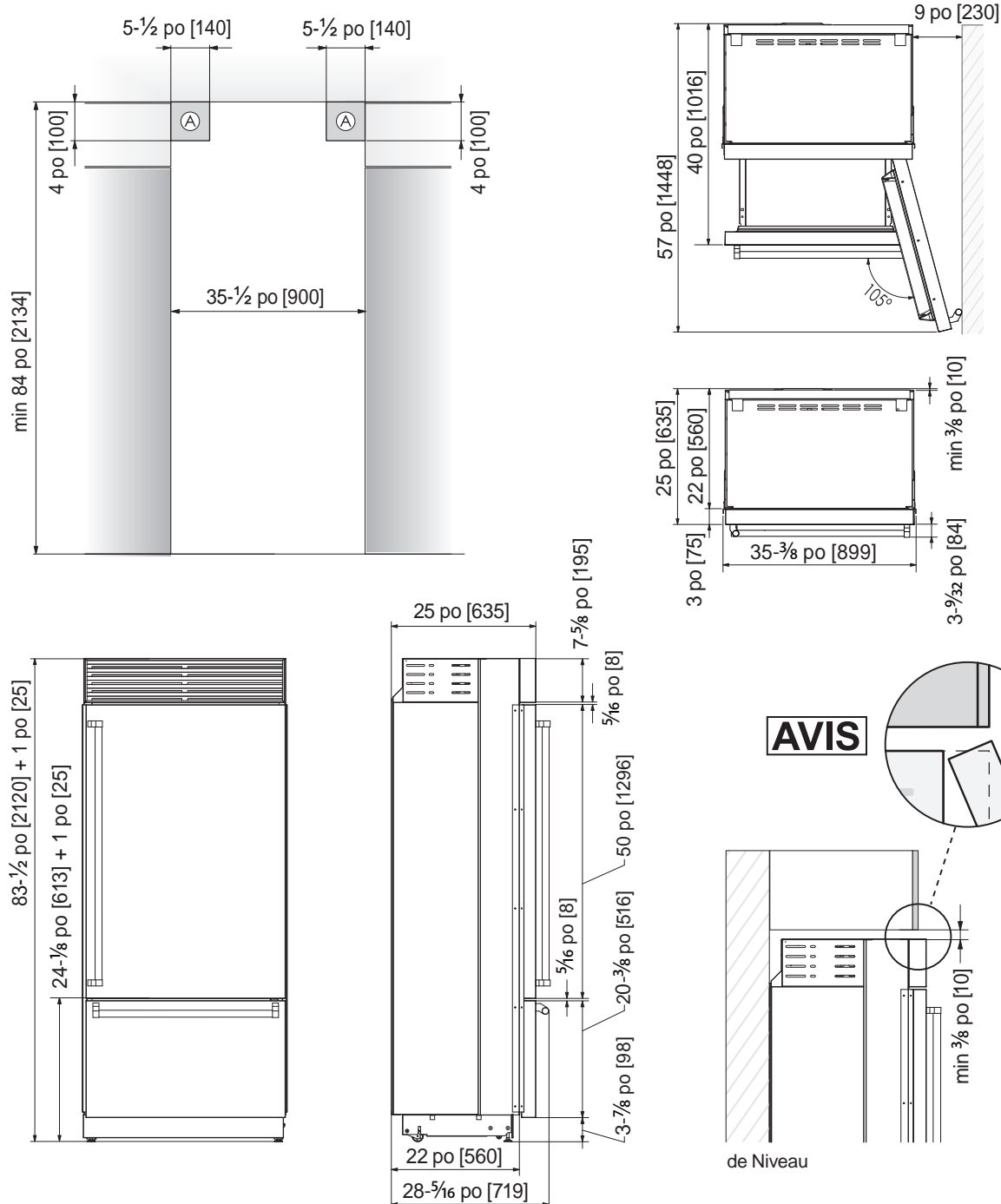
EMPLACEMENT ET PRÉPARATION (SUITE)

DÉCOUPE D'INSTALLATION - MODÈLES KRP

FR

Hauteur de l'encastrement	84 po [2134 mm]	Largeur de l'encastrement	35-1/2 po [900 mm]
Encombrement avec porte ouverte	57 po [1448 mm]	Angle d'ouverture de la porte	105°
Largeur	35-3/8 po [899 mm]	Hauteur	83-1/2 po [2120 mm] + 1 po [25 mm]
Profondeur (sans panneau)	25 po [635 mm]		

Ⓐ Espace à réserver aux supports anti-renversement



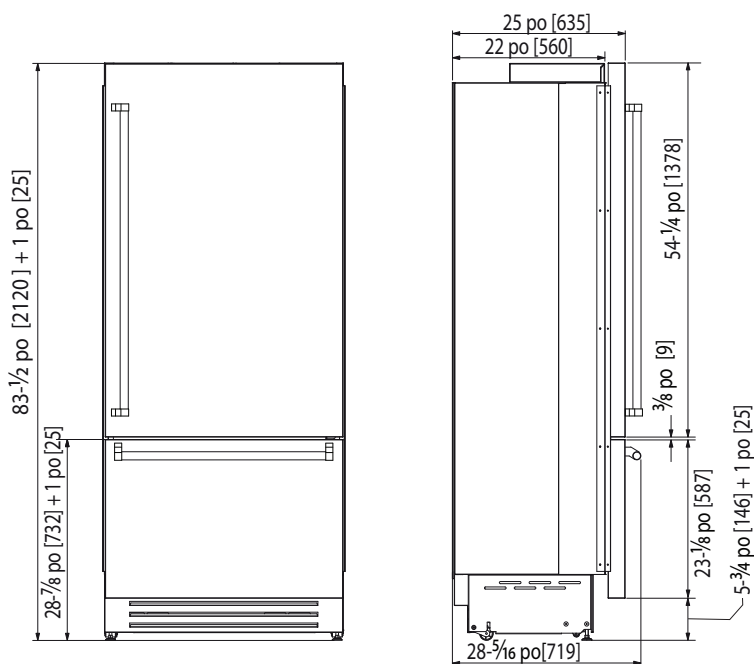
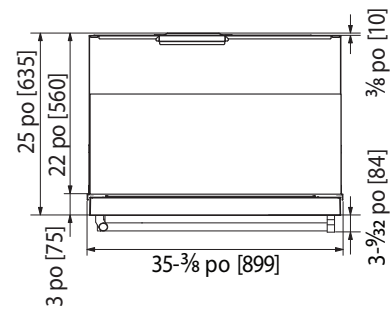
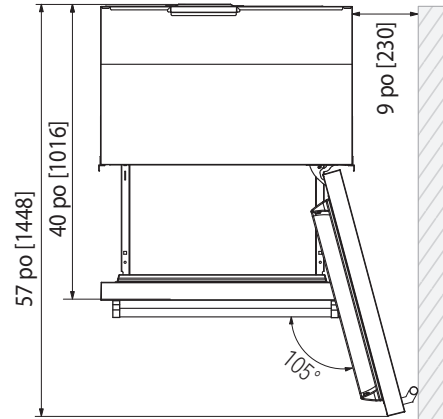
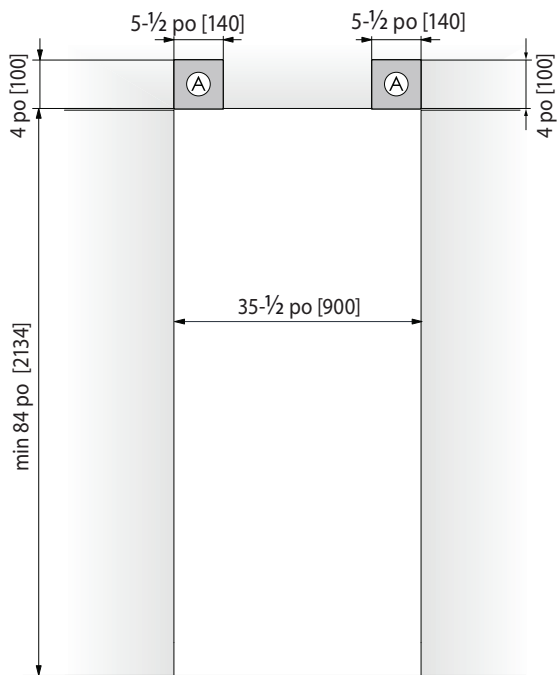
EMPLACEMENT ET PRÉPARATION (SUITE)

DÉCOUPE D'INSTALLATION - MODÈLES KRB AVEC SS OU COULEUR

FR

Hauteur de l'encastrement	84 po [2134 mm]	Largeur de l'encastrement	35-1/2 po [900 mm]
Encombrement avec porte ouverte	57 po [1448 mm]	Angle d'ouverture de la porte	105°
Largeur	35-3/8 po [899 mm]	Hauteur	83-1/2 po [2120 mm] + 1 po [25 mm]
Profondeur	25 po [635 mm]		

Ⓐ Espace à réserver aux supports anti-renversement



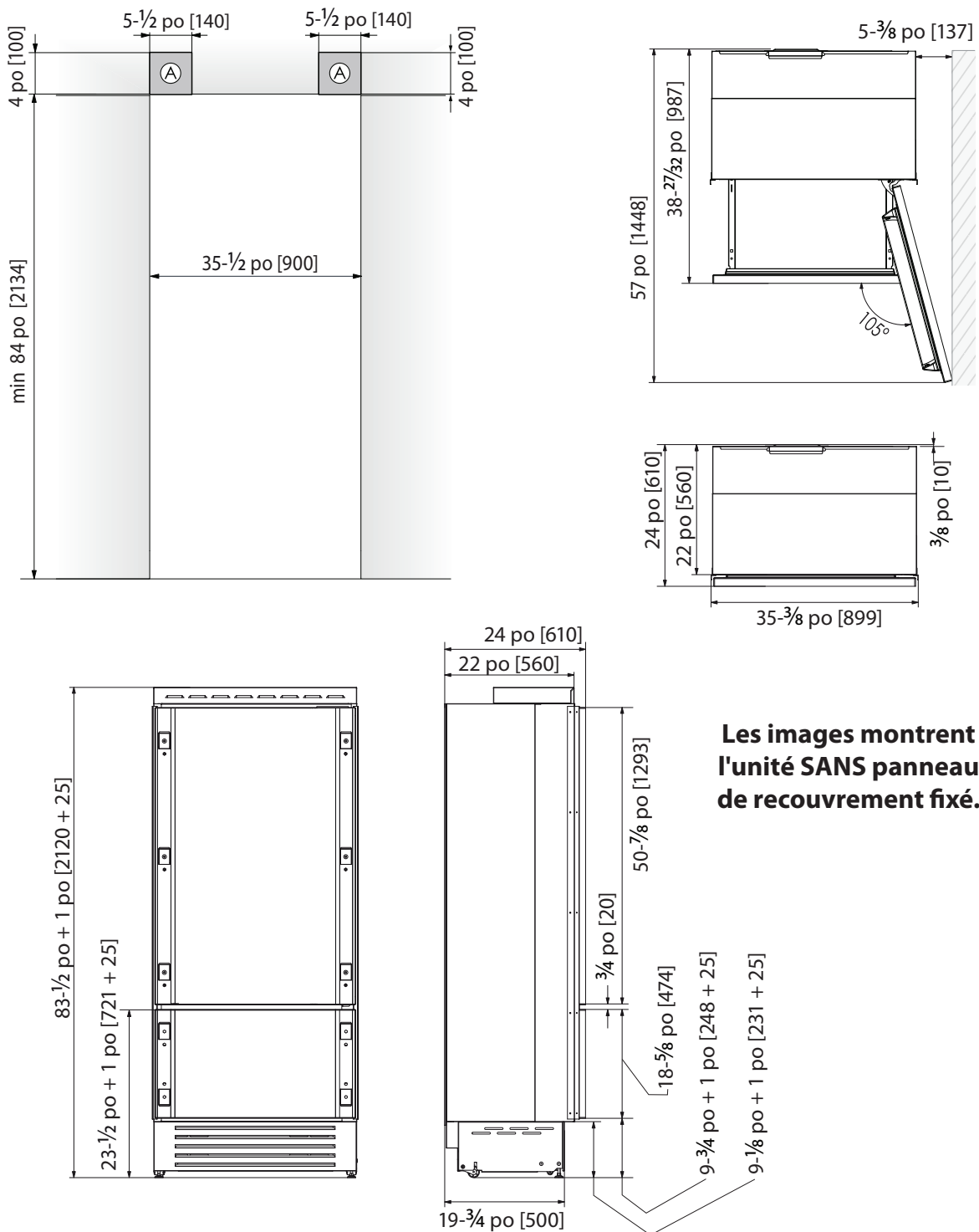
EMPLACEMENT ET PRÉPARATION (SUITE)

DÉCOUPE D'INSTALLATION - MODÈLES KRB-OV (RECOUVREMENT)

FR

Hauteur de l'encastrement	84 po [2134 mm]	Largeur de l'encastrement	35-1/2 po [900 mm]
Encombrement avec porte ouverte	57 po [1448 mm]	Angle d'ouverture de la porte	105°
Largeur	35-3/8 po [899 mm]	Hauteur	83-1/2 po [2120 mm] + 1 po [25 mm]
Profondeur (sans panneau)	24 po [610 mm]		

Ⓐ Espace à réserver aux supports anti-renversement



EMPLACEMENT ET PRÉPARATION (SUITE)

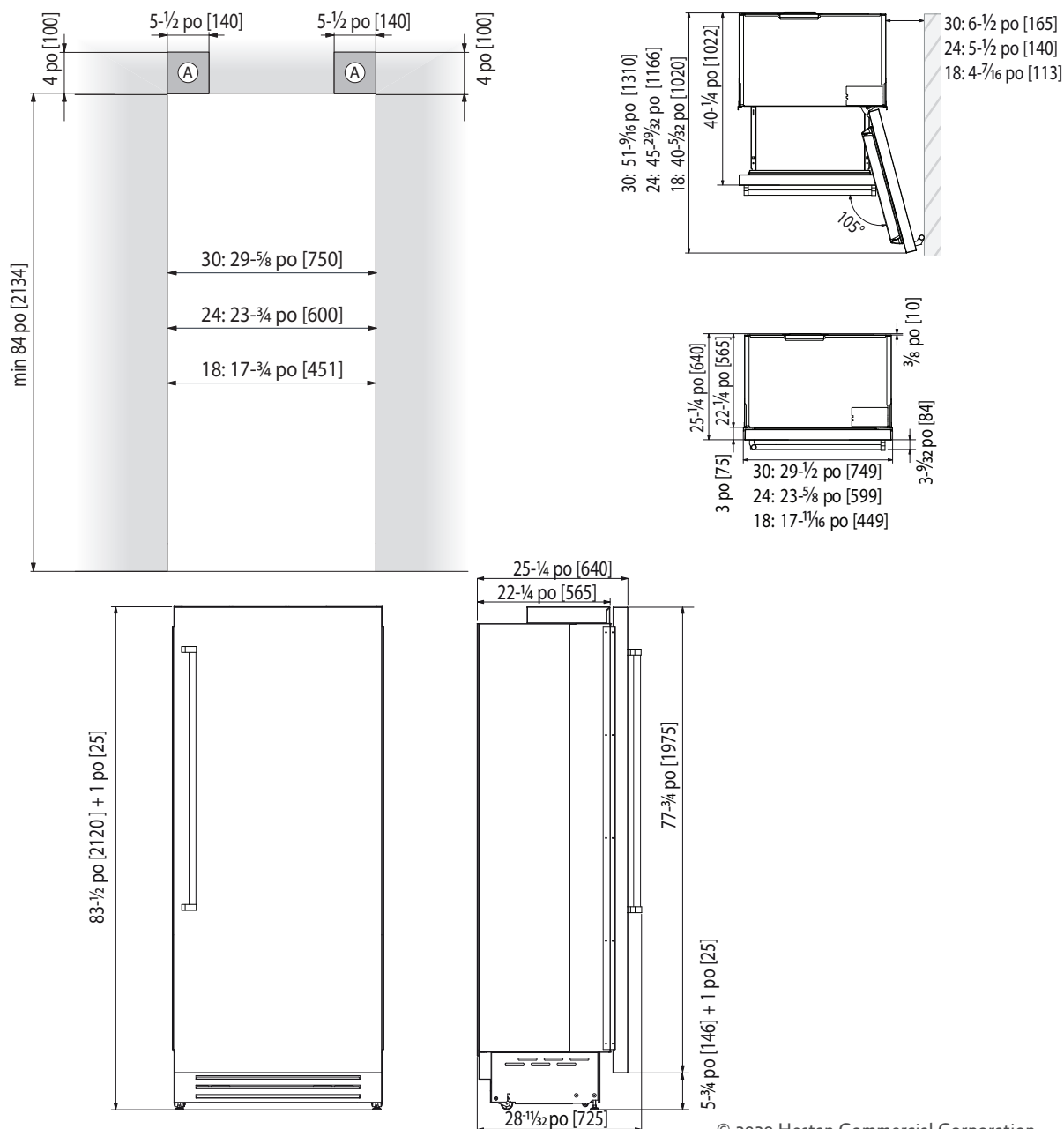
DÉCOUPE D'INSTALLATION - MODÈLES KRC, KFC, KWC, KRW AVEC SS OU COULEUR

RÉFRIGÉRATEURS ET CONGÉLATEURS À COLONNE DE 18, 24 ET 30 PO
COLONNE À VIN DE 18, 24 PO ET RÉFRIGÉRATEUR DE 24 PO AVEC VIN

FR

Hauteur de l'encastrement		Largeur de l'encastrement	
Modèles de 18 po	84 po [2134 mm]	Modèles de 18 po	17-3/4 po [451 mm]
Modèles de 24 po	84 po [2134 mm]	Modèles de 24 po	23-3/4 po [600 mm]
Modèles de 30 po	84 po [2134 mm]	Modèles de 30 po	29-5/8 po [750 mm]
Encombrement avec porte ouverte		Largeur	
Modèles de 18 po	40-5/32 po [1020 mm]	Modèles de 18 po	17-11/16 po [449 mm]
Modèles de 24 po	45-29/32 po [1166 mm]	Modèles de 24 po	23-5/8 po [599 mm]
Modèles de 30 po	51-9/16 po [1310 mm]	Modèles de 30 po	29-1/2 po [749 mm]
Angle d'ouverture de la porte		105°	
Hauteur		83-1/2 po [2120 mm] + 1 po [25 mm]	
Profondeur avec la Porte		25-1/4 po [640 mm]	

Ⓐ Espace à réserver aux supports anti-renversement



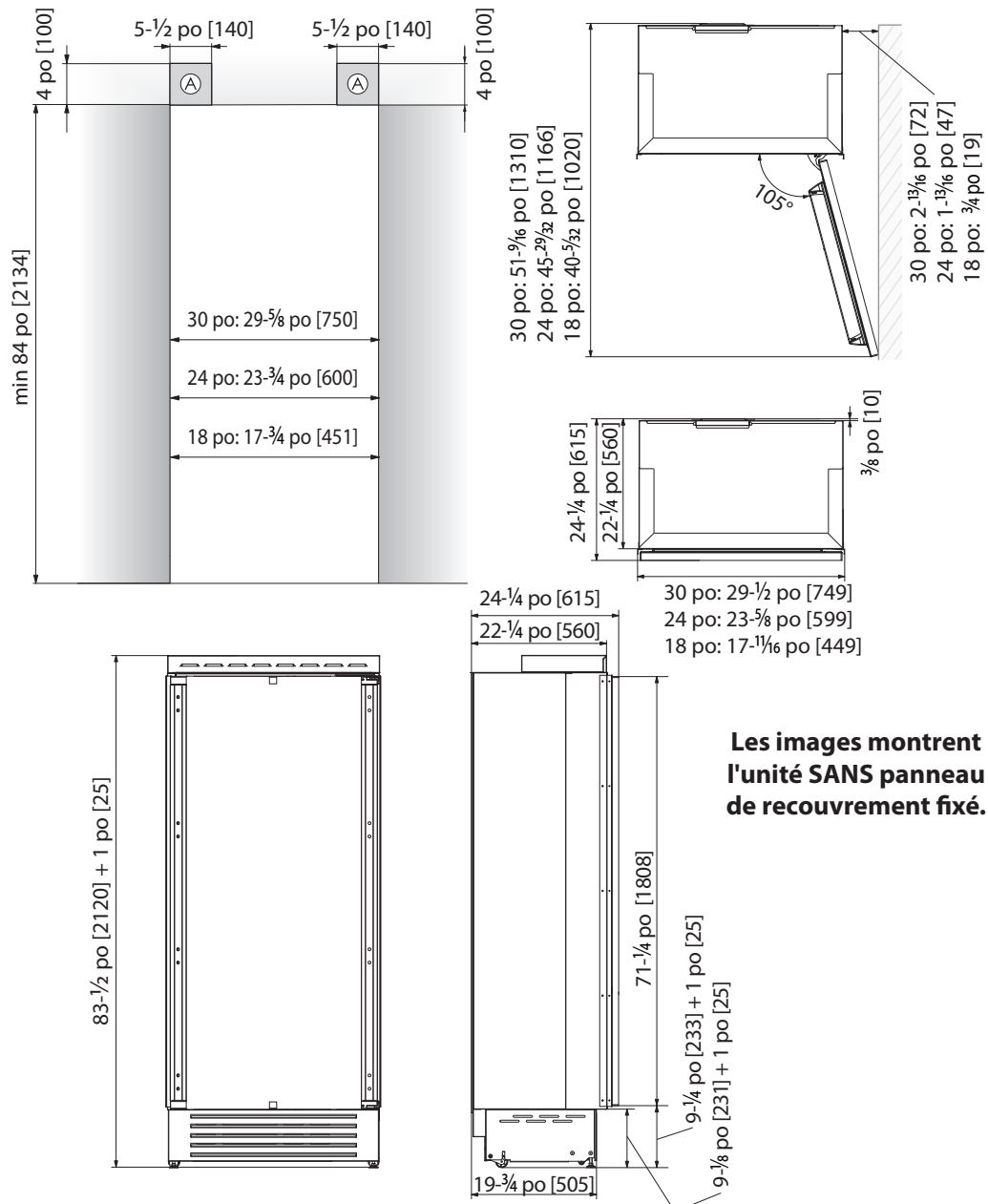
EMPLACEMENT ET PRÉPARATION (SUITE)

DÉCOUPE D'INSTALLATION - MODÈLES KRC, KFC, KWC, KRW-OV (RECOUVREMENT)

RÉFRIGÉRATEURS ET CONGÉLATEURS À COLONNE DE 18, 24 ET 30 PO
COLONNE À VIN DE 18, 24 PO ET RÉFRIGÉRATEUR DE 24 PO AVEC VIN

Hauteur de l'encastrement		Largeur de l'encastrement	
Modèles de 18 po	84 po [2134 mm]	Modèles de 18 po	17-3/4 po [451 mm]
Modèles de 24 po	84 po [2134 mm]	Modèles de 24 po	23-3/4 po [600 mm]
Modèles de 30 po	84 po [2134 mm]	Modèles de 30 po	29-5/8 po [750 mm]
Encombrement avec porte ouverte		Largeur	
Modèles de 18 po	40-5/32 po [1020 mm]	Modèles de 18 po	17-11/16 po [449 mm]
Modèles de 24 po	45-29/32 po [1166 mm]	Modèles de 24 po	23-5/8 po [599 mm]
Modèles de 30 po	51-9/16 po [1310 mm]	Modèles de 30 po	29-1/2 po [749 mm]
Angle d'ouverture de la porte		105°	
Hauteur		83-1/2 po [2120 mm] + 1 po [25 mm]	
Profondeur (sans panneau)		24-1/4 po [615 mm]	

Ⓐ Espace à réserver aux supports anti-renversement



PRÉPARATION DE L'INSTALLATION

Transport vers le site d'installation et déballage

S'agissant d'un appareil lourd et volumineux, vérifiez, avant de le transporter, l'accès à l'emplacement où il sera installé (taille de la porte, espace de manœuvre dans la cage d'escalier, etc.).

AVIS

La garniture latérale, les poignées de porte (modèles non OV), le gril et éventuellement d'autres articles seront emballés à l'arrière de l'appareil. Assurez-vous de retirer ces articles et leurs emballages avant de retirer l'appareil de la palette.

L'appareil est fixé à la base de l'emballage (palette) à l'aide de quatre boulons qui peuvent être retirés à l'aide d'une clé de 17 mm (11/16 po).

Il est recommandé d'utiliser un transpalette ou un autre dispositif de transport pour déplacer l'appareil sur le site d'installation, et uniquement à ce stade pour retirer la base de l'emballage.

⚠ PRÉCAUTION

L'appareil doit toujours être transporté en position verticale. Si cela n'est pas possible, transportez l'appareil à l'arrière.

Une fois sur le site d'installation, l'appareil, équipé de quatre roues, peut être retiré de la palette et placé dans la zone d'installation.

Retirer l'appareil de la palette:

- 1) Retirez les quatre boulons ① fixant l'appareil à la palette à l'aide d'une clé de 17 mm (11/16 po).
- 2) Retirez les supports de retenue arrière ④.
- 3) Pour retirer les supports de fixation avant ③, dévisser les boulons de réglage de roue arrière ② d'un ou deux tours à l'aide d'une clé de 13 mm. Cela dégagera les supports de fixation avant ③ afin que vous puissiez les retirer.
- 4) À l'arrière de l'appareil et à l'aide d'un chariot manuel approprié, retirez l'appareil et posez-le sur le sol.

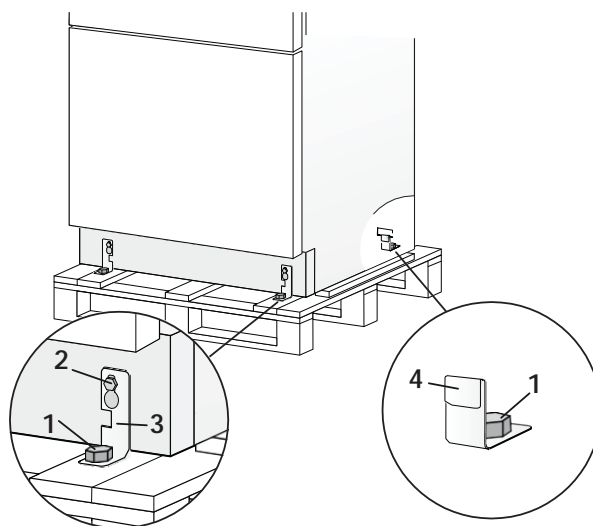
Faites très attention à ne pas endommager les sols. Les sols délicats doivent être protégés avec du contreplaqué, du carton dur ou similaire.

⚠ AVERTISSEMENT

L'appareil est très lourd. Faites très attention lors de la manipulation pour éviter les blessures.

AVIS

L'appareil doit toujours être transporté en position verticale. Évitez à tout prix de le pencher sur sa face avant.



EMPLACEMENT ET PRÉPARATION (SUITE)

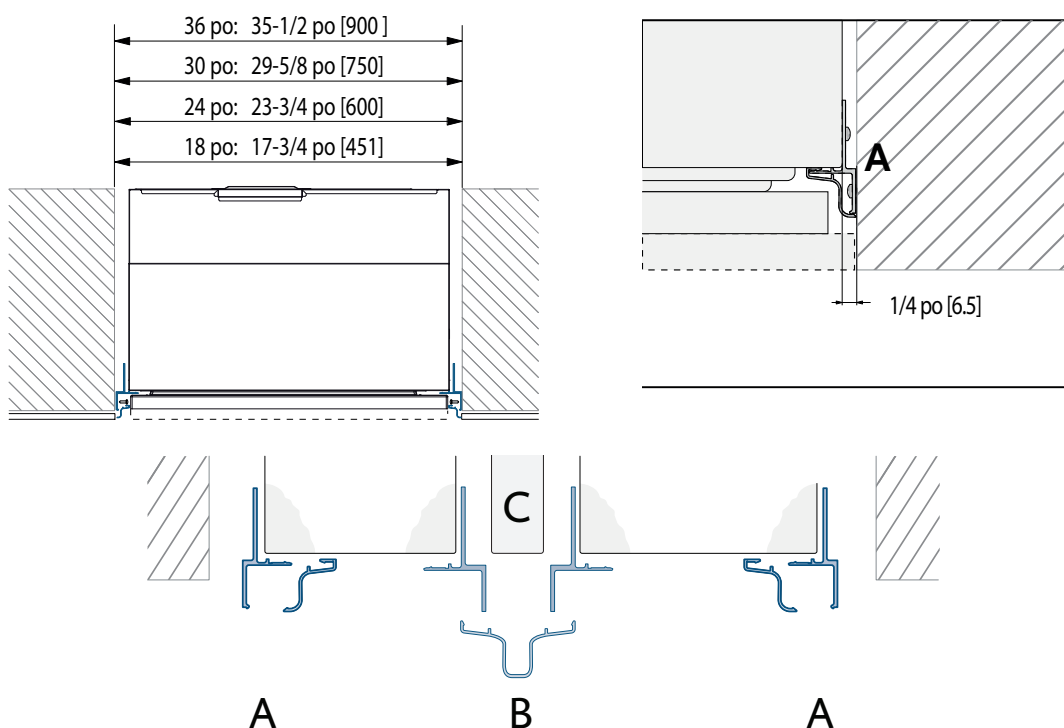
Articles inclus supplémentaires

Plusieurs articles sont expédiés à l'intérieur de l'appareil. Ceux-ci inclus:

- Manuels
- Matériel d'installation des panneaux (modèles -OV)
- Raccord de connexion à l'eau, filtre à eau (modèles avec machine à glaçons)
- Supports anti-renversement
- Articles de soin - chiffon et / ou éponge à lustrer.

DIMENSIONS DE DÉCOUPAGE ET MÉTHODES D'INSTALLATION - ENCASTRÉ

Modèles	Coupé	Largeur du Panneau
Modèles KRB36	35-1/2 po [900 mm]	35-1/4 po [897 mm]
Collones de 30 po (KxCx30)	29-5/8 po [750 mm]	29-3/8 po [747 mm]
Colonnes de 24 po et Vin (KxCx24, KRWx24)	23-3/4 po [600 mm]	23-1/2 po [597 mm]
Colonnes de 18 po (KxCx18)	17-3/4 po [451 mm]	17-1/2 po [445 mm]

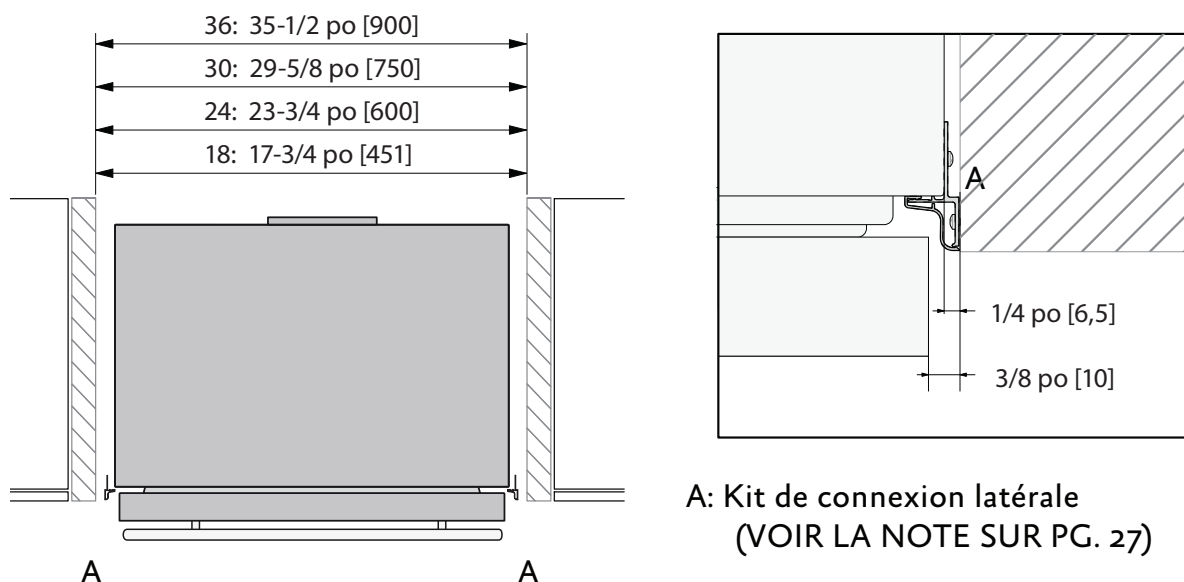


- Kit de connexion latérale (accessoire inclus) (VOIR LA NOTE SUR Page 27)
AKRLJK (pour les modèles KRB, KRC, KFC, KWC et KRW)
AKRLJKP (pour les modèles KRP)
- Kit de connexion central, requis pour joindre 2 unités
(Non inclus - doit être commandé en tant qu'accessoire séparé)
AKRCJK-OV (pour les modèles KRB, KRC, KFC, KWC et KRW avec façade superposée)
AKRCJK (pour les modèles KRB, KRC, KFC, KWC et KRW avec façade en acier inoxydable ou coloré)
AKRCJKP (pour les modèles KRP)
- Kit anti-condensation AKRACPP, nécessaire pour connecter deux unités KRP.
(Non inclus - doit être commandé en tant qu'accessoire séparé)

EMPLACEMENT ET PRÉPARATION (SUITE)

DIMENSIONS DE LA DÉCOUPE ET MÉTHODES D'INSTALLATION - NON ENCASTRÉ

En cas d'installation non encastré, la même garniture latérale est utilisée et la même largeur de découpe est requise.



CONNEXIONS

CONNEXION ELECTRIQUE ET EAU

⚠ PRÉCAUTION


N'utilisez pas de rallonges ni d'adaptateurs multiples pour la connexion au bloc d'alimentation.

N'utilisez pas de rallonges ni d'adaptateurs.

Le filtre Hestan intégré ne peut rendre aucune eau potable, il doit être utilisé avec une eau déjà adaptée à la consommation humaine.

AVIS

Alarme d'approvisionnement en eau:

Si vous devez couper l'alimentation en eau une fois que l'appareil est complètement installé, connecté à l'alimentation en eau (le cas échéant) et opérationnel, appuyez sur le commutateur Marche / Arrêt  pour éteindre l'appareil d'abord pour éviter une alarme «NO WATER IN».

CONNEXIONS (SUITE)

Les appareils sont livrés de l'usine pour fonctionner à 110V-120V AC - 60Hz (États-Unis et Canada). Ils sont fournis avec un cordon d'alimentation et une fiche appropriés à brancher sur une prise 15A appropriée (États-Unis et Canada) dotée d'une mise à la terre efficace.

Un disjoncteur doit également être installé et doit être facilement accessible afin qu'il puisse être facilement désactivé avant toute installation ou maintenance.

Pour se connecter au système d'alimentation en eau (pour les appareils équipés de machines à glaçons), une conduite d'eau de 1/4 po avec vanne d'arrêt accessible doit être fournie.

L'appareil est fourni avec un coude d'adaptation d'eau adapté à la pression d'eau élevée et conforme aux réglementations en vigueur. La cartouche de filtre à eau fournie avec l'appareil doit être installée conformément aux instructions fournies.

Les modèles KRP et KRB ont le filtre à eau monté au-dessus du compartiment du réfrigérateur, au-dessus du panneau de verre.

Les modèles KFC sont fournis avec un filtre à eau qui doit être monté à l'extérieur de l'unité.

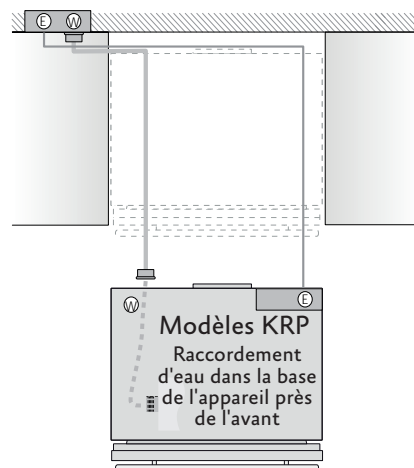
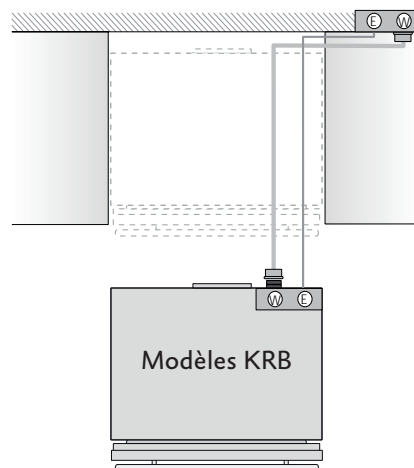
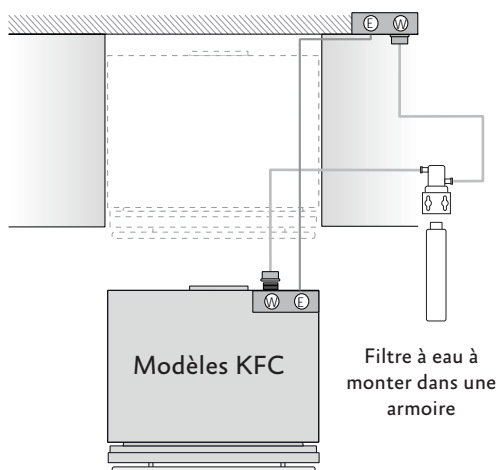
AVIS

Utilisez uniquement le nouvel adaptateur fourni avec l'appareil. La connexion du solénoïde sur l'appareil ressemble à 3/4 po, mais est filetée métrique. Un connecteur fileté de tuyau d'arrosage standard, tel qu'un tuyau en acier inoxydable tressé, que l'on trouve dans les quincailleries typiques, risque de dénuder ou d'endommager les filets de l'électrovanne. Utilisez uniquement l'adaptateur coudé à raccordement rapide fourni de 1/4 po pour raccorder une conduite d'eau de source en cuivre ou en polyéthylène de 1/4 po à l'appareil.

Longueur du cordon électrique: 78-3/4 po [2000 mm]

Longueur de la conduite de raccordement à l'eau: 98-3/8 po [2500 mm]


Voir page suivante pour plus d'informations.



MODÈLES KRP

Connectez-vous comme suit:

Déroulez le cordon électrique et branchez-le directement à la prise murale.

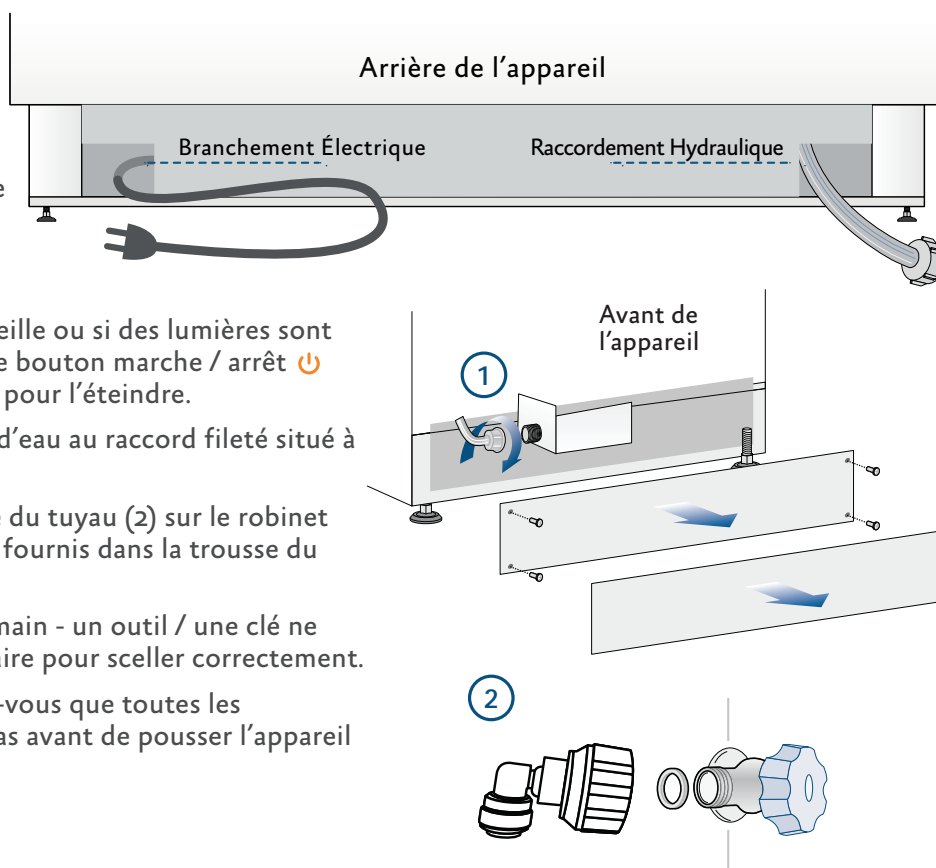
Observez l'affichage des informations. Si l'appareil n'est pas en veille ou si des lumières sont allumées, appuyez sur le bouton marche / arrêt  pendant trois secondes pour l'éteindre.

Connectez la conduite d'eau au raccord fileté situé à la base de l'appareil. (1)

Placez l'autre extrémité du tuyau (2) sur le robinet d'eau, utilisez les joints fournis dans la trousse du propriétaire.

Serrez fermement à la main - un outil / une clé ne devrait pas être nécessaire pour sceller correctement.

Ouvrez l'eau et assurez-vous que toutes les connexions ne fuient pas avant de pousser l'appareil dans l'ouverture.



TOUS LES AUTRES MODÈLES

Connectez-vous comme suit:

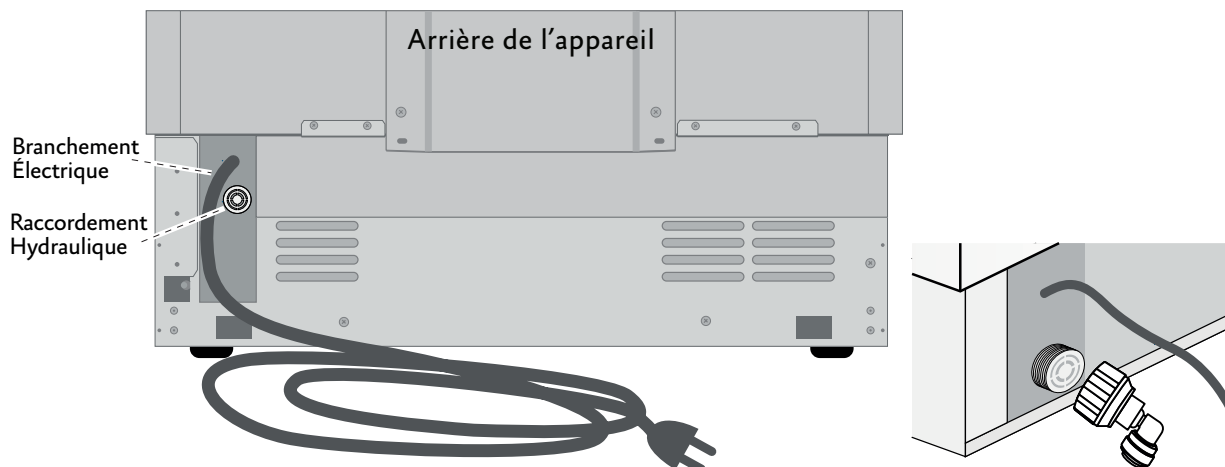
Déroulez le cordon électrique et branchez-le directement à la prise murale.

Observez l'affichage des informations. Si l'appareil n'est pas en veille ou si des lumières sont allumées, appuyez sur le bouton Marche / Arrêt  pour l'éteindre.

Enfoncez complètement la conduite d'eau source 1/4 po dans le raccord coudé, puis vissez l'adaptateur coudé sur le solénoïde à l'arrière de l'appareil.

Serrez fermement à la main - un outil ou une clé ne devrait pas être nécessaire pour sceller correctement.

Ouvrez l'eau et assurez-vous que toutes les connexions ne fuient pas avant de pousser l'appareil dans la niche.



PRÉPARATION DES PANNEAUX DÉCORATIFS

PRÉPARATION DE PANNEAU DÉCORATIF DE PORTE ET DE TIROIR

Panneaux décoratifs:

Les dimensions des panneaux sont indiquées dans le tableau et les dessins des pages suivantes.

Pour aligner les panneaux avec d'autres structures de cuisine, les dimensions peuvent être ajustées si le panneau de porte doit être plus haut que le bord supérieur de la porte du réfrigérateur et / ou si le panneau de tiroir doit être plus bas que le bord du tiroir.

Les panneaux doivent être montés à l'aide de supports spéciaux qui se fixent aux dispositifs réglables de la porte et du tiroir et à des supports fixant et orientant le panneau dans le sens vertical.

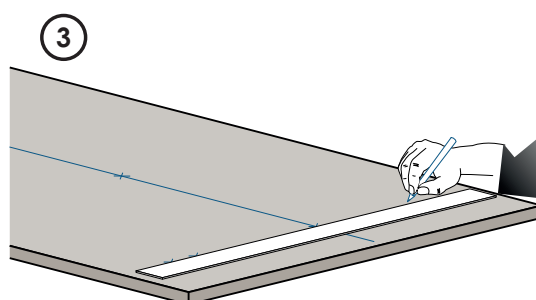
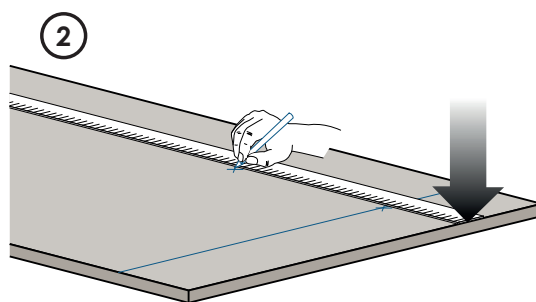
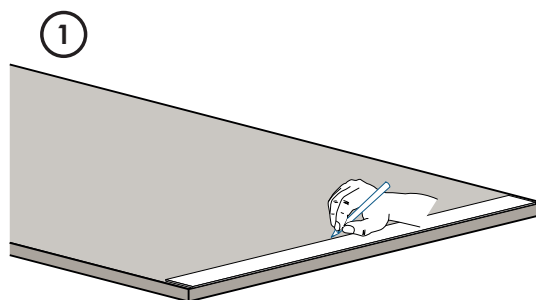
Les entretoises, les supports et les vis de fixation sont fournis avec l'appareil et doivent être appliqués sur le panneau comme indiqué.

Procédure de mise en page:

Pour préparer les panneaux à monter sur l'appareil, procédez comme suit, en travaillant au dos du panneau.

Panneau de porte

- 1) Tracez une ligne divisant la largeur du panneau en deux. (1)
- 2) En commençant par le bord inférieur du panneau, marquez l'emplacement des supports. (2)
- 3) En suivant le tableau correspondant, marquez le trou externe puis le trou interne. (3)



PRÉPARATION DE PANNEAU DÉCORATIF DE PORTE ET DE TIROIR (SUITE)

Monter les supports

- 4) Positionnez les supports sur chaque jeu de marques pour vous assurer qu'ils sont alignés. (4)

Notez que le support est monté avec la bride vers le haut de la porte.

- Si nécessaire, percez des trous de départ dans le panneau. (5)
(Utilisez un arrêt de la perceuse pour éviter de percer ou d'endommager la surface de finition.)

AVIS

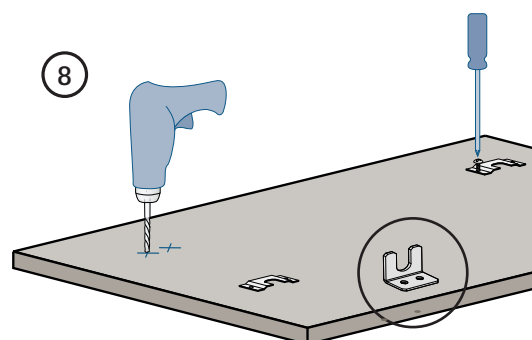
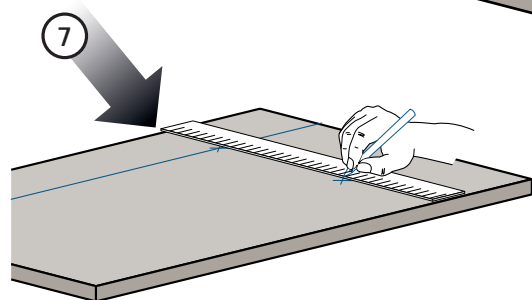
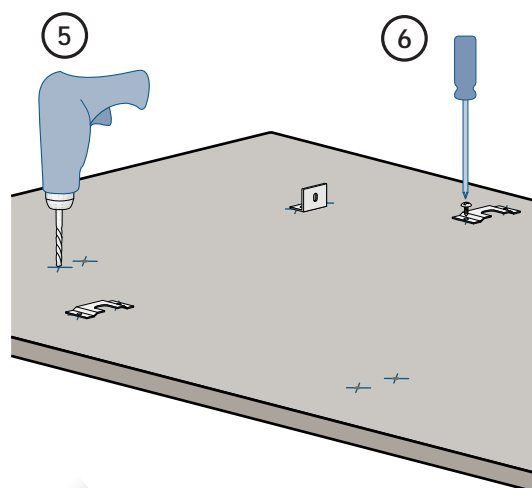
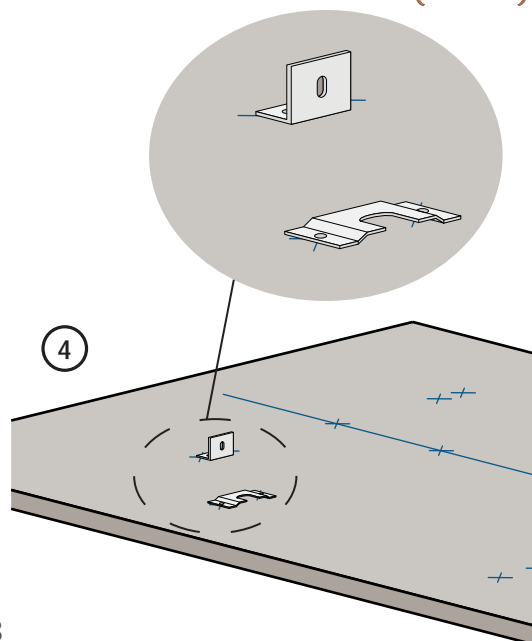
Le kit d'installation comprend des vis de 5/8 po. Si le panneau n'est pas sensiblement plus épais que 5/8 po, vous aurez besoin de vis plus courtes.

- 5) Vissez les supports en place. (6)

Panneau de Tiroir

Lorsque vous préparez le panneau de tiroir, suivez les mêmes instructions que pour le panneau de porte, mais assurez-vous que les mesures sont prises en partant du bord supérieur. (7)

Le support est placé dans le sens opposé du support du panneau de porte. (Comparez les images 4 et 8)

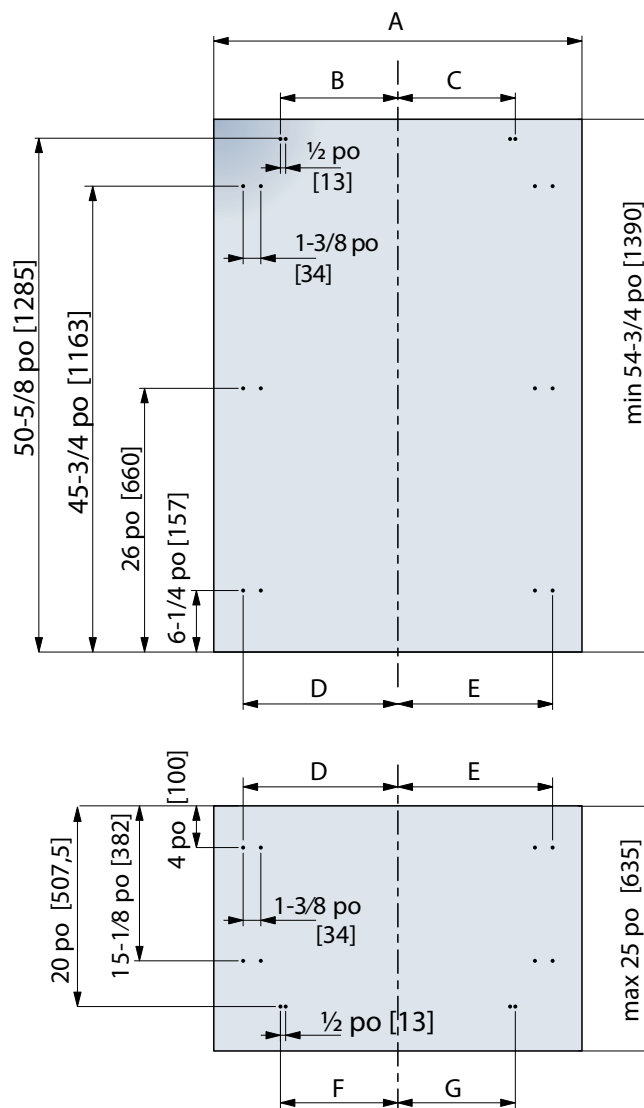
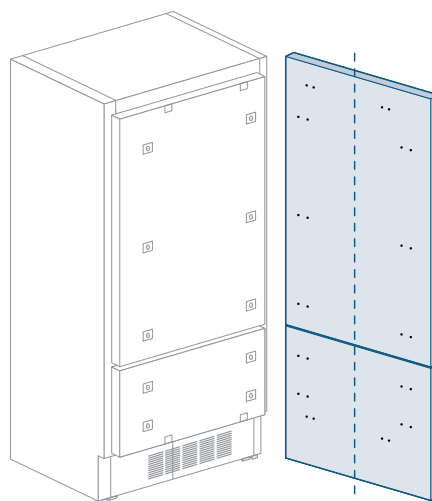


PRÉPARATION DES PANNEAUX DÉCORATIFS (SUITE)

DIMENSIONS DU PANNEAUX KRB -OV

FR

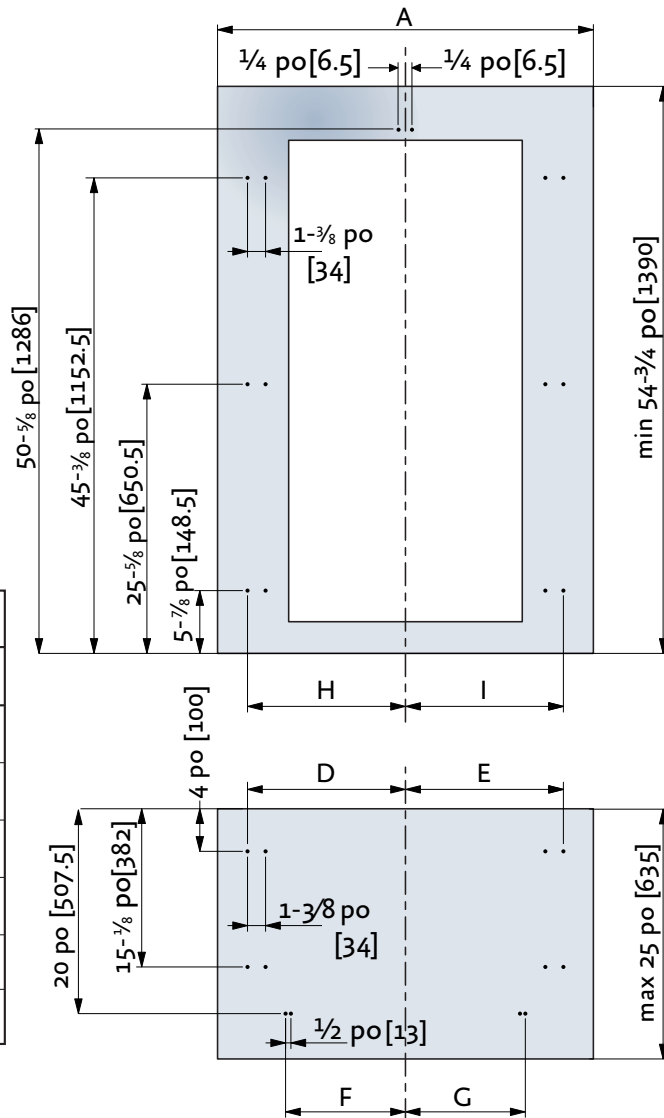
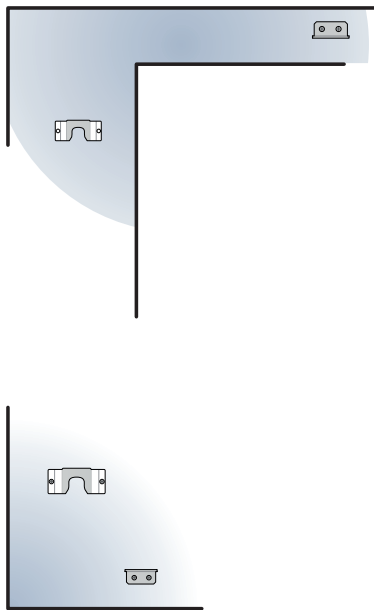
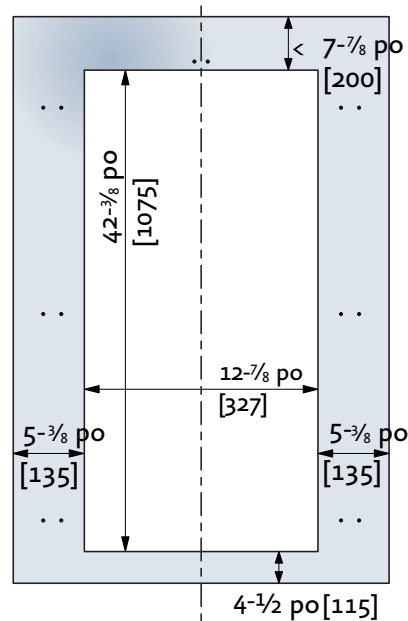
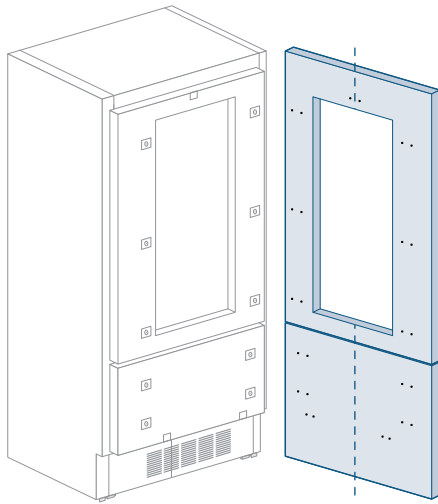
KRBx36-OV		
	Charnière Gauche	Charnière Droite
A	35-1/4 po [897]	35-1/4 po [897]
B	14 po [355,5]	10-1/4 po [261]
C	10-1/4 po [261]	14 po [355,5]
D	16-1/2 po [418]	15-1/4 po [386]
E	16-1/2 po [418]	15-1/4 po [386]
F / G	14 po [354,5]	14 po [354,5]



PRÉPARATION DES PANNEAUX DÉCORATIFS (SUITE)

FR

DIMENSIONS DU PANNEAUX KRW - OV



MODÈLE KRWx24-OV		
	Charnière Gauche	Charnière Droite
A	23-1/2 po [597]	23-1/2 po [597]
D	10-7/8 po [276.5]	9-3/8 po [236.5]
E	9 3/8 po [236.5]	10-7/8 po [276.5]
F / G	8 po [203.5]	8 po [203.5]
H	10-5/8 po [270.5]	9-1/8 po [230.5]
I	9-1/8 po [230.5]	10-5/8 po [270.5]

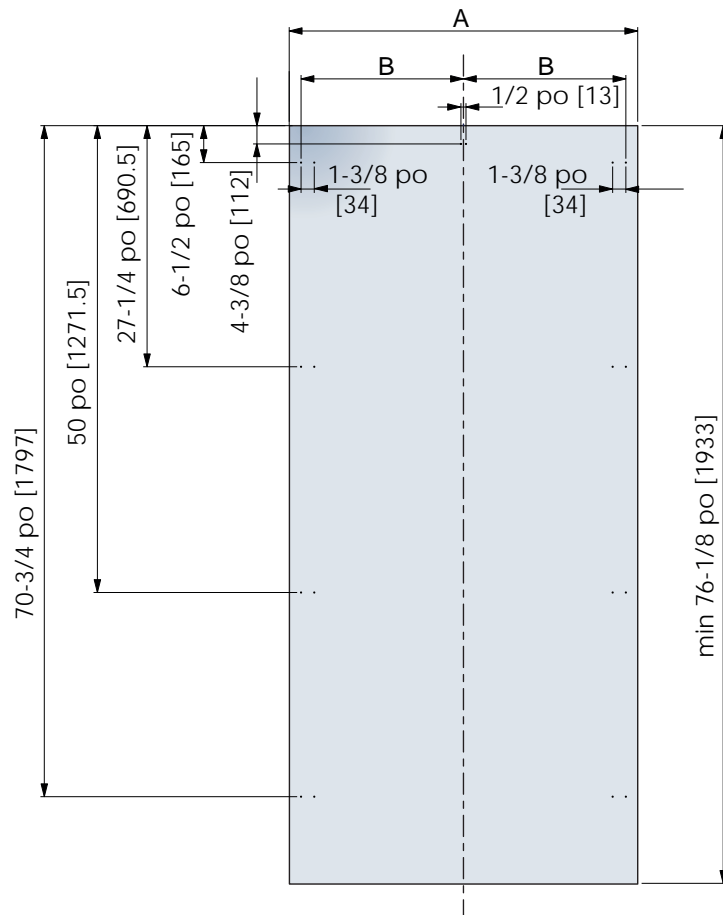
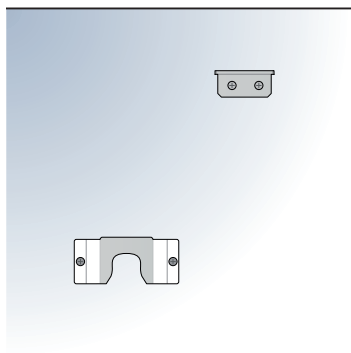
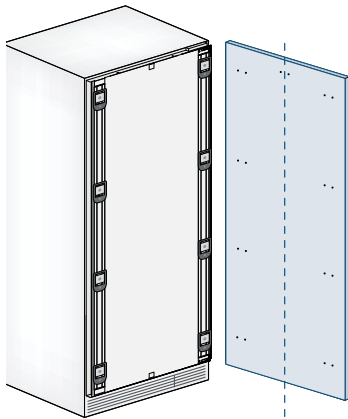
PRÉPARATION DES PANNEAUX DÉCORATIFS (SUITE)

DIMENSIONS DU PANNEAUX KRC, KFC - OV

Voir "DIMENSIONS DU PANNEAU KRW - OV" à la page 18 pour les modèles KRW.

Voir "DIMENSIONS DU PANNEAU KWC - OV" à la page 20 pour les modèles KWC.

	Collone -OV - 30 po		Collone -OV - 24 po		Collone -OV - 18 po	
	Charnière Gauche	Charnière Droite	Charnière Gauche	Charnière Droite	Charnière Gauche	Charnière Droite
A	29- ³ / ₈ po [747]	29- ³ / ₈ po [747]	23- ¹ / ₂ po [597]	23- ¹ / ₂ po [597]	17- ⁵ / ₈ " [447]	17- ⁵ / ₈ " [447]
B	13- ¹ / ₂ po [343]	13- ¹ / ₂ po [343]	10- ⁷ / ₈ po [276.5]	10- ¹ / ₂ po [268]	7- ⁷ / ₈ " [200]	7- ⁷ / ₈ " [200]
B	13- ¹ / ₂ po [343]	13- ¹ / ₂ po [343]	10- ¹ / ₂ po [268]	10- ⁷ / ₈ po [276.5]	7- ⁷ / ₈ " [200]	7- ⁷ / ₈ " [200]

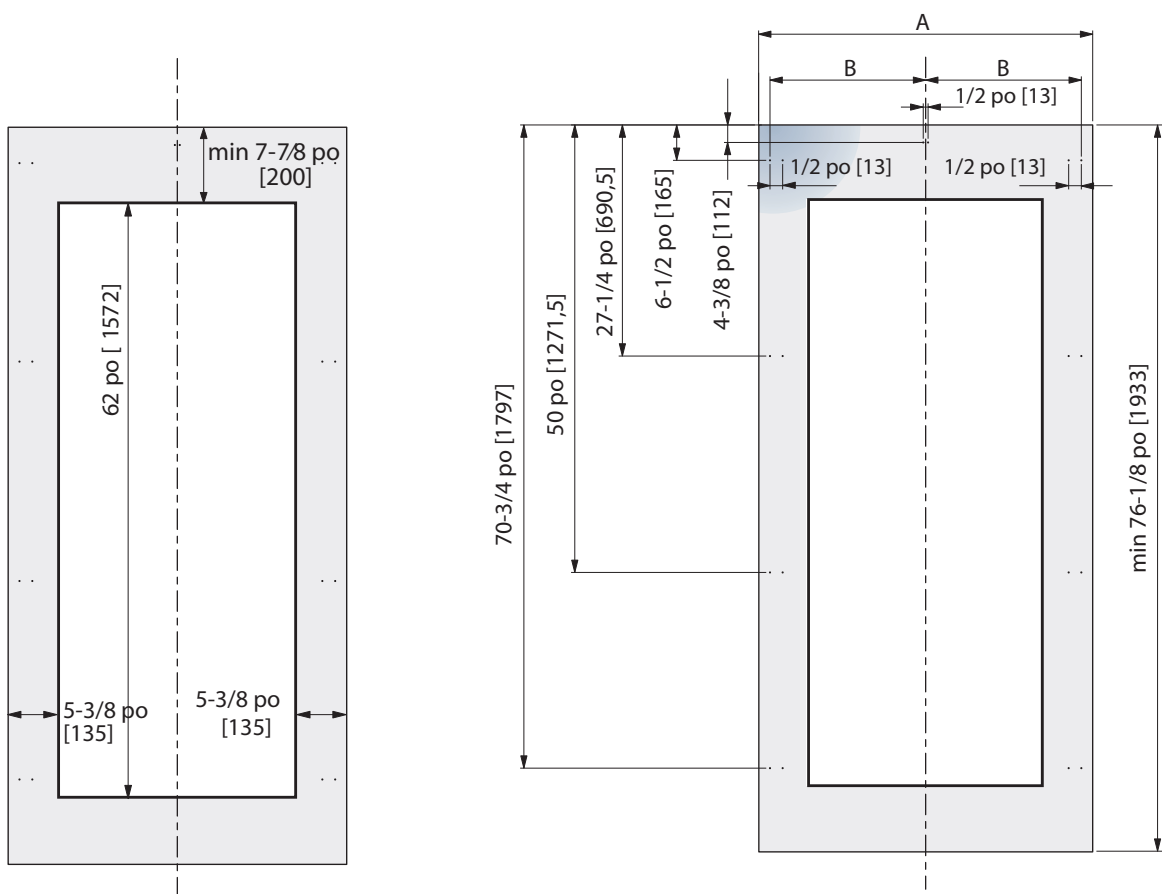
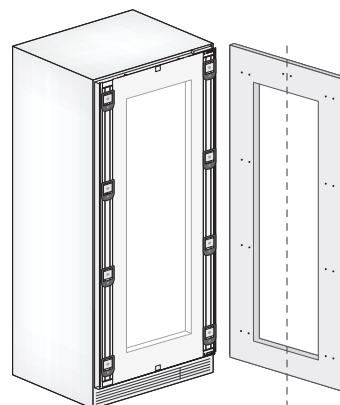


PRÉPARATION DES PANNEAUX DÉCORATIFS (SUITE)

DIMENSIONS DU PANNEAUX KWC - OV

FR

	MODÈLE KWCx24-OV		MODÈLE KWCx18-OV	
	Charnière Gauche	Charnière Droite	Charnière Gauche	Charnière Droite
A	23-1/2 po [597]	23-1/2 po [597]	17-5/8" [447]	17-5/8" [447]
B	10-7/8 po [276.5]	10-1/2 po [268]	7-7/8" [200]	7-7/8" [200]
B	10-1/2 po [268]	10-7/8 po [276.5]	7-7/8" [200]	7-7/8" [200]



PRÉPARATION DES PANNEAUX DÉCORATIFS (SUITE)

DIMENSIONS DES PANNEAUX - MODÈLES KRB36-OV ET KRW24-OV

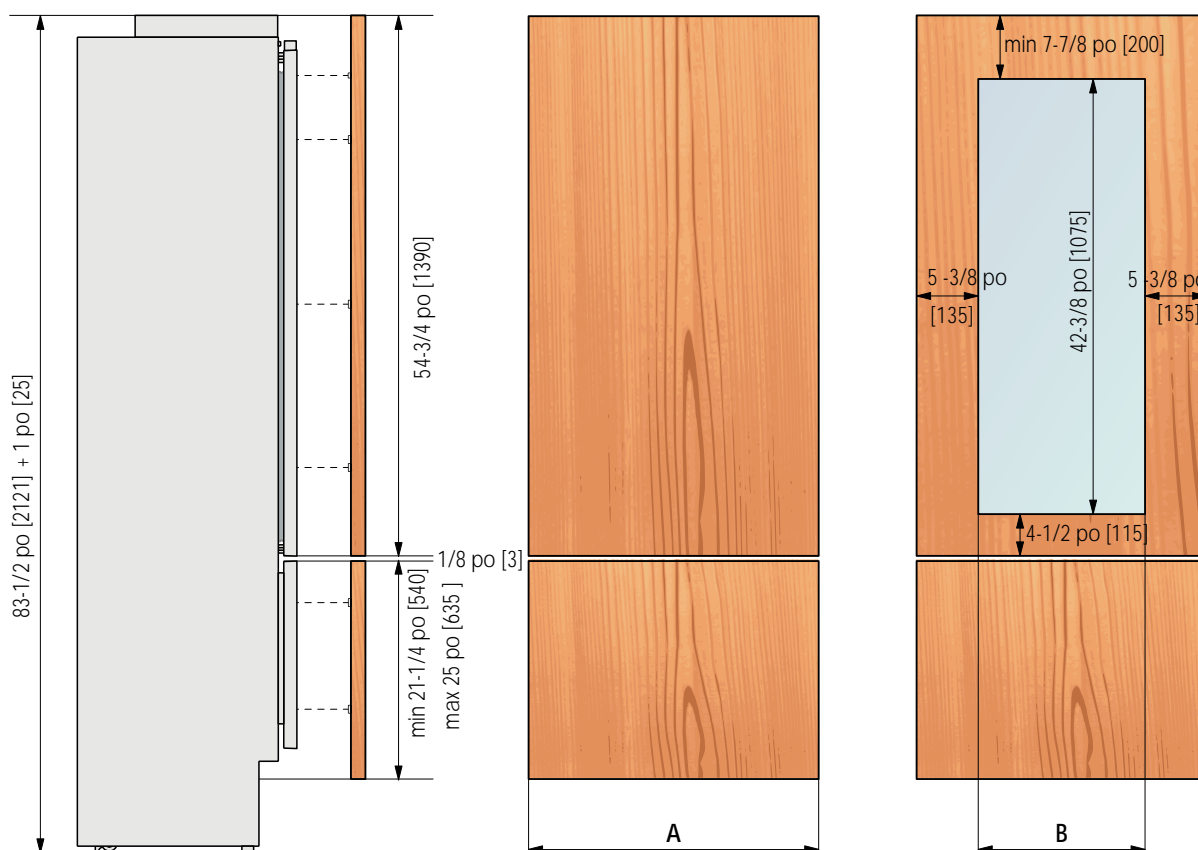
Les panneaux peuvent avoir une épaisseur comprise entre $3/4$ po [18mm] et $1-1/8$ po [28 mm].

Les panneaux de porte peuvent peser au maximum 51 livres [23 kg] et les panneaux de tiroir, au maximum poids de 25 livres [11 kg].

Le dépassement de ces poids pourrait annuler votre garantie pour tout problème de service pouvant être attribué à des panneaux en surpoids.

Le mécanisme de charnière des réfrigérateurs Hestan est considéré comme étant «à jeu zéro». Les largeurs de porte et de tiroir spécifiées ci-dessous supposent que la largeur de niche minimale est utilisée et qu'une ouverture de $1/8$ po [3.5mm] est souhaitée autour des panneaux. Ajustez les dimensions de votre panneau en fonction de vos propres critères de conception en tenant compte de votre largeur de niche et de votre visibilité. Le nombre de révélations / espaces minimaux ne doit pas être inférieur à 1,5 mm

Modèles	Largeur de porte / tiroir A	Largeur de découpe de porte B
KRBR/L36-OV	$35-1/4$ po [897]	N/A
KRWR/L24-OV	$23-1/2$ po [597]	$12-7/8$ po [327]



Exemple:

84 po hauteur de découpe
 36 po largeur de découpe
 4 po hauteur des pieds
 $1/8$ po distance désirée tout autour

Panneau de porte: Largeur: $35-3/4$ po
 Hauteur: $54-3/4$ po

Détermination de la taille du panneau du tiroir:

Largeur: $35-3/4$ po
 Hauteur: 84 po - $1/8$ po - $54-3/4$ po - $1/8$ po - 4 po = 25 po
 Si vous voulez une hauteur de 6 po avec des écarts de $1/8$ po, la hauteur du panneau du tiroir inférieur sera de 23 po.

PRÉPARATION DES PANNEAUX DÉCORATIFS (SUITE)

DIMENSIONS DES PANNEAUX - MODÈLES KFC - OV, KRC - OV, ET KWC - OV

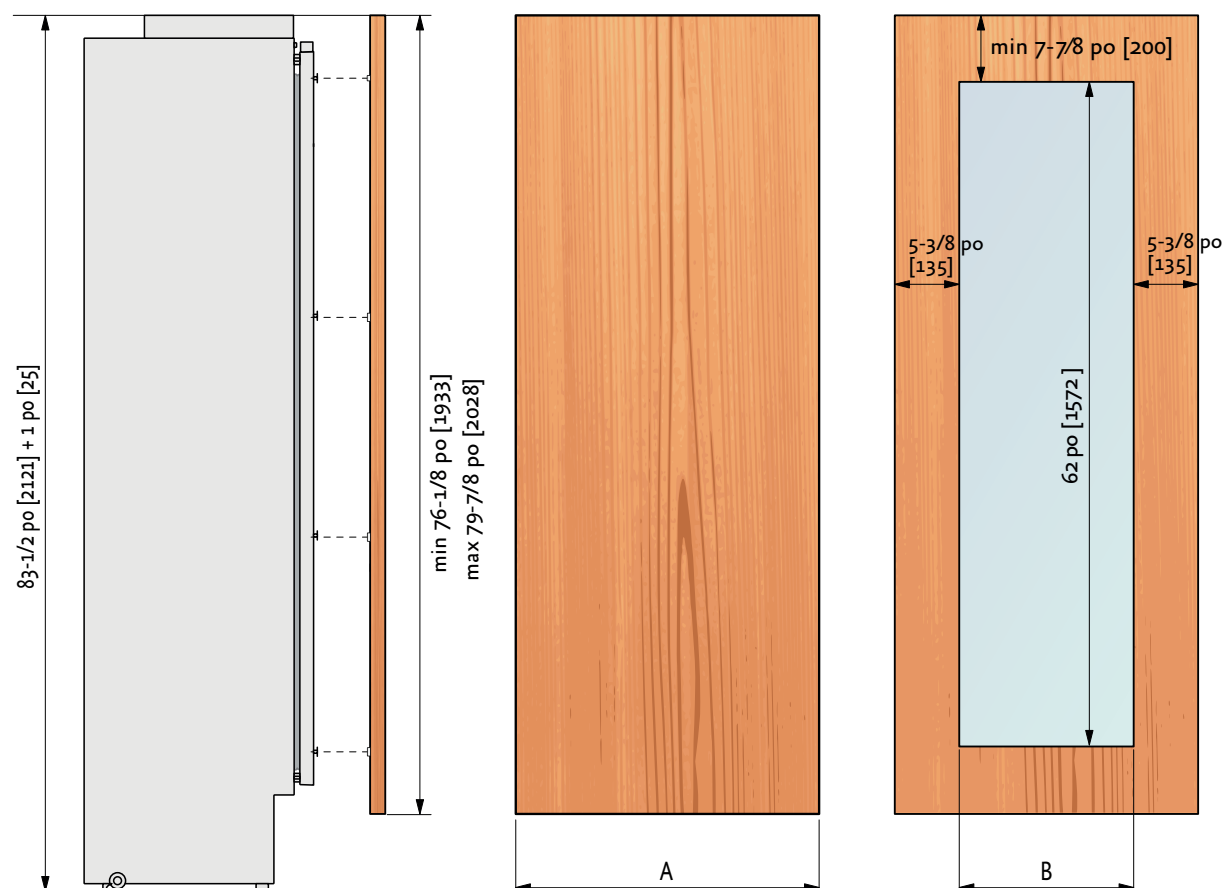
Les panneaux peuvent avoir une épaisseur comprise entre 3/4 po [18mm] et 1-1/8 po [28 mm].

Les panneaux de porte peuvent peser au maximum 51 livres [23 kg] et les panneaux de tiroir, au maximum poids de 25 livres [11 kg].

Le dépassement de ces poids pourrait annuler votre garantie pour tout problème de service pouvant être attribué à des panneaux en surpoids.

Le mécanisme de charnière des réfrigérateurs Hestan est considéré comme étant «à jeu zéro». Les largeurs de porte et de tiroir spécifiées ci-dessous supposent que la largeur de niche minimale est utilisée et qu'une ouverture de 1/8 po [3.5mm] est souhaitée autour des panneaux. Ajustez les dimensions de votre panneau en fonction de vos propres critères de conception en tenant compte de votre largeur de niche et de votre visibilité. Le nombre de révélations / espaces minimaux ne doit pas être inférieur à 1,5 mm

Modèles	Largeur de la porte et de tiroir A	Porte: Largeur de la coupure B
KFC, KRCx30-OV	29-3/8 po [747]	N/A
KFC, KRCx24-OV	23-1/2 po [597]	N/A
KWCx24-OV	23-1/2 po [597]	12-7/8 po [327]
KFC, KWCx18-OV	17-5/8 po [447]	6-7/8 po [177]

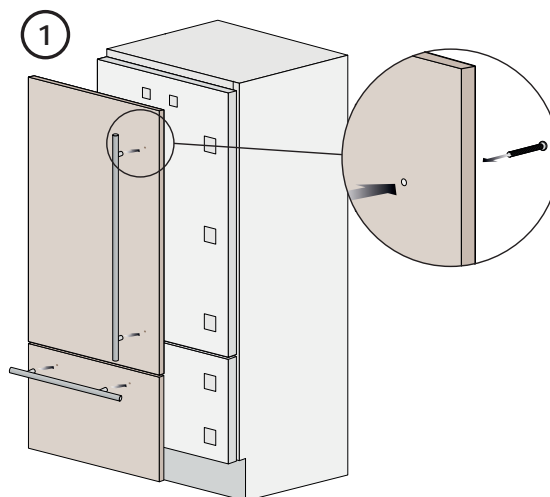


PRÉPARATION DES PANNEAUX DÉCORATIFS (SUITE)

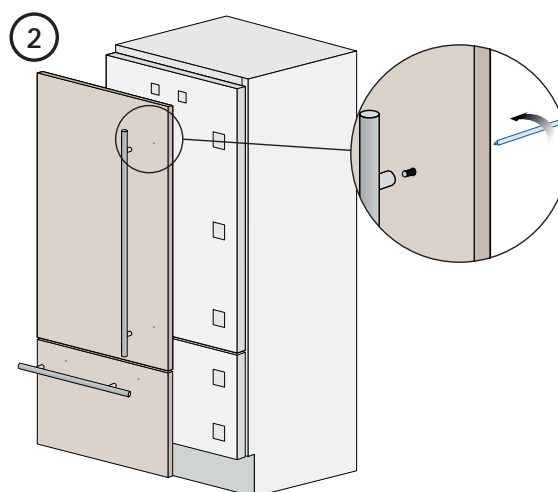
MONTAGE DES POIGNEES SUR DES PANNEAUX DÉCORATIFS

FR

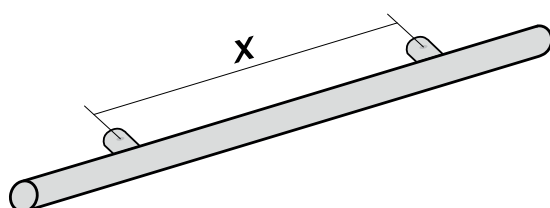
Les poignées doivent être montées sur les panneaux décoratifs avant que les panneaux ne soient fixés au réfrigérateur.



Positionner la poignée au-dessus des trous et et insérez les vis à travers le panneau et dans le support de poignée.



Poignées non fournies avec les modèles de Recouvrement (-OV)
(exemple de poignée montré)



Mesurer avec précision la distance entre les centres des trous pour les dimensions correctes à appliquer avant de percer les trous de fixation dans votre panneau.

PRÉPARATION DES PANNEAUX DÉCORATIFS (SUITE)

FR

PRÉPARATION DE LA PORTE ET DU TIROIR POUR DES PANNEAUX DÉCORATIFS

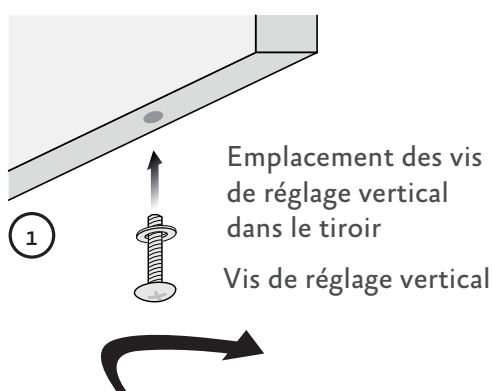
Les vis de réglage et les boulons de suspension doivent être vissés dans la porte (et le tiroir, le cas échéant) avant de poser les panneaux décoratifs.

Installez les vis de réglage vertical au fond du tiroir (le cas échéant) 2-3 tours de profondeur. Les vis de réglage vertical du panneau de porte s'installent après l'application du panneau de porte.

Installez un boulon de suspension dans chaque renforcement - seulement 2-3 tours de profondeur.

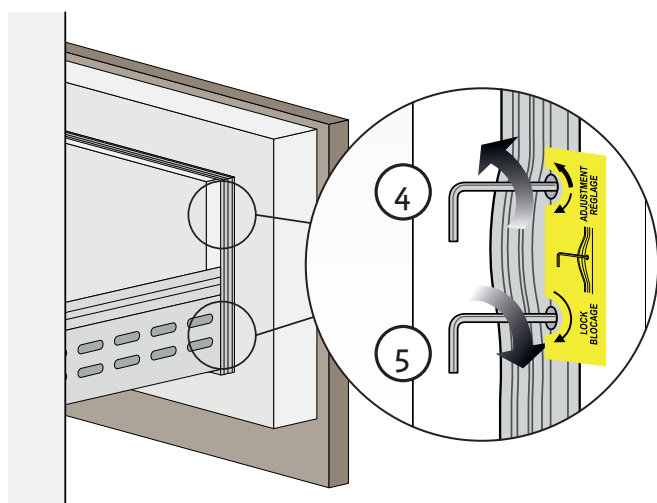
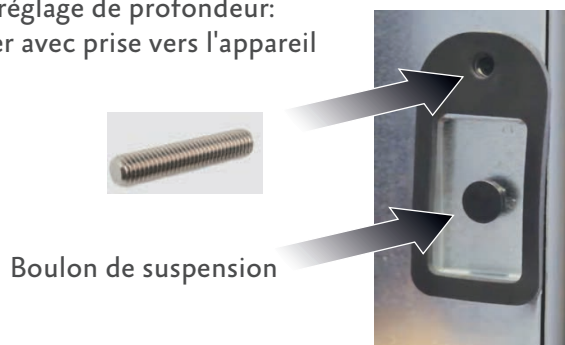
Installez une vis de réglage de la profondeur dans les trous situés au-dessus ou au-dessous de chaque évidement. L'ouverture de la clé passe en premier afin que les réglages puissent être effectués du côté de l'appareil sur la porte. Ceux-ci doivent être vissés presque au ras du joint qui les entoure.

Les vis de réglage de la profondeur peuvent être mises en place et vissées à la main. Si nécessaire, vous pouvez utiliser une clé Allen de 4 mm de l'intérieur de la porte ou du tiroir. Tirez doucement le joint de la porte pour faire apparaître le trou de la vis.



REMARQUE: Les vis de réglage vertical de la porte sont installées après la suspension du panneau sur la porte.

Vis de réglage de profondeur:
Installer avec prise vers l'appareil

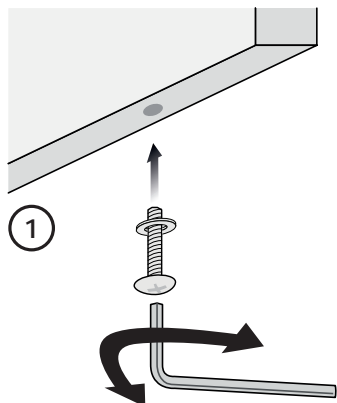


(4) Vis de réglage en profondeur - celles-ci permettent de régler l'espace entre la porte et le panneau

(5) Boulons de suspension - ils fixent le panneau

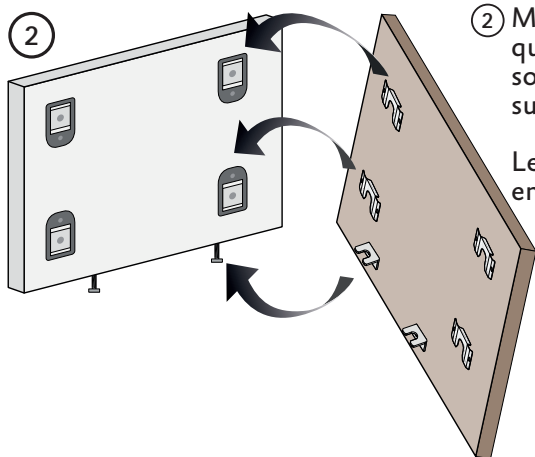
MONTAGE DES PANNEAUX DÉCORATIFS SUR LE TIROIR

FR



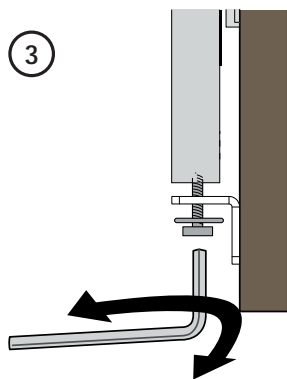
Une fois que tous les supports et petits supports ont été appliqués aux panneaux, vous pouvez commencer à installer le panneau de tiroir inférieur.

- ① Laissez les vis de réglage verticales seulement quelques tours.



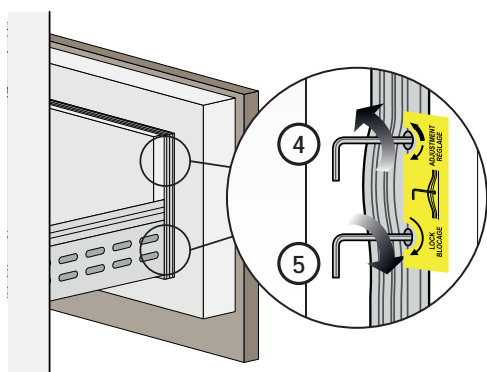
- ② Montez le panneau de tiroir inférieur: Assurez-vous que les têtes de vis de réglage de la hauteur sont sous les supports de réglage. Placez ensuite les supports de fixation sur les boulons de suspension.

Le réglage final doit être effectué une fois l'appareil en place et la garniture latérale montée.



- ③ Utilisez les vis de réglage de la hauteur pour aligner les panneaux sur les armoires adjacentes.

Le panneau a un ajustement latéral lorsque les boulons de suspension sont légèrement desserrés.

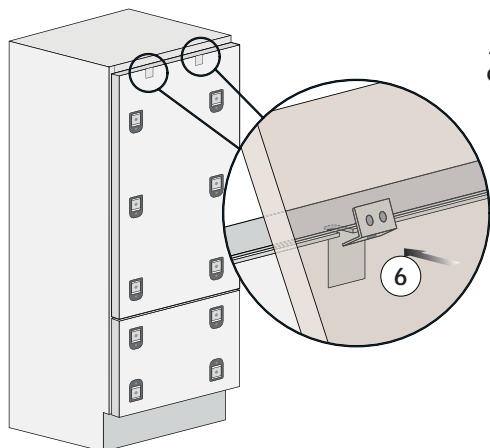


Alignement de la profondeur: en travaillant depuis l'intérieur du tiroir, utilisez les vis de réglage de la profondeur ④ pour éloigner le panneau de la porte si nécessaire, et serrez les boulons de suspension ⑤ pour fixer le panneau en place.

PRÉPARATION DES PANNEAUX DÉCORATIFS (SUITE)

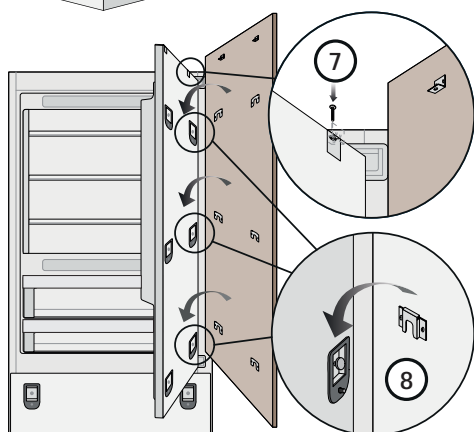
MONTAGE DES PANNEAUX DÉCORATIF SUR LA PORTE

FR

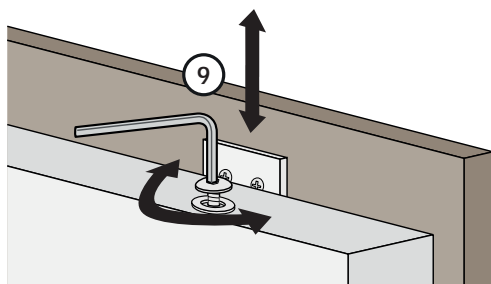


Accrocher le panneau aux dispositifs de fixation en insérant dans les crans d'alignement supérieurs. (6)

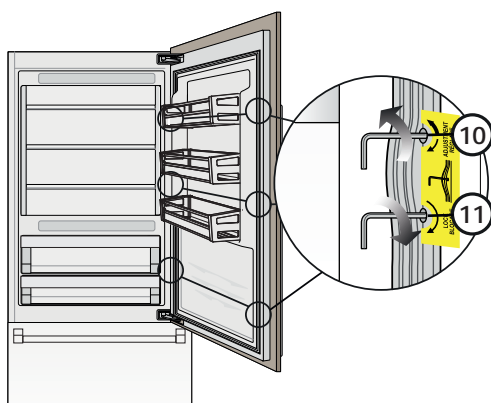
Une fois le panneau accroché à tous les boulons de suspension, installez les deux vis de réglage vertical. Voir (9) ci-dessous.



À ce stade, l'alignement entre le panneau et les armoires adjacentes peut être ajusté à l'aide des supports d'alignement et des supports (7) et (8).



Alignement vertical: soulever ou abaisser le panneau (9) en vissant ou en dévissant la vis à l'équerre.



Alignement en profondeur en travaillant de l'intérieur de la porte à après avoir soulevé le joint magnétique, rapprocher ou éloigner le panneau à sa place toujours à travers les trous (10) puis fixer le panneau à sa place toujours à travers les trous. (11)

INSTALLATION FINALE

INSTALLATION DE DEUX OU PLUS D'UNITÉS ENSEMBLE - LARGEUR D'OUVERTURE TOTALE

La meilleure pratique pour planifier et installer les unités intégrées ensemble consiste à combiner les largeurs réelles de chaque unité et à ajouter un autre 1/8" [3 mm] pour obtenir la largeur totale de l'ouverture. Lorsqu'il est placé l'un à côté de l'autre, le profil latéral les garnitures sont utilisées pour maintenir les unités ensemble (voir la page suivante).

MODÈLE TAILLE	LARGEUR RÉELLE
36 po	35-3/8 po [899 mm]
30 po	29-1/2 po [749 mm]
24 po	23-5/8 po [599 mm]
18 po	17-11/16 po [449 mm]

EXEMPLE (unités 30 po + 24 po) - Le modèle 30 a une largeur réelle de 29-1/2 po [749 mm] et un modèle de 24 a une largeur réelle de 23-5/8 po [599 mm]. Ajouté ensemble:

$$29\text{-}1/2\text{ po} + 23\text{-}5/8\text{ po} + 1/8\text{ po} = 53\text{-}1/4\text{ po [1351 mm]}$$

EXEMPLE (unités 30 po + 24 po + 36 po) - Le modèle 30 a une largeur réelle de 29-1/2 po [749 mm], un modèle de 24 a une largeur réelle de 23-5/8 po [599 mm] et un modèle de 36 a une largeur réelle de 35-3/8 po [899 mm]. Ajouté ensemble:

$$29\text{-}1/2\text{ po} + 23\text{-}5/8\text{ po} + 35\text{-}3/8\text{ po} + 1/8\text{ po} = 88\text{-}5/8\text{ po [2250 mm]}$$

INSTALLATION FINALE (SUITE)

INSTALLATION DE DEUX OU PLUS D'UNITÉS ENSEMBLE - CONNEXIONS

L'installation de deux unités ou plus en tant que composants intégrés côte à côte nécessite un kit de connexion centralisée.

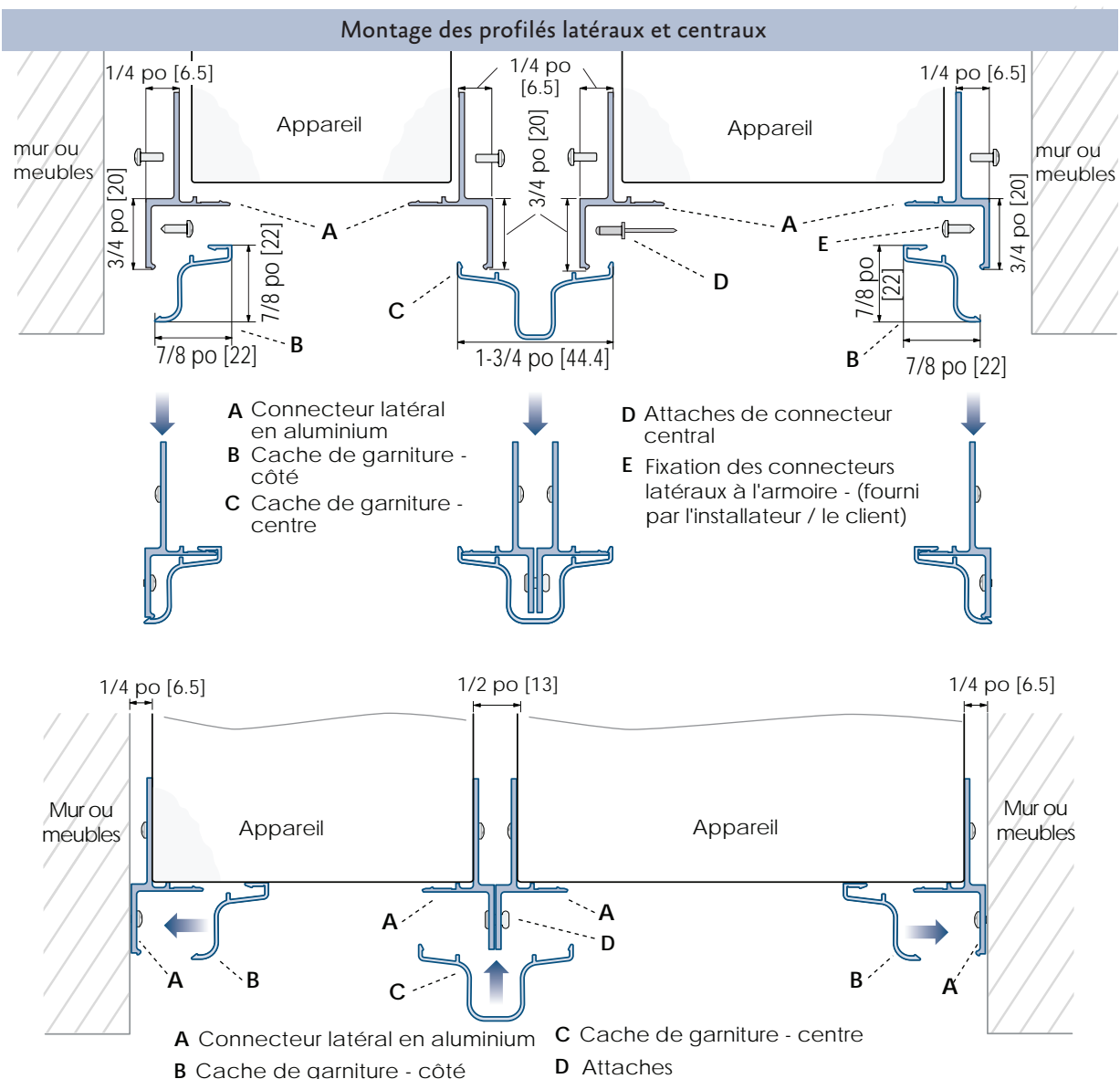
(Non inclus - doit être commandé en tant qu'accessoire séparé)

AKRCJK (pour les modèles KRB, KRC, KFC, KWC et KRW)

AKRCJK-OV (pour les modèles KRB, KRC, KFC, KWC and KRW avec panneaux superposés)

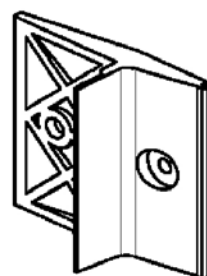
AKRCJKP (pour les modèles KRP)

L'appareil est livré avec des connecteurs latéraux de chaque côté. Le kit de connecteurs comprend des connecteurs pour l'arrière des unités, des attaches et un cache pour la jonction centrale.



NOTE: Le connecteur latéral en aluminium (élément A ci-dessus) est généralement préinstallé sur toutes les unités de réfrigération en usine. À la mi-2019, une modification de conception a été apportée et les pièces en aluminium ont été remplacées par un kit inclus avec l'unité. Le kit contient 10 connecteurs latéraux en plastique qui ressemblent à ceci.

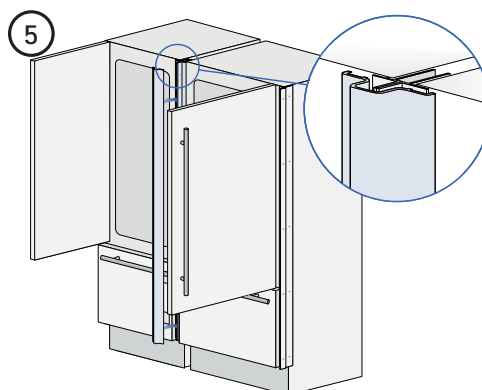
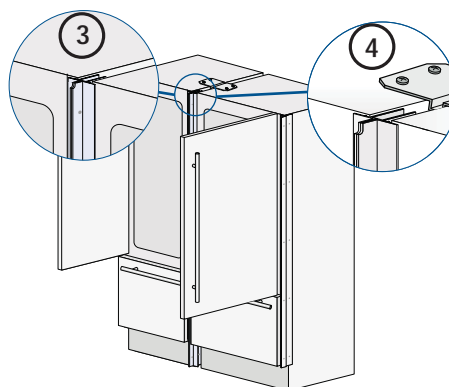
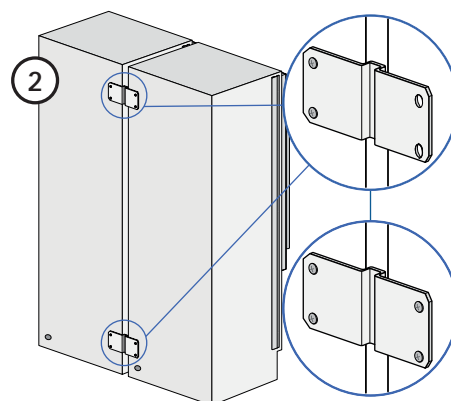
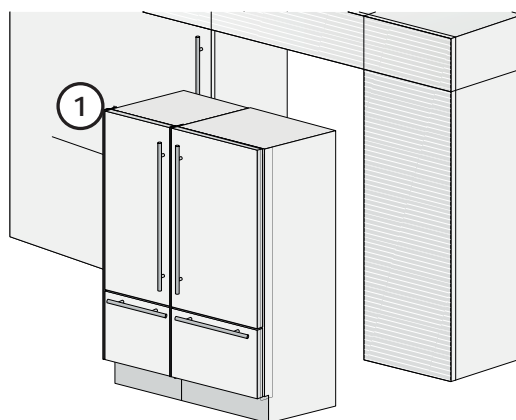
Suivez les instructions fournies avec le kit pour fixer ces nouveaux connecteurs latéraux.



INSTALLATION DE DEUX OU PLUS D'UNITÉS ENSEMBLE (SUITE)

Positionnez les deux unités de manière à ce qu'elles puissent, une fois réunies, être repliées dans leur position finale.

- 1) Pour les unités KRP, placez l'isolant anti-condensation selon ses instructions.
- 2) Placez les unités côte à côte et vérifiez le nivellement. Les deux unités doivent être à la même hauteur avant de se connecter. (Article 3, cette page)
Les connecteurs latéraux doivent juste toucher le long de leur longueur.
- 3) À l'arrière, montez les supports de jonction sur une unité, puis sur l'autre. (Article 2, cette page)
- 4) La partie supérieure peut également nécessiter un connecteur. Installez si nécessaire / fourni. (Article 4, cette page)
- 5) À l'avant, attachez les connecteurs centraux en aluminium à l'aide des attaches fournies. (Article D, page précédente)
- 6) Enclenchez le capot de garniture central. (Article 5, cette page):



DÉPLACER DEUX UNITÉS EN POSITION FINALE

Assurez-vous que les connecteurs latéraux correspondent à la largeur de la découpe. Voir "VÉRIFIER / AJUSTER LA GARNITURE LATÉRALE" à la page 31.

La procédure est la même que pour une seule unité. Voir page suivante.

DÉPLACER L'UNITÉ EN PLACE

Des connecteurs latéraux avec des garnitures décoratives sont fournis pour fixer l'appareil aux armoires adjacentes.

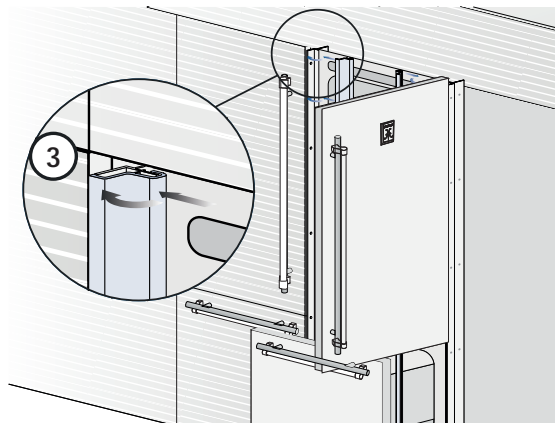
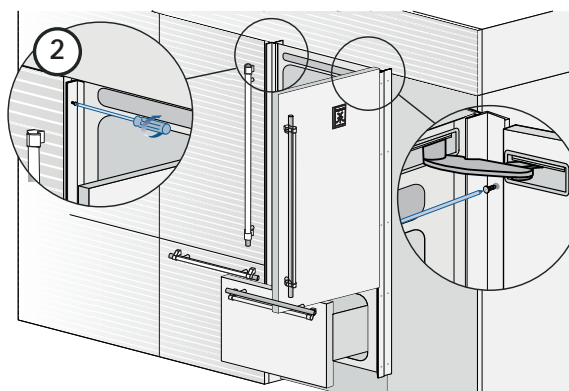
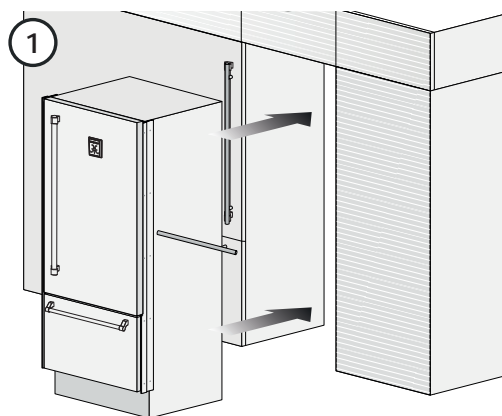
Assurez-vous que les connecteurs latéraux correspondent à la largeur de la découpe. Voir "VÉRIFIER / AJUSTER LA GARNITURE LATÉRALE" à la page 31.

Tous les modèles sauf KRP: L'appareil n'a pas besoin de conduit de ventilation dans le boîtier pour le refroidissement.

KRP: Voir "DÉCOUPE D'INSTALLATION - MODÈLES KRP" on page 5 pour les exigences de ventilation.

Installez toujours les panneaux avant sur la porte et le tiroir avant de placer l'unité dans sa position finale à l'intérieur du boîtier.

- 1) Déplacez l'unité dans sa position finale
- 2) Vérifiez la mise à niveau de l'appareil, en ajustant les pieds et les roues pour le corriger si nécessaire.
- 3) Fixez l'appareil aux armoires adjacentes à l'aide des profilés latéraux. (2)
Pour faciliter cette opération, maintenez la porte et le tiroir ouverts.
- 4) Montez les capots de garniture en les insérant d'abord latéralement (3), puis en appuyant fermement jusqu'à ce que vous entendiez un «clic».



INSTALLATION FINALE (SUITE)

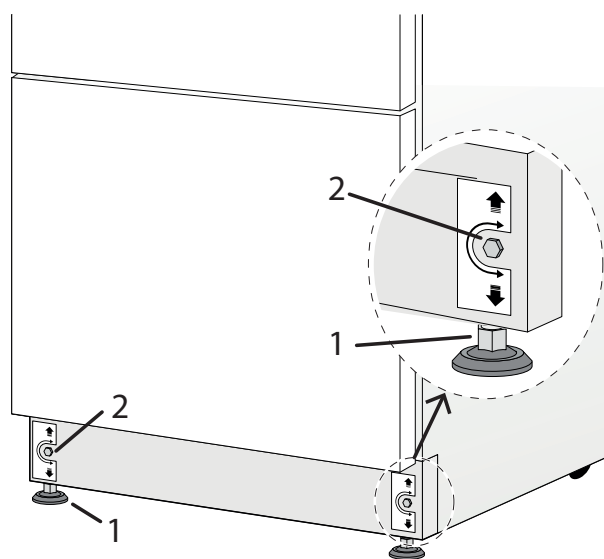
NIVELLEMENT DE L'APPAREIL

Réglez le niveau de l'appareil à l'aide des pieds de mise à niveau avant et des roues arrière réglables.

La nivellement doit être effectuée après la mise en place de l'appareil.

Niveau comme suit:

- 1) Retirez la grille inférieure si nécessaire (elle est maintenue en position par des aimants).
- 2) Réglez l'avant à l'aide des pieds de mise à niveau (1) au moyen d'une clé plate ou réglable de 17 mm (ou 11/16 po)
- 3) Ajustez la hauteur de l'arrière en tournant les boulons de réglage avant (2) dans le sens horaire ou antihoraire selon les besoins.
- 4) Réinstallez le grille.



VÉRIFIER / AJUSTER LA GARNITURE LATÉRALE

La garniture latérale standard convient à une ouverture aux dimensions spécifiées, comme indiqué à la page 5 et aux pages suivantes.

Si la découpe est un peu plus large ou pas parfaitement carrée, la garniture peut être ajustée pour s'adapter.

La méthode suggérée consiste à utiliser des entretoises entre l'appareil et la bande de garniture sous chacune des cinq vis fixant chaque bande de garniture. Des rondelles plates peuvent être utilisées comme entretoises, choisissez les épaisseurs appropriées.

Ce réglage doit être effectué avant que des panneaux décoratifs ne soient montés sur les portes.

GARNITURE POUR INSTALLER DEUX OU PLUSIEURS UNITÉS ENSEMBLE

Lors de l'installation d'unités côte à côte, un kit de finition spécial doit être utilisé sur les côtés opposés. Voir "INSTALLATION DE DEUX OU PLUSIEURS UNITÉS ENSEMBLE" à la page 28.

MATÉRIEL ANTI-RENVERSEMENT

L'installation du matériel anti-renversement est détaillée à la page 31 et doit être terminée une fois l'appareil en place et nivelé.

Cependant, vous voudrez peut-être faire les préparatifs avant de monter des panneaux décoratifs.

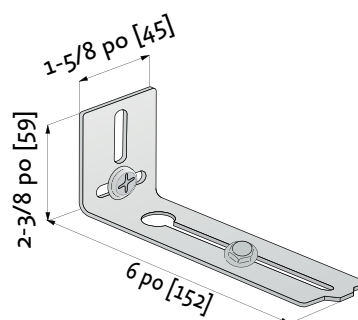
SUPPORTS DE SÉCURITÉ ANTI-REVERSEMENT



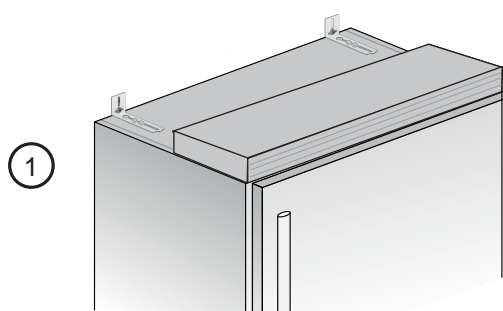
Pour éviter tout risque de renversement de l'appareil, il est impératif de fixer l'appareil au mur à l'aide des deux supports fournis.

MONTAGE DES SUPPORTS ANTI-REVERSEMENT - Tous sauf la série KRP

Lors de l'utilisation des supports anti-renversement, ils doivent être appliqués comme indiqué à l'aide des vis et des ancrages muraux fournis.

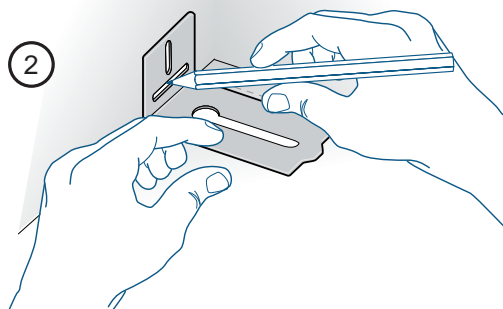


- 1) Trouvez les trous de montage sur le dessus de l'appareil et déterminez comment le support doit s'aligner sur le mur.
- 2) Marquez le mur où les trous sont nécessaires.
- 3) Percez le mur avec un foret de 5/16 po [8 mm] et insérez l'ancrage mural.
- 4) Positionnez le support et fixez-le d'abord à l'appareil, puis au mur.



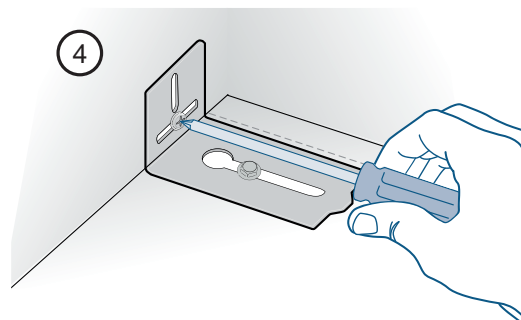
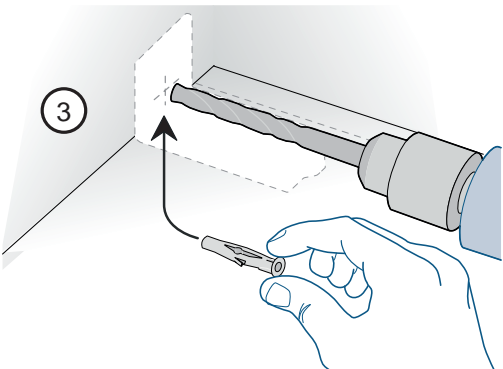
De plus, il est suggéré:

- Les garnitures latérales des deux côtés doivent être fixées à l'unité à l'aide des vis fournies.
- Les garnitures latérales doivent être vissées aux armoires à tous les points de fixation fournis.
- L'armoire doit être solidement fixée au mur pour assurer la stabilité de l'appareil.



Lorsque deux unités sont installées ensemble, les supports anti-renversement sont nécessaires pour chacune d'elles.

De plus, le kit de raccordement approprié doit être installé et les unités doivent être fixées aux armoires adjacentes au moyen des garnitures latérales, comme ci-dessus.



MONTAGE DES SUPPORTS ANTI-RENVERSEMENT - Série KRP

Pour éviter tout risque de renversement de l'appareil, il est impératif de fixer l'appareil au mur à l'aide des deux supports fournis.

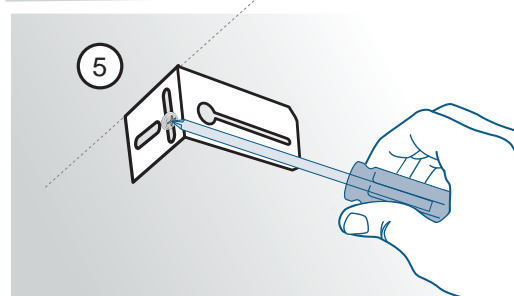
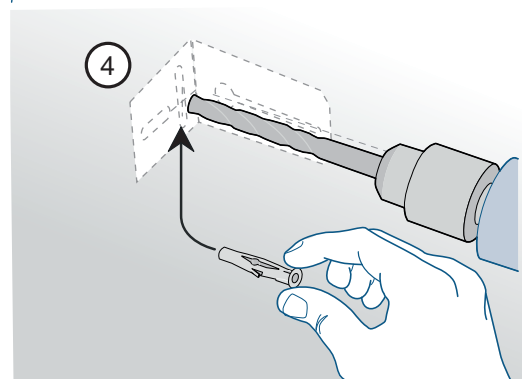
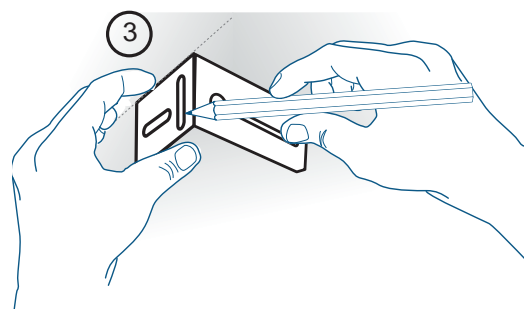
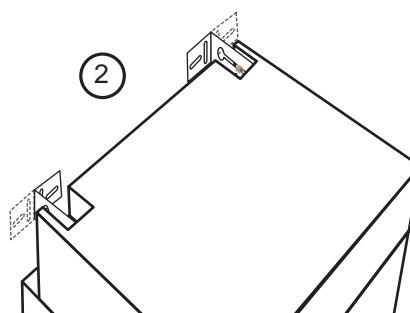
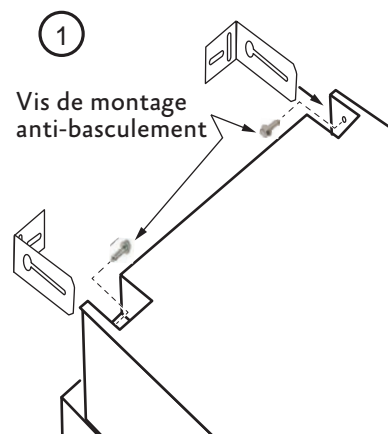
- 1) L'appareil a une vis en place où chaque support va se fixer. (Voir la figure à droite.) Retirez les vis et mettez-les de côté.
- 2) Déterminez l'emplacement des supports et marquez le mur en conséquence. Notez que les supports peuvent être installés face ou vers l'intérieur, selon vos préférences.
- 3) Éloignez l'appareil du mur et marquez l'emplacement des trous.
- 4) Percez le mur avec un foret de 5/16 po [8 mm] et insérez l'ancrage mural.
- 5) Montez le support sur le mur, puis mettez l'appareil en position et fixez-le à l'aide des vis retenues de (1) ci-dessus.

De plus, il est suggéré:

- Les garnitures latérales des deux côtés doivent être fixées à l'unité à l'aide des vis fournies.
- Les garnitures latérales doivent être vissées aux armoires à tous les points de fixation fournis.
- L'armoire doit être solidement fixée au mur pour assurer la stabilité de l'appareil.

Lorsque deux unités sont installées ensemble, les supports anti-renversement sont nécessaires pour chacune d'elles.

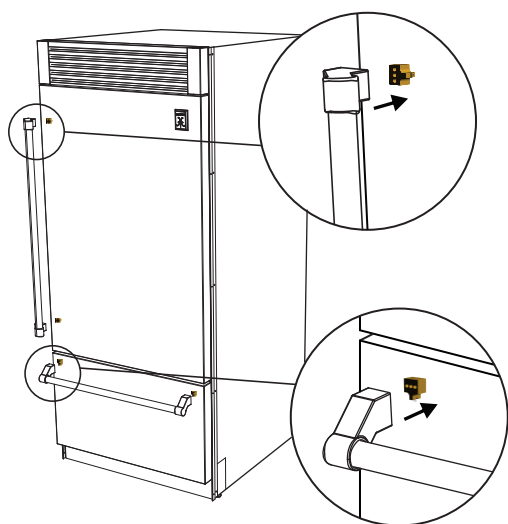
De plus, le kit de raccordement approprié doit être installé et les unités doivent être fixées aux armoires adjacentes au moyen des garnitures latérales, comme ci-dessus.



MONTAGE DES POIGNÉES ET EMBOUTS

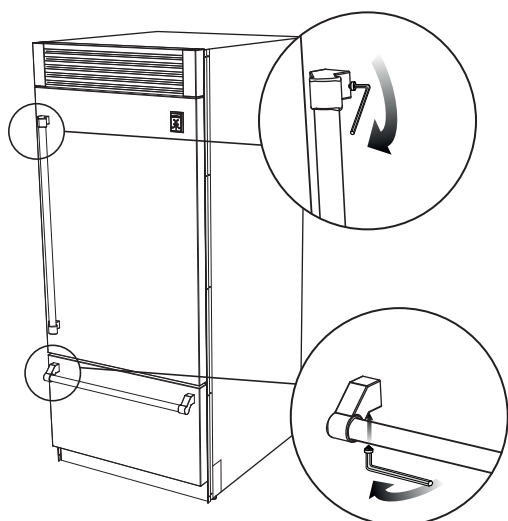
Les poignées et les embouts sont fournis avec tous les modèles en acier inoxydable et en couleur. Les poignées sont situées dans un emballage protecteur, scotché à l'arrière du réfrigérateur. Retirez les poignées avant de déplacer le réfrigérateur dans sa découpe ou son ouverture. Les embouts sont situés dans une boîte en carton à l'intérieur du réfrigérateur.

Il est recommandé que deux personnes travaillent ensemble pour assembler et appliquer les poignées et embouts. Suivez les étapes ci-dessous pour terminer le processus de montage.



Insérez la poignée dans les embouts et faites-la pivoter au besoin pour aligner l'encoche dans le tube, avec la languette à l'intérieur de l'embout. Un coup léger avec un marteau en bois ou en plastique aidera à insérer complètement le tube. Positionnez les embouts sur les supports pré-montés sur la porte et la face du tiroir.

- Faites attention de ne pas rayer la surface de la porte.
- Il est recommandé qu'une personne détienne la poignée et les embouts en position tandis que la deuxième personne insère les vis de réglage fournies pour fixer la poignée.



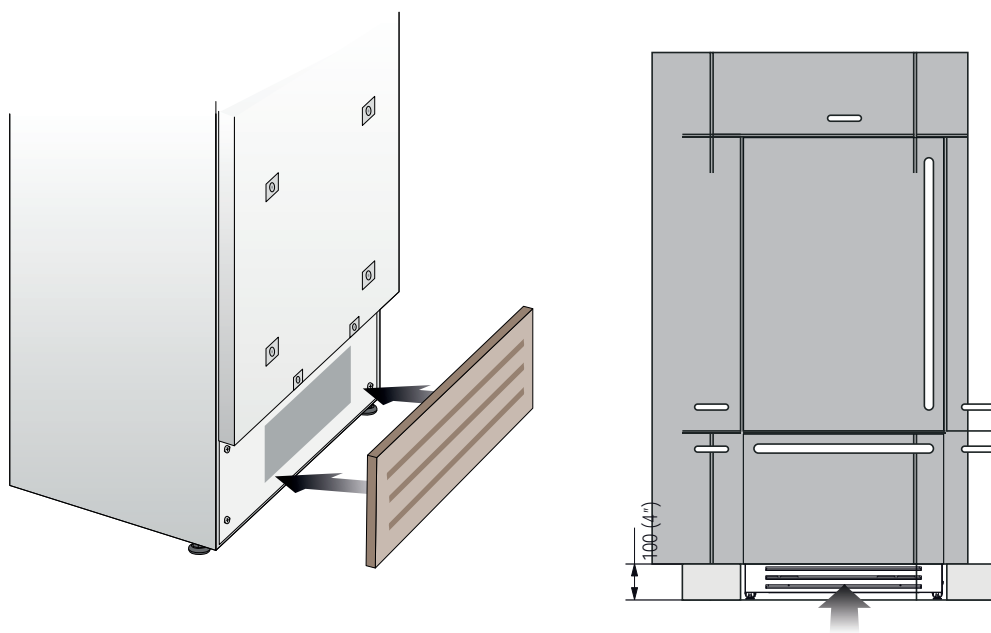
Les vis de réglage fournies se trouvent dans la boîte avec les embouts. À l'aide d'une clé Allen de 2,5 mm, insérez la vis de réglage dans le trou dans l'embout et resserrer soigneusement. L'embout est alors correctement fixé à la porte / tiroir. Répétez cette étape pour l'autre embout.

INSTALLATION FINALE (SUITE)

CIRCULATION DE L'AIR APPROPRIÉE (SAUF LE KRP)

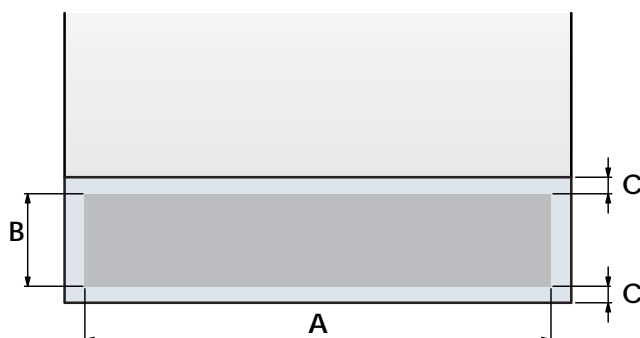
Un système à air forcé assure la ventilation à travers une grille située dans la partie inférieure avant de l'appareil. Si la conception de la cuisine comprend une plinthe appliquée, celle-ci doit comporter de nombreuses ouvertures / fentes pour maintenir un flux d'air adéquat, comme illustré ci-dessous. Les ouvertures / fentes peuvent être de n'importe quelle taille et forme, à condition que la surface totale dégagée représente 50% de la taille totale de la couverture décorative.

Dans ce cas, pour garantir un flux d'air correct, il est recommandé de retirer la grille frontale fournie avec l'appareil. La grille fournie est fixée à l'unité avec des plaques magnétiques et peut être facilement retirée. Le couvercle doit être retiré pour un nettoyage et une élimination réguliers de la poussière. Si un gril décoratif est utilisé, retirez le gril fourni pour permettre à l'air de circuler correctement.



Le graphique et l'illustration ci-dessous fournissent la quantité appropriée de débit d'air nécessaire à la maintenance (Tous les modèles sauf KRP).

	Modèles de 36 po	Modèles de 30 po	Modèles de 24 po	Modèles de 18 po
A	860 mm [33-7/8 po]	740 mm [29-1/8 po]	560 mm [22 po]	410 mm [16-1/8 po]
B	>100 mm [4 po]			
C	10 mm [3/8 po]			

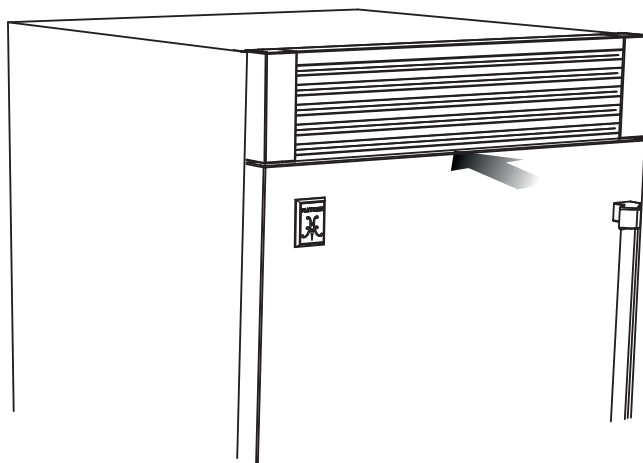


INSTALLATION FINALE (SUITE)

FR

CIRCULATION DE L'AIR APPROPRIÉE (KRP)

Pour les modèles KRP, la ventilation est assurée par un système à air forcé à travers une grille située dans la partie supérieure du réfrigérateur. Cet espace ouvert dans le gril ne doit pas être limité par un couvercle ou un dispositif susceptible de réduire le flux d'air, car cela réduirait l'efficacité du produit et augmenterait la consommation d'énergie. Un évent doit être prévu à l'arrière pour permettre à l'air de sortir. Voir page 5 pour l'emplacement et les dimensions.



ESSAIS ET DÉMARRAGE INITIAL



LISTE DE CONTROLE PRETEST

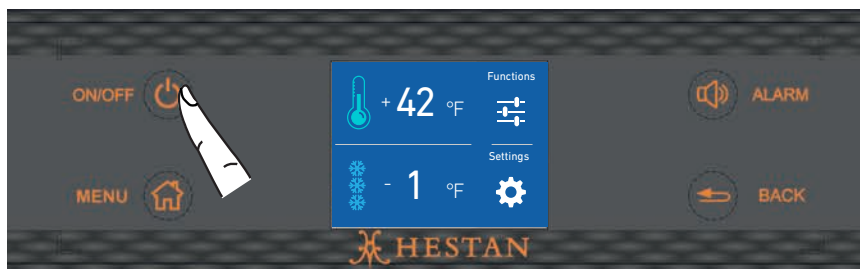
- ☑ Vérifiez que le raccordement au système d'eau ne présente pas de fuite et que la vanne est facilement accessible.
- ☑ Vérifiez que le raccordement électrique est correctement installé et que le disjoncteur est identifié / marqué pour une utilisation ultérieure.
- ☑ Vérifiez que l'unité est à niveau et alignée avec les armoires adjacentes.
- ☑ Vérifiez que les supports anti-basculement sont sécurisés et que les connecteurs latéraux sont sécurisés avec la garniture en place.
- ☑ Vérifiez que tous les rubans adhésifs et les emballages protecteurs temporaires internes ou externes ont été retirés.
- ☑ Vérifiez la fermeture parfaite des portes et le coulissement en douceur des tiroirs et des étagères.
- ☑ Si l'appareil est équipé d'une machine à glaçons, assurez-vous que la cartouche de filtre à eau est installée. (Sauf si de l'eau filtrée est fournie à l'unité.)

ESSAIS ET DÉMARRAGE INITIAL (SUITE)

DÉMARRAGE INITIAL

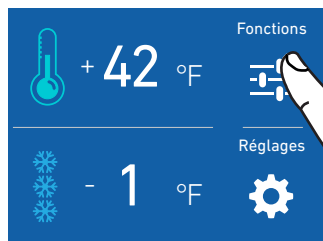
Une fois l'appareil branché, l'écran affiche le logo Hestan, un bref écran d'informations, puis s'éteint.

Allumez l'appareil en appuyant sur le bouton ON/OFF  pendant trois secondes. L'écran affichera un logo Hestan, puis le message "Essai initial... s'il vous plaît attendez" pendant 2-3 minutes. Après cette phase, les compresseurs démarrent et restent allumés jusqu'à ce que la température préréglée en usine soit atteinte. Laissez suffisamment de temps au réfrigérateur pour atteindre cette température avant de charger des articles (6-12 heures). Pendant ce temps, désactivez tous les messages d'erreur en appuyant sur le bouton d'Alarme .

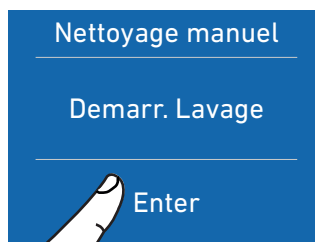


Machine à glaçons

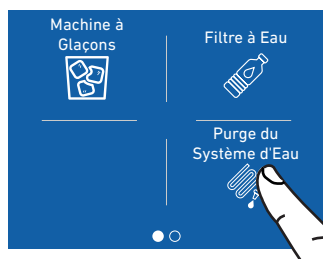
Si l'appareil est équipé d'une machine à glaçons, assurez-vous que la cartouche du filtre à eau est correctement installée, et que l'appareil est connecté à la source d'eau. Suivez ces instructions pour nettoyer / purger le système d'eau pour la première fois. Placez un petit plateau ou un bol à l'intérieur du bac à glaçons, sous le plateau de la machine à glaçons pour récupérer l'eau pendant le cycle de purge.



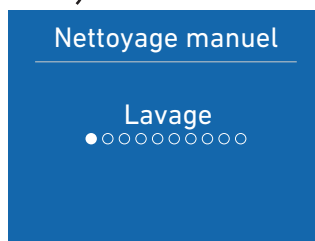
Sur l'écran d'accueil, touchez l'icône Fonctions.



Touchez l'icône Enter pour lancer le nettoyage.



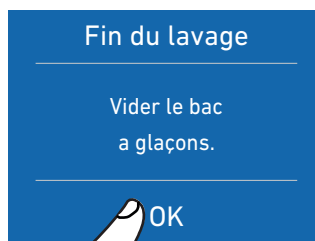
Faites défiler vers la gauche, puis appuyez sur l'icône Nettoyage du Circuit d'Eau.



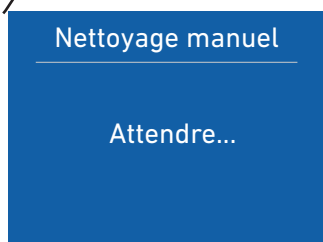
Nettoyage en cours....



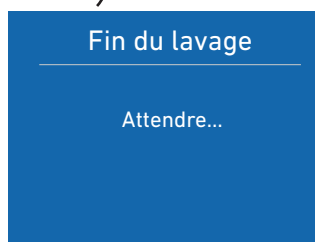
Touchez l'icône Oui pour activer le Nettoyage Manuel.



Une fois le nettoyage terminé, videz l'eau du bac à glaçons, puis appuyez sur OK.



Attendre...



Attendez quelques secondes, l'écran du menu principal apparaît. Retirez le plateau ou le bol.

ESSAIS ET DÉMARRAGE INITIAL (SUITE)

Tiroir du bas

Les modèles KRP, KRB et KRW ont un tiroir inférieur qui opère par défaut en mode congélateur. Le tiroir peut également être réglé sur d'autres modes de fonctionnement. Consultez le manuel d'utilisation et d'entretien pour plus d'informations.

FR

Préparation

Si, au début, le message de démarrage n'apparaît pas mais que d'autres informations apparaissent à l'écran (telles que Réfrigérateur trop chaud, Congélateur trop chaud ou signaux sonores audibles), le processus de refroidissement normal du réfrigérateur a commencé.

Si tel est le cas, désactivez tout signal sonore en appuyant sur le bouton Alarme, fermez la porte et attendez que la température définie soit atteinte.

Il est nécessaire de laisser l'appareil atteindre la bonne température avant d'y placer des aliments ou des boissons. (Prévoyez 6 à 12 heures.)

Pour plus d'informations sur le fonctionnement de l'appareil, reportez-vous au Manuel d'utilisation et d'entretien.

LISTE DES PIÈCES

Visiter le site Web Hestan pour consulter la liste des pièces de ce produit:
www.hestanhome.com.

SERVICE

Toutes les réparations dans le cadre ou en dehors de la garantie doivent être effectuées par du personnel d'entretien qualifié. Pour localiser un réparateur agréé dans la région, s'adresser au concessionnaire Hestan, au représentant local ou à l'usine. Avant d'appeler, veiller à avoir les numéros de modèle et de série à portée de la main.

Hestan Commercial Corporation
3375 E. La Palma Avenue
Anaheim, CA 92806
(888) 905-7463

**RETAIN THIS MANUAL FOR FUTURE REFERENCE
CONSERVEZ CE MANUEL POUR UNE RÉFÉRENCE FUTURE**



Hestan Commercial Corporation

3375 E. La Palma Ave.
Anaheim, CA 92806
(888) 905-7463