



## REFRIGERATION PRODUCTS

15" Ice Machine

24" Beer Dispenser

24" Dual Zone Refrigerator with Wine

24" Refrigerator

24" Refrigerated Drawers / 24" Refrigerated Drawer and Freezer Drawer

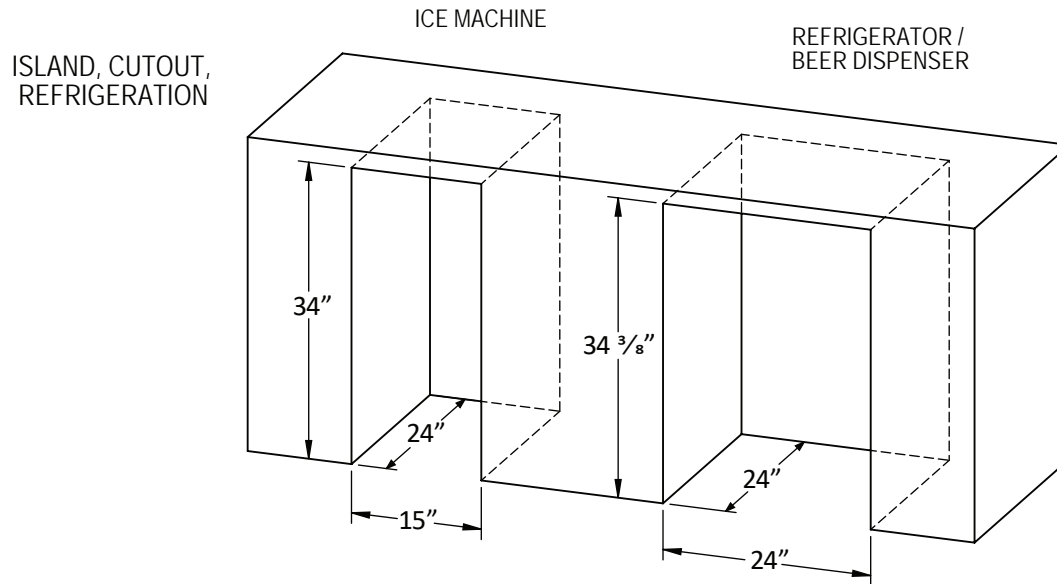
- Stainless steel front and sides
- Up to 22 lbs of total ice storage capacity
- Up to 55 lbs of ice produced per 24 hours
- Air-cooled, self contained, built-in storage bin
- Produces top hat ice cubes
- Front in, front out airflow
- Heavy duty insulation
- Adjustable leveling legs
- Left or right hinged models
- NEMA 5-15 plug
- Easily disassembled water circuit for easy cleaning
- R-134a refrigerant
- UL and NSF certified for outdoor and indoor use
- Optional drain pump

- Stainless steel front, sides, and interior
- 5.2 cubic ft of total storage capacity
- Fits one 1/4 barrel, one slim 1/4 slim barrel, or two 1/6 barrels (pony kegs or 5 gal.)
- Single or double faucet
- CO2 tank, hoses, and fittings
- Door lock
- LED white or blue interior lighting
- Heavy duty insulation
- Temperature control from 33F to 42F
- Digital temperature display
- Variable speed compressor
- Front-vented, forced-air refrigeration system
- Convertible door design allows all doors the ability to be converted to wood overlay from stainless steel
- Zero-clearance hinging
- Adjustable leveling legs
- Left or right hinged models
- UL certified for outdoor and indoor use
- Optional Caster Kit
- Optional Cleaning Kit
- Twelve (12) Hestan signature color finishes

- Stainless steel front, sides, & interior
- Solid stainless steel or glass front door (Low E, UV-coated glass provides industry leading insulation & protection)
- 5.0 cubic ft of total storage capacity
- Two (2) full-extension pull-out wine storage shelves in upper zone, one (1) full extension pull-out shelf in lower zone
- Door lock
- LED white or blue interior lighting
- Heavy duty insulation
- Temperature control from 33°F – 42°F (Lower Refrigerator Zone), 45°F – 65°F (Upper Wine Zone)
- Digital temperature display
- Variable speed compressor
- Front-vented, forced-air refrigeration system
- Convertible door design allows all doors the ability to be converted to wood overlay from stainless steel
- Zero-clearance hinging
- Adjustable leveling legs
- Left or right hinged models
- UL certified for outdoor and indoor use
- Optional Caster Kit
- Twelve (12) Hestan signature color finishes

- Stainless steel front, sides, & interior
- Solid stainless steel or glass front door (Low E, UV-coated glass provides industry leading insulation & protection)
- 5.2 cubic ft of total storage capacity
- Door lock
- LED white or blue interior lighting
- Adjustable, full-extension pull-out shelves
- Heavy duty insulation
- Temperature control from 33F to 42F
- Digital temperature display
- Variable speed compressor
- Front-vented, forced-air refrigeration system
- Convertible door design allows all doors the ability to be converted to wood overlay from stainless steel
- Zero-clearance hinging
- Adjustable leveling legs
- Left or right hinged models
- UL certified for outdoor and indoor use
- Optional Caster Kit
- Twelve (12) Hestan signature color finishes

- Stainless steel front, sides, & interior
- 5.2 cubic ft of total storage capacity
- Drawers with lock
- LED white or blue interior lighting
- Heavy duty full extension drawer slides
- Heavy duty insulation
- Temperature control from: 33F to 42F (refrigerated drawer GRR) 33F to 42F (refrigerated drawer and -10F to 10F freezer drawer GRFR)
- Digital temperature display
- Variable speed compressor
- Front-vented, forced-air refrigeration system
- Convertible door design allows all doors the ability to be converted to wood overlay from stainless steel
- Adjustable leveling legs
- UL certified for outdoor and indoor use
- Optional Caster Kit
- Twelve (12) Hestan signature color finishes



NOTE: See beer dispenser manual for detailed installation information and faucet tower cutout dimensions.

Models	Description	Electrical Requirements
GRS_24	24" Refrigerator, Solid Door with Lock	115V, 60Hz., 1 Phase, 2.3 amps
GRG_24	24" Refrigerator, Glass Door with Lock	115V, 60Hz., 1 Phase, 2.3 amps
GRR24	24" Refrigerator Drawers with Lock	115V, 60Hz., 1 Phase, 2.3 amps
GRFR24	24" Refrigerator Drawer and Freezer Drawer with Lock	115V, 60Hz., 1 Phase, 2.3 amps
GRWS_24	24" Dual Zone Refrigerator w Wine, Solid Door with Lock	115V, 60Hz., 1 Phase, 2.3 amps
GRWG_24	24" Dual Zone Refrigerator w Wine, Glass Door with Lock	115V, 60Hz., 1 Phase, 2.3 amps
GFDS_241	24" Single Faucet Beer Dispenser, Solid Door with Lock	115V, 60Hz., 1 Phase, 2.3 amps
GFDS_242	24" Double Faucet Beer Dispenser, Solid Door with Lock	115V, 60Hz., 1 Phase, 2.3 amps
GIM_15	15" Ice Machine	120V, 60Hz., 1 Phase, 3.8 amps

\_ = Specify (L) or (R) for Left or Right Hinge model

Hestan products are approved for outdoor use only. Hestan Commercial Corporation reserves the right to change materials and specifications without notice.



All Products



Ice Machine Only