

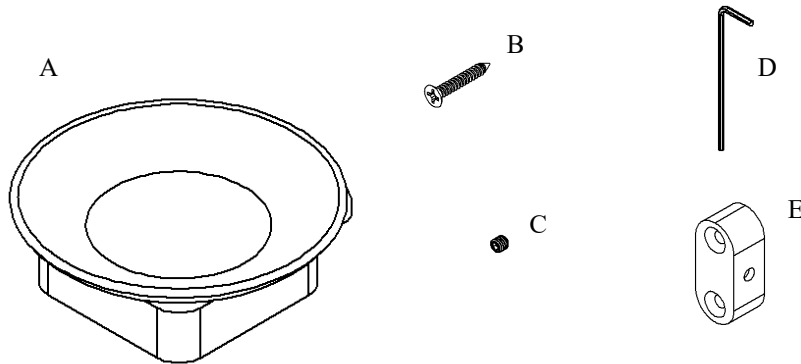


*Exhilarating by Design*

# Volkano Flow Soap Dish Holder

## Installation Guide

Code: V4513, V4514, V4515



Parts Included	QTY
A - Soap Dish Holder	1
B - Screw	2
C - Set Screw	1
D - Allen Key	1
E - Bracket	1

Model #	Description	Finish	Weight (lb)	WxHxD (mm)	WxHxD (Inches)	Metal Type
V4513	Flow Soap Dish Holder	Chrome	1	110 x 35 x 110	4 x 1.5 x 4	Brass
V4514	Flow Soap Dish Holder	Brushed Nickel	1	110 x 35 x 110	4 x 1.5 x 4	Brass
V4515	Flow Soap Dish Holder	Matte Black	1	110 x 35 x 110	4 x 1.5 x 4	Brass

**Warranty:** 2 Years

**Care & Maintenance:** A periodic wash using warm water and a soft cloth will retain the high quality finish of your Volkano product for many years to come. ON NO ACCOUNT should any household bleaches, detergents, abrasive polishes, steel wool or other cleaning agents be used on this item.

