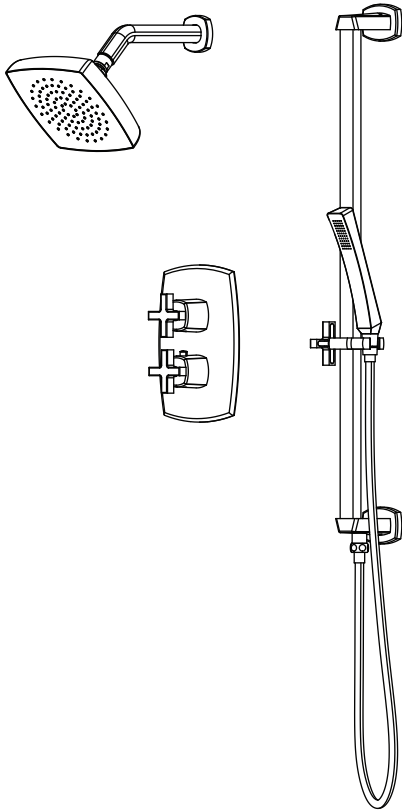


## 240.7100 | Two Output Shower W/ Rain Head, Hand Held & Slide Bar



### COMPONENTS

- RHW.7C - 7" Head w/ 8" Arm
- 240.4000T - Shower Trim
- TVH.4420F - Shower Valve
- HS1026H - Hand Held
- 240.601005A - Slide Bar
- SP.150EM - 1.5m Hose

### SHOWER VALVE:

- Thermostatic shower valve
- Valve includes service stops
- Turn bottom handle to set temp.
- Top handle controls water diversion
- Includes 15109 non-shared cartridge

### SHOWER HEAD:

- Solid brass construction
- 1.8 GPM flow rate

### HAND HELD W/ SLIDE BAR & ELBOW:

- Solid Brass construction
- Hand held flow rate = 1.8 GPM
- 1/2" female NPT elbow connection
- With back flow prevention check valve

### STANDARDS:

- ASME A112.18.1 / CSA B125.1

See individual component specification sheets on following pages for further details.



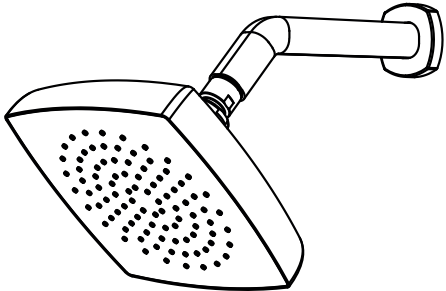
**RHW.7C | 7" Brass Shower Head With 8" Wall Mount Shower Arm**

**SPECIFICATIONS:**

- Solid Brass construction
- With Swivel action
- Shower arm has sliding flange

**STANDARDS:**

- ASME A112.18.1 / CSA B125.1



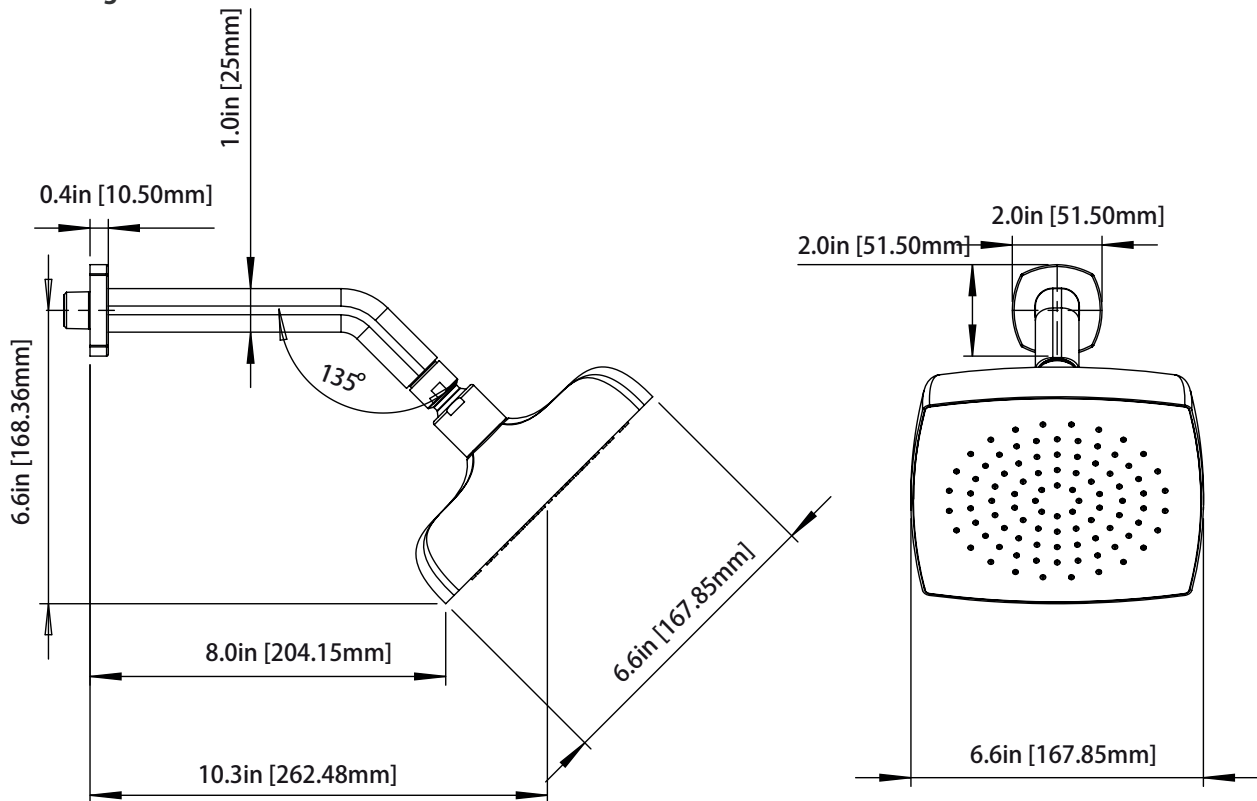
Legislation Compliance



ZeroDrip Technology

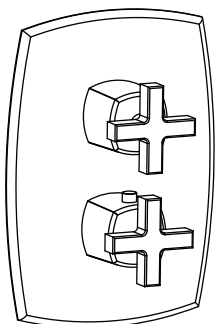


**Technical Diagram**



**240.4000T | Thermostatic Shower Trim**

**SPECIFICATIONS:**



- Solid Brass Construction
- Valve not included - Trim only
- Turn bottom handle to control temperature.
- Turn top handle to control volume.

Belgian Mirror Finish



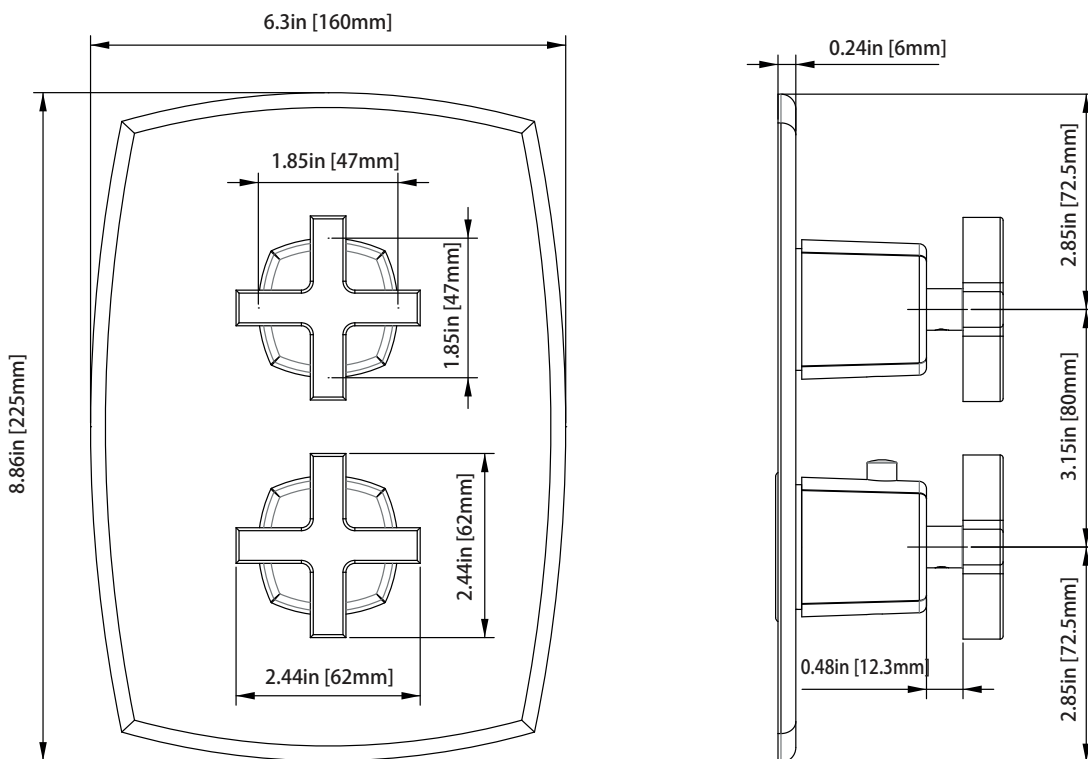
Legislation Compliance



ZeroDrip Technology

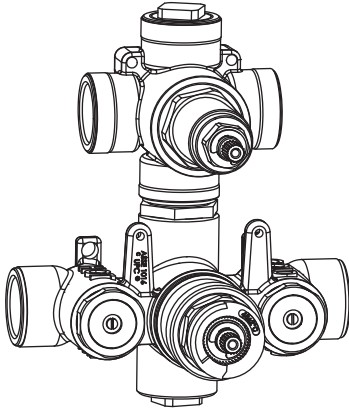


**Technical Diagram**





**TVH.4420F | 3/4" Thermostatic Valve With 2-Way Diverter & Integrated Volume Control** Page 1 of 2



**SPECIFICATIONS:**

- Turn bottom knob to control temperature.
- Turn top knob to control water flow.
- Thermostatic Valve Flow Rate - 8.0 GPM @ 60 PSI
- Extension Available - TVH.4101E\*\*

**STANDARDS:**

- ASME A112.18.1 / CSA B125.1

**!**  
A separate volume control is **not** needed to turn water supply off. Volume control functionality is integrated within this valve.

CALGreen Compliant



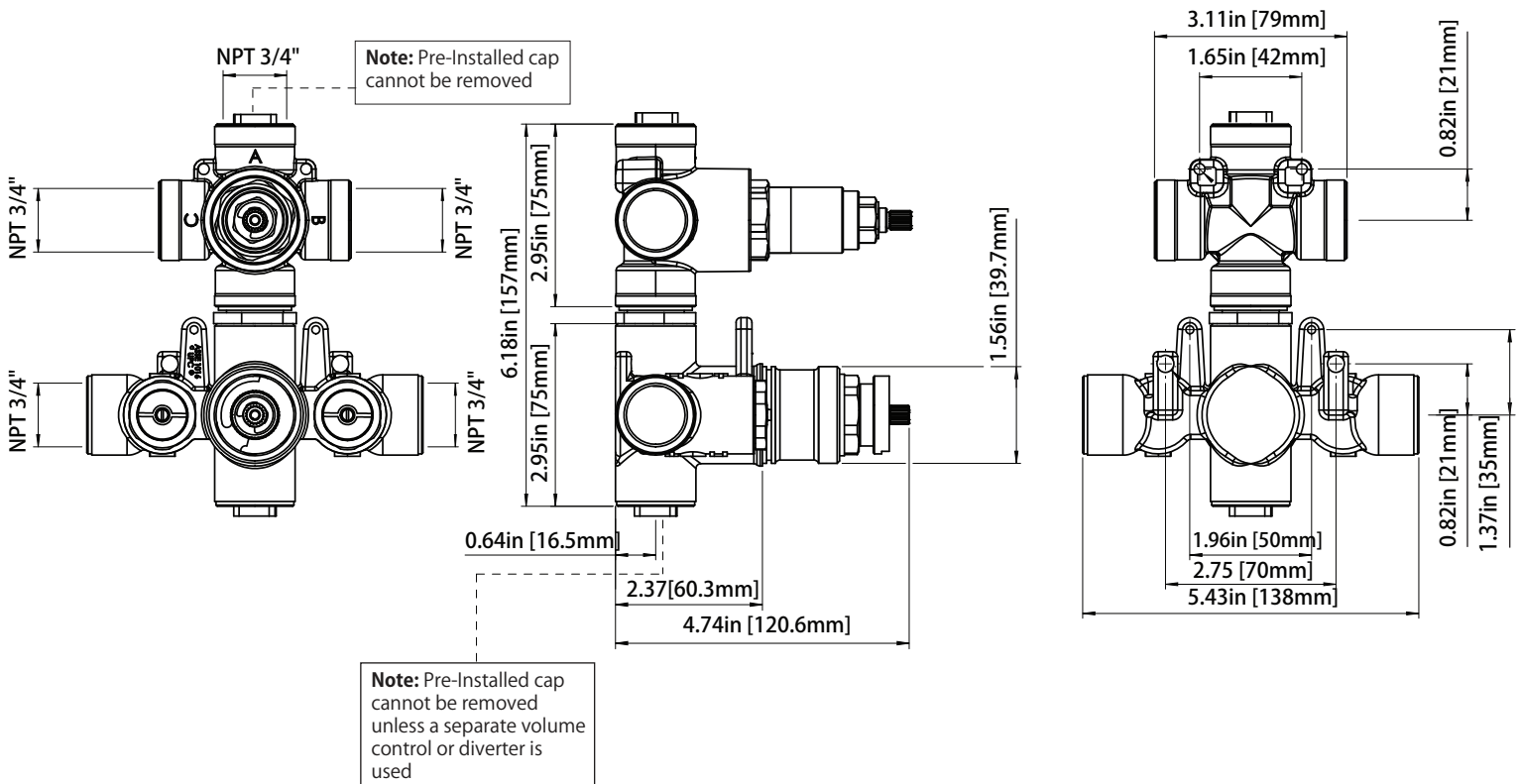
Legislation Compliance



ZeroDrip Technology



**Technical Diagram**



TVH.4420F | 3/4" Thermostatic Valve With 2-Way Diverter & Integrated  
Volume Control Page 2 of 2



**TWO OUPUT - CAL-GREEN - NO SHARED PORT OPERATION**

Diverter Cartridge # - **15109** (Included)

Total 3 Positions as defined below, with **only** 1 port active at one time.

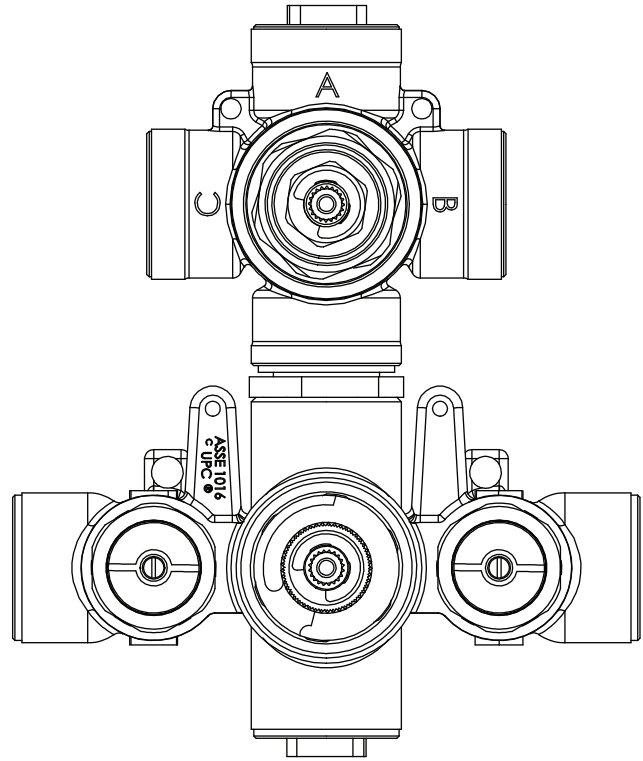
- Position 0 - Off - No Water Flow
- Position 1 - Output B Activated
- Position 2 - Output C Activated

**TWO OUPUT - SHARED PORT OPERATION**

Diverter Cartridge # - **15103** (Not Included)

Total 4 Positions as defined below, with 2 ports active at one time.

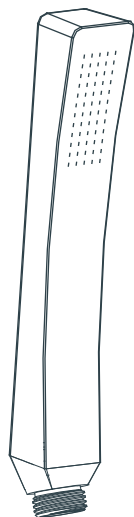
- Position 0 - Off - No Water Flow
- Position 1 - Output B Activated
- Position 2 - Output B+C Activated
- Position 3 - Output C Activated



**HS1026H | Solid Brass Hand Shower**

**SPECIFICATIONS:**

- Solid Brass Construction
- 1.8 GPM Flow Rate
- With back flow prevention check valve



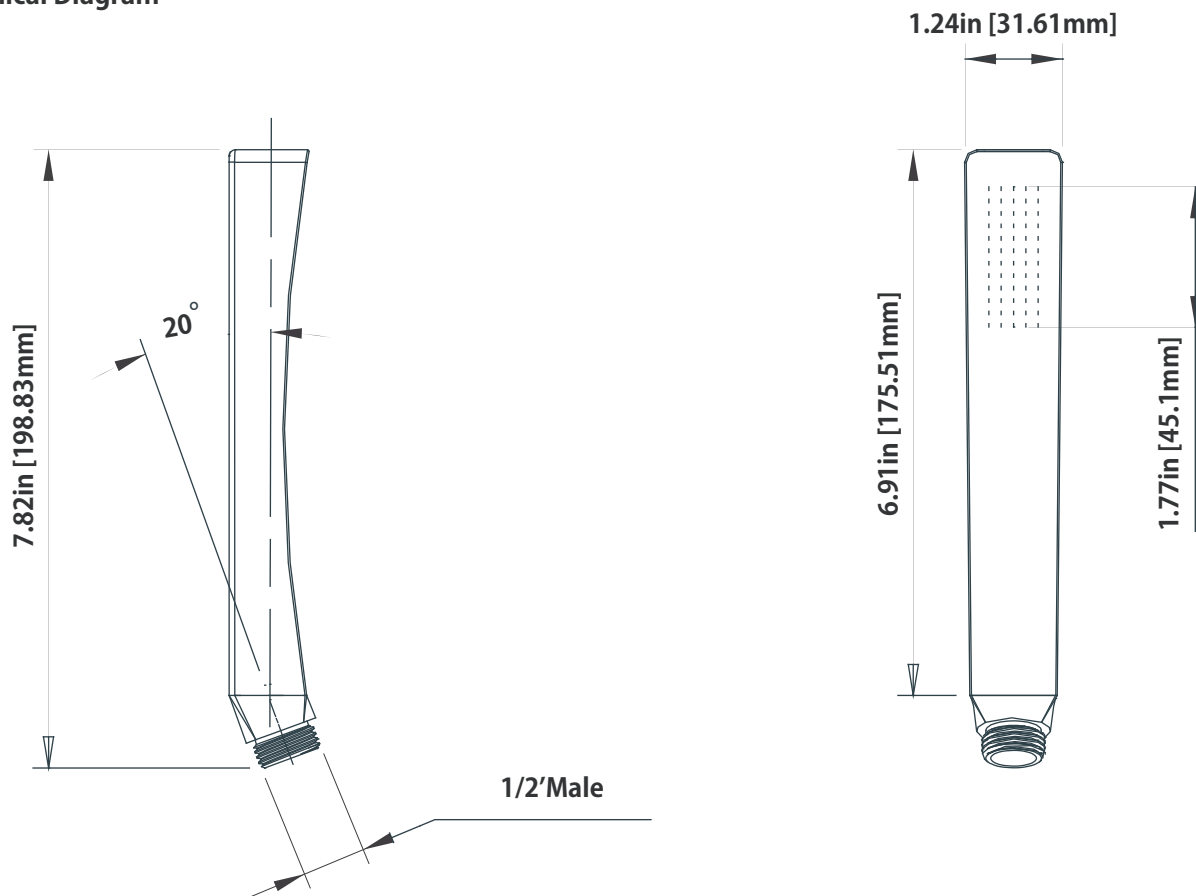
Legislation Compliance



ZeroDrip Technology



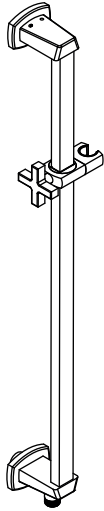
**Technical Diagram**



240.601005A | Slide Bar With Built In Supply Elbow

SPECIFICATIONS:

- Solid Brass construction
- 1/2" female connection with adjustable slide on installation
- Includes check valve with back-flow prevention



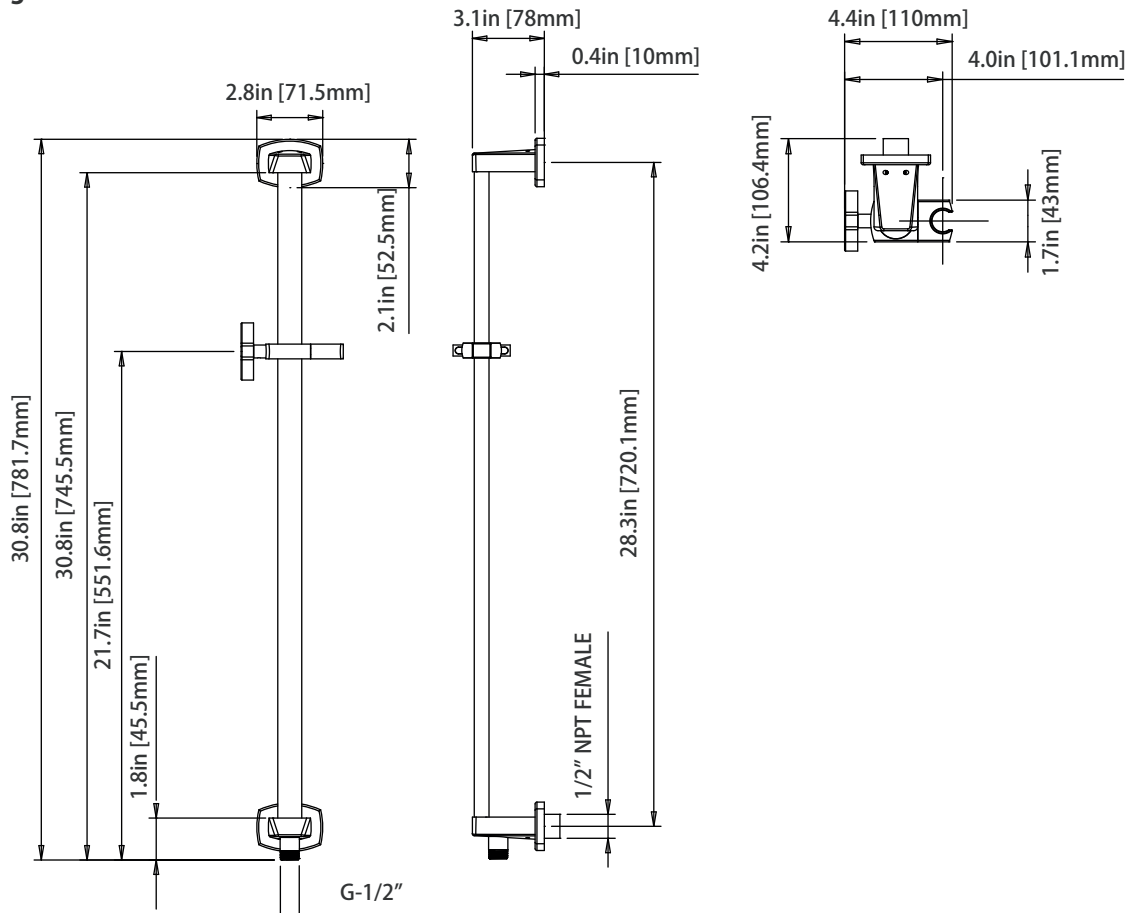
Legislation Compliance



ZeroDrip Technology



Technical Diagram



SP.150EM | Easy Maneuver Hose



SPECIFICATIONS:

- Stainless steel construction
- G-1/2" connection
- 1.5m length

Legislation Compliance



ZeroDrip Technology



Technical Diagram

