

## 6" x 6" Square Tile-In Channel Drain Grate

**Model #: 6206-6-**

### FEATURES:

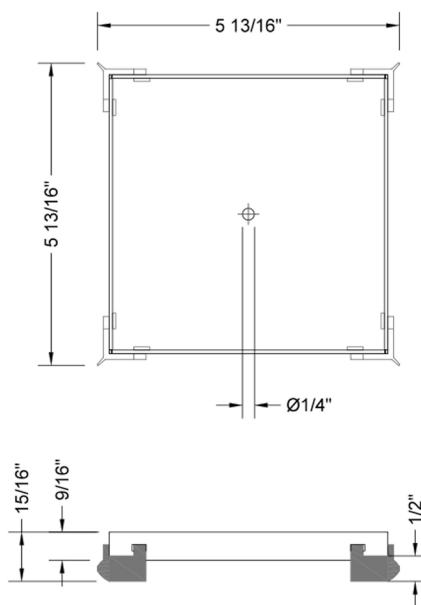
- 304 stainless steel construction
- Key included to remove grate for easy cleaning
- 6" x 6" empty tray—insert your own tiles
- For use with 84266 channel body



### AVAILABLE FINISHES:

Brushed Stainless (BSS)

### SPECIFICATION DRAWING:



### COMPLIANCES:

Complies with: ASME A112.18.2-2015/CSA B125.2-15