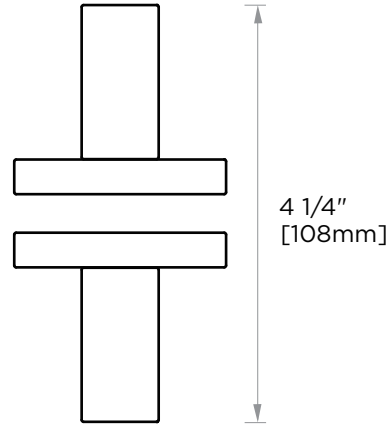


**FRANKFURT
COLLECTION
DOUBLE SDH KNOB
3137502**



PRODUCT NAME: DOUBLE SDH KNOB

PRODUCT CODE: 3137502

MATERIAL: All-brass construction

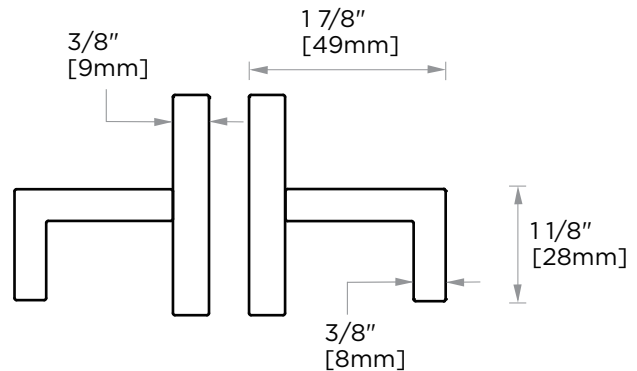
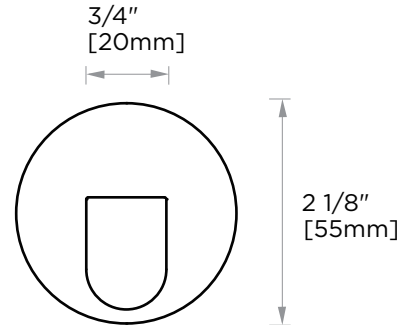
KEY FEATURES: Transitional design.
Round and straight lines

STOCKED FINISHES:

- Polished Chrome (99)
- Brushed Nickel (81)
- Polished Nickel (68)

SPECIAL FINISHES AVAILABLE: 26 options available.
Please see our website for full list samples

WARRANTY:
Lifetime Limited (Residential Use)
One Year (Commercial Use)



NOTE: Dimensions and specifications are subject to change without notice.