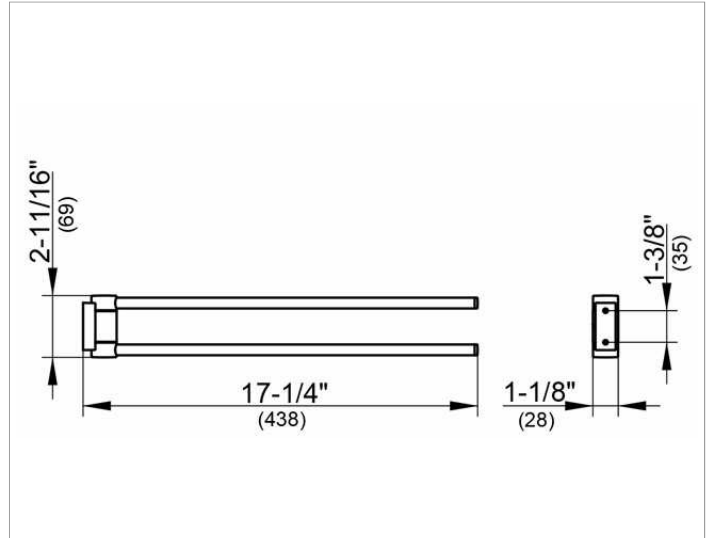


Plan
14918070000 Towel holder

PRODUCT



DRAWING



PRODUCT ATTRIBUTES

two arms, swiveling

SURFACE

stainless steel

DIMENSION

17,24 "

SPECIFICATIONS

KEUCO PLAN towel holder 14918070000
 Towel holder in high grade stainless steel, in a stylish yet functional design
 Two stacked, independent laterally swiveling arms
 Anti static, easy to clean,
 Projection: 17-1/4"
 The towel holder is fitted with two hidden fixing points
 incl. corrosion-free mounting material

Warranty: KEUCO products are covered by a 5-year manufacturer's warranty, in effect from the date of purchase. During this time, proven product defects will be remedied free of charge. Warranty claims must be filed in writing, including a detailed description of the defect immediately after a defect has occurred. For a copy of our detailed product warranty policy, please contact us at office-usa@keuco.com.

Installation: KEUCO products must be installed by a qualified professional in accordance with the respective installation guidelines and any applicable federal / local building codes and regulations.