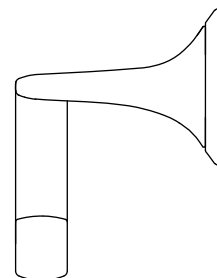
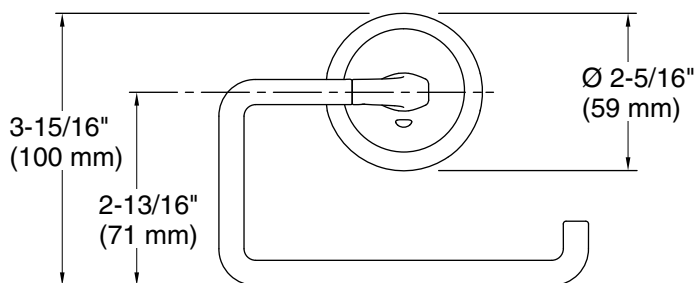
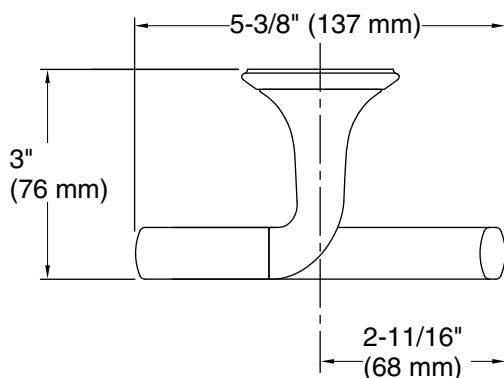


FEATURES

- Solid metal construction for durability and reliability
- Includes hex wrench for installation
- Complements the Script collection



SPECIFIED MODEL

Model	Description	Finishes		
P25049-00	Script Toilet Paper Holder	<input type="checkbox"/> CP Polished Chrome	<input type="checkbox"/> AD Nickel Silver	<input type="checkbox"/> BCH Blush Bronze

We reserve the right to make revisions without notice in the design of products or in packaging unless this right has specifically been waived at the time the order is accepted.