

## FEATURES

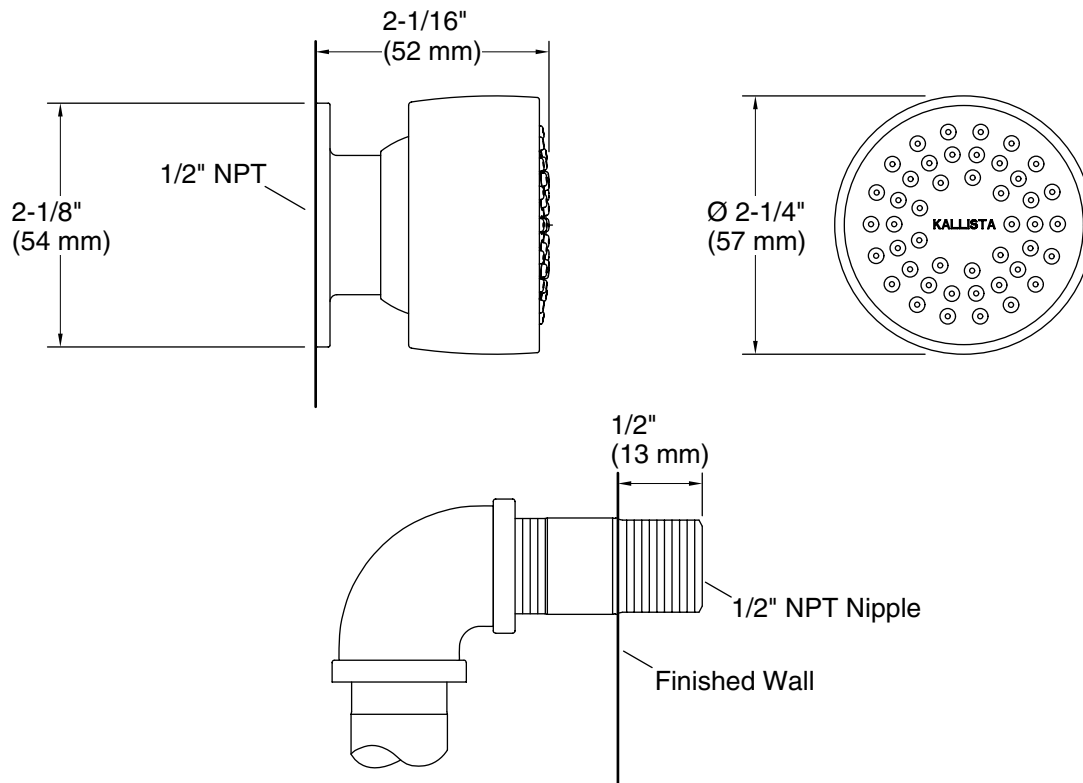
- Solid brass construction for durability and reliability
- Quarter-turn washerless ceramic disc valves
- Sprayhead pivots 25 degrees
- Features an internal volume control for complete shut-off
- No separate volume control valve and trim necessary
- Easy to clean sprayface resists mineral buildup
- 2.5 gal/min (9.5 l/min) and 1.5 gal/min (5.7 l/min) maximum flow rate available
- Complements Kallista faucets and fixtures

## CODES/STANDARDS APPLICABLE

Specified model meets or exceeds the following:

- ASME A112.18.1/CSA B125.1
- CEC Compliant (P22078-H Only)

# P22078



SPECIFIED MODEL			
Model	Description	Finishes	
P22078-00	TurnSpray Modern Body Spray, 2.5 gal/min (9.5 l/min)	<input type="checkbox"/> CP Polished Chrome	<input type="checkbox"/> AD Nickel Silver
		<input type="checkbox"/> BZ Antique Bronze	<input type="checkbox"/> GN Gunmetal
		<input type="checkbox"/> W7 Black Nickel	<input type="checkbox"/> YG Matte Gold
P22078-H	TurnSpray Modern Body Spray, 1.5 gal/min (5.7 l/min)	<input type="checkbox"/> CP Polished Chrome	<input type="checkbox"/> AD Nickel Silver
		<input type="checkbox"/> BZ Antique Bronze	<input type="checkbox"/> GN Gunmetal
		<input type="checkbox"/> W7 Black Nickel	<input type="checkbox"/> YG Matte Gold

We reserve the right to make revisions without notice in the design of products or in packaging unless this right has specifically been waived at the time the order is accepted.