



**Brenham™**  
Wall-Mount Bathroom Sink  
**K-1997-8N**

**Features**

- 8-inch center faucet holes.
- Oval basin.
- Sealed overflow drain.
- Includes wall hanger.

**Material**

- Vitreous china.

**Installation**

- Wall-mount
- Drilled for concealed arm carrier installation.

**Optional Products/Accessories**

- K-8998 P-Trap
- K-1998 Shroud

**Included Components**

- Additional Components:  
Hanger(s) (Qty 2)



**ADA** **CSA B651** **OBC**

**Codes/Standards**

- ASME A112.19.2/CSA B45.1
- ADA
- ICC/ANSI A117.1
- CSA B651
- OBC

**KOHLER® One-Year Limited Warranty**

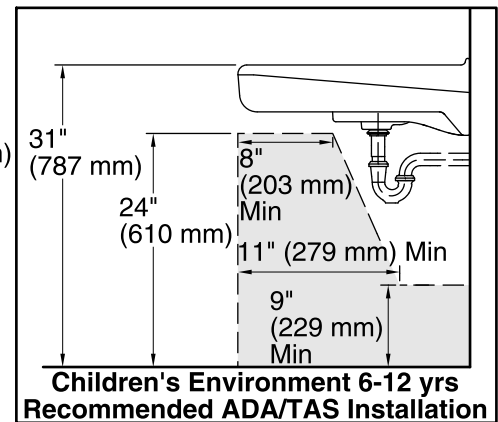
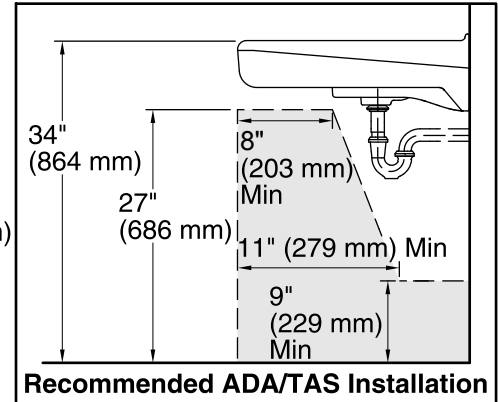
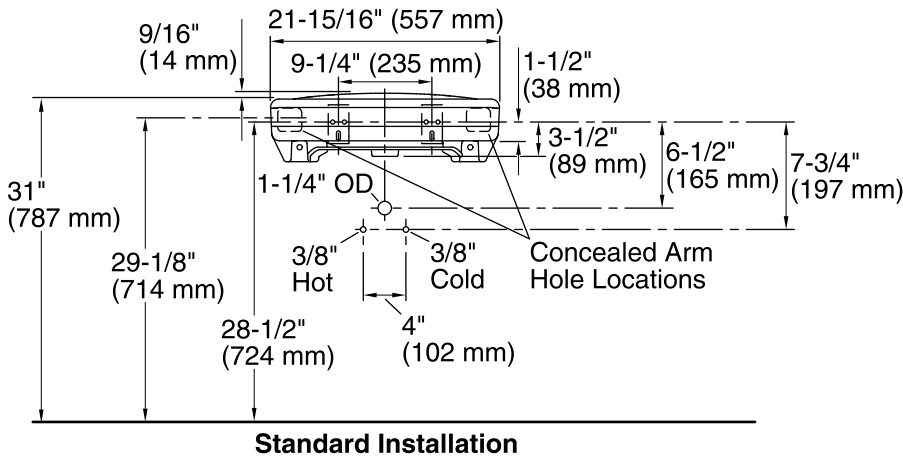
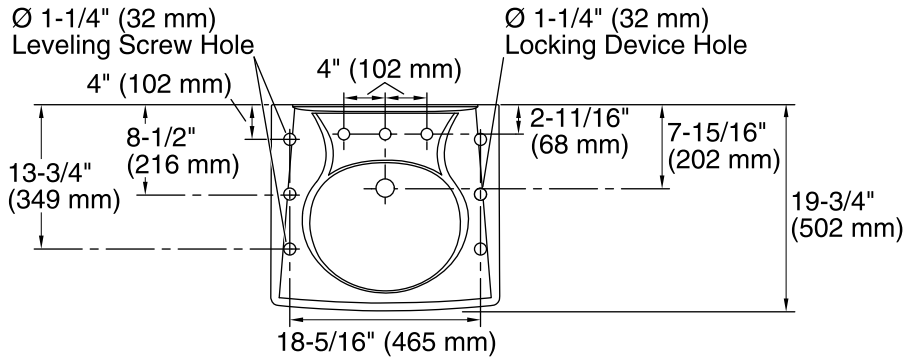
See website for detailed warranty information.

**Available Colors/Finishes**

*Color tiles intended for reference only.*

**Color Code Description**

■ 0 White



### Technical Information

All product dimensions are nominal.

- Bowl configuration: Single  
 Installation: Wall-mount  
 Bowl area (Only): Length: 14-3/8" (365 mm)  
 Width: 12-5/16" (313 mm)  
 With overflow: Yes  
 Water depth: 3-1/4" (83 mm)  
 Number of deck holes: 3  
 Faucet hole spacing: 8" (203 mm)  
 Faucet hole(s): 1-3/8" (35 mm)  
 Drain hole: 1-3/4" (44 mm)

### Notes

- Install this product according to the installation instructions.  
 ADA, OBC, CSA B651 compliant when installed to the specific requirements of these regulations.