

Features

- Sleek, exposed roller design allows for effortless opening and closing of the sliding panel
- Frameless design emphasizes glass and creates a sleek, minimalist look
- Controlled Close™ innovative soft-close with double-dampening technology eliminates slamming and brings door to a secure close
- Back-to-back 11-1/2" (292 mm) vertical handles
- CleanCoat®+ glass coating creates a hydrophobic barrier that repels water, soap scum, and residue, saving time and protecting shower doors 10 times longer than original CleanCoat. (Based on 2021 internal wear/abrasion testing using a microfiber cloth.)
- Coordinates with other products in the Composed® collection

Material

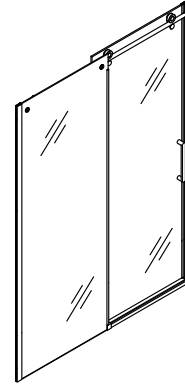
- Frameless, heavy 3/8" (10 mm) thick Crystal Clear tempered glass with frosted privacy band
- Anodized aluminum prevents rust and corrosion

Installation

- 78" (1981 mm) high, with a lofty 74-7/8" (1902 mm) minimum head clearance
- Fits opening widths 44-1/8" - 47-7/8" (1121 - 1216 mm)
- 3-3/4" (95.25 mm) width adjustment
- Out-of-plumb adjustability simplifies installation
- Door can be installed to open to the left or right to suit your bathroom layout
- For residential use only
- Not for use in hospitality
- Not for use with cast iron shower bases

Recommended Products/Accessories

K-23723 Faucet cleaner



Codes/Standards




ANSI Z97.1
CPSC 16CFR 1201

KOHLER® One-Year Limited Warranty

See website for detailed warranty information.

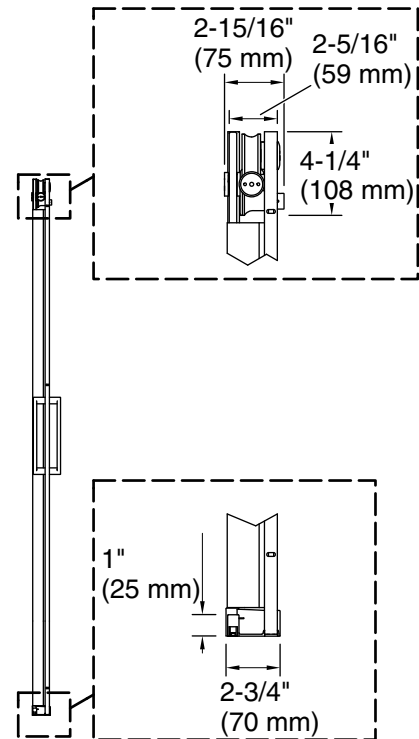
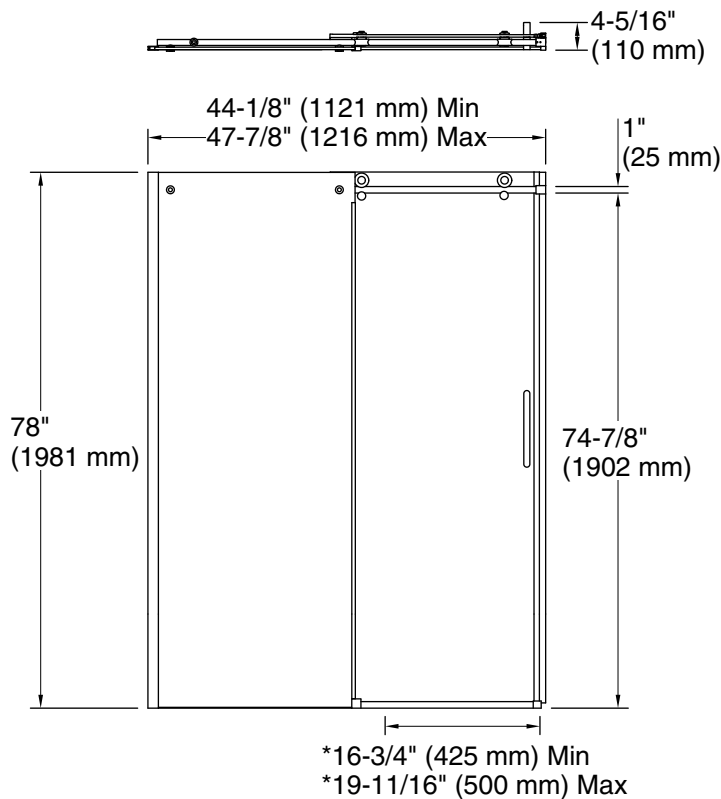
Available Colors/Finishes

Color tiles intended for reference only.

Color	Code	Description
	SHP	Bright Polished Silver
	BNK	Anodized Brushed Nickel
	BL	Matte Black

Available Glass Options

Code	Description
G81	Crystal Clear with Frosted Privacy Band



*Walk-through

Technical Information

All product dimensions are nominal.

Installation type: For shower base installation

Base-To-Wall 3/8" (10 mm)

Radius – Max:

Glass thickness: 3/8" (10 mm)

Glass coating: CleanCoat+

Notes

The vertical opening should be a minimum of 80" (2032 mm) to allow for installation clearance.