

CUTTING BOARD MWCB-651BB



FEATURES

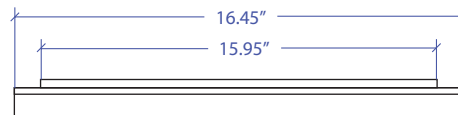
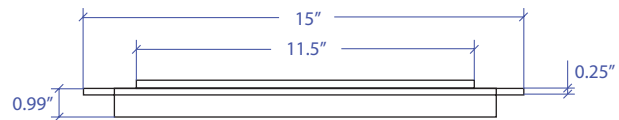
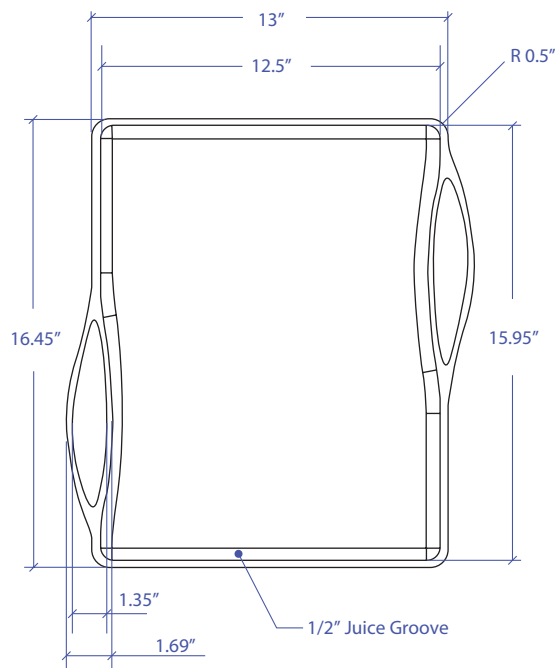
- Stainless Steel Construction
- Removable Cutting Board

TECHNICAL INFORMATION

- Dimension: 16.45" L x 15" W
- Thickness: 0.25"
- Corner: 0.5" Round

FINISHES

- Satin Brushed Stainless Steel
- Natural Bamboo



PROJECT INFORMATION			
Project			
Date	/	/	QTY
Specifier			
Contact			
Note			