



Shown with faucet installed (not supplied by MTI),

# MTI BASICS® Tubs

## MBXFSX5832A

58" x 32" x 22"

### GENERAL SPECIFICATIONS:

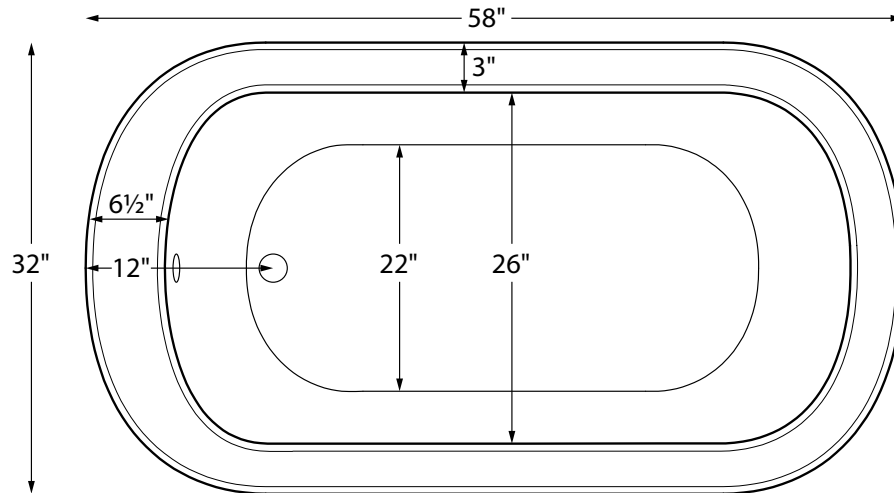
Installation: Freestanding

Material: Acrylic

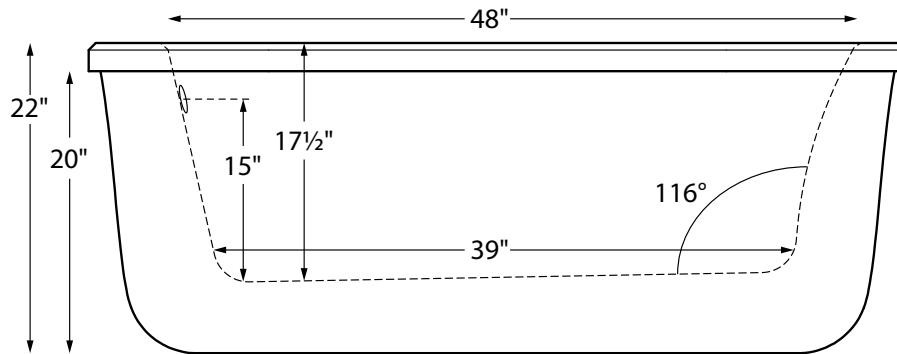
Soaker Weight: 128 lbs / 58 kg

Maximum Fill: 50 gal to overflow

**NOTE:** Filling this tub to the maximum may require an above average size or dedicated water heater.



Features a 6.5" wide flat deck surface on the drain side for mounting faucetry.



### IMPORTANT ORDERING & INSTALLATION INFORMATION:

- Freestanding tub is designed to install on a finished floor that is flat and level.
- Tub has room between tub walls on the drain side and underneath for plumbing connections roughed-in above the finished floor.
- Tub has no access panel, however a panel may be specified at the time of order. Factory installed access panel will be visibly located behind the waste and overflow. Please consider access panel visibility before ordering and when planning final installation position.
- The Virtual Spout is installed below the water level of the tub. MTI supplies a Wilkins dual check valve and an Acme in-wall atmospheric vent to backsiphonage. However, some areas of the country require additional backflow prevention when water is introduced to the bath below the water level. Please check local codes.
- Options listed cannot be combined with Designer Collection options.

• Before discarding tub crate, check for accessories that may be packaged inside.  
 • All product measurements are  $\pm 1/2"$ .  
 • Specifications and configurations are subject to change without notice.  
 • Measurements herein supersede all others published prior to publication date below.



PACKAGE	PACKAGE CONTENTS	PART #
Soaker	Soaking bath - No jets. Includes pre-leveled foam base.	MBXFSX5832A
Soaker With Virtual Spout	Soaking bath - No jets. Includes Virtual Spout integrated high-flow tub filler (see important ordering information), pre-leveled foam base.	MBXFSX5832AVS

OPTIONS (Must be ordered at time of purchase)
<b>Standard</b> White (no charge) <b>Color Upgrade:</b> Biscuit (MTISCOLOR)
<b>Quick Drain Connect Kit</b> - Not available seperately, must be ordered with tub. Standard (MBQUICK) Cast Iron (MBQUICKCI)

ACCESSORIES.
<b>Lift and Turn Drain &amp; Overflow</b> Chrome (MBWOC) Brushed Nickel (MBWOBN) White (MBWOW)
<b>Pillows</b> Soft Pillow White (MBPSW) Black (MBPSB) Roll-Up Pillow Light Aqua (MBPRUC) Black (MBRUB)



Optional access panel shown above. Does not come standard. Consider visibility of access panel when planning installation.



Features a larger space underneath the tub for an above floor rough-in for quick and easy installation.

Drain assembly is not included with tub. Optional Quick Drain Connect Kit shown above at floor level is available for purchase with tub.