

## Installation Instructions

### 1/2" & 3/4" STOP VALVE / VOLUME CONTROL

Model No. I-606CT, I-606HT, I-607CT, and I-607HT

**NEWPORT BRASS**

Flawless Beauty. From Faucet to Finish.™

#### Recommended Installation by a Professional Plumbing Contractor

**Note:** Use plumbers tape or equivalent to seal all threaded port joints.

**Warning:** To prevent severe damage to valve, any solder/braze process must be performed a min. of 4" from ports.

These valves may be used as stop & volume controlling valves between water source and end output device. Typical usage is between thermo valve and multiple output devices (eg. Showerhead, body sprays, handshowers, etc...).

#### Installing valve:

1. Attach supply source to inlet of valve. Water flow direction is indicated by "ARROW" on side of body.
2. Attach end device to outlet of valve.
3. Position valve in wall as shown below. These dimensions are for typical installations. If thick finished wall materials are to be used in construction, it is recommended that valve is position toward outer face of stud.
4. Support valve and/or piping to stud framing using strap tape or equivalent.

**Note :** If cartridges are removed during installation, re-torque to factory specification of 14-16 ft.-lbs.

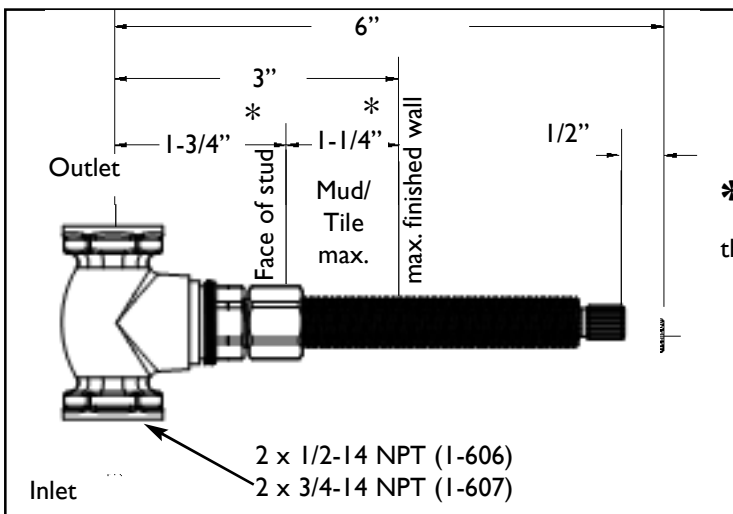
5. Adjust stiffness of stem rotation by tightening or loosening TORQUE NUT. Check stiffness by placing lever handle in horizontal position onto cartridge stem. Handle should not rotate under its own weight.

(Note: Water supply to valve should still be off; water pressure may affect the stiffness of stem.)

6. Turn on water supply and inspect for leaks.

#### Installing Trim (after wall is finished):

1. Place escutcheon/bonnet trim on valve.
2. Mark the all-thread where excess needs to be trimmed.
3. Remove escutcheon/bonnet trim and cut all thread nipple 1/16" less than indicated mark (prevents exposure of thread ends).
4. Cut cartridge stem 1/2" past end of all-thread nipple (stem is grooved at 1/2" intervals).
5. Reinstall escutcheon/bonnet trim and handle.
6. Secure handle into place by tightening handle setscrews.

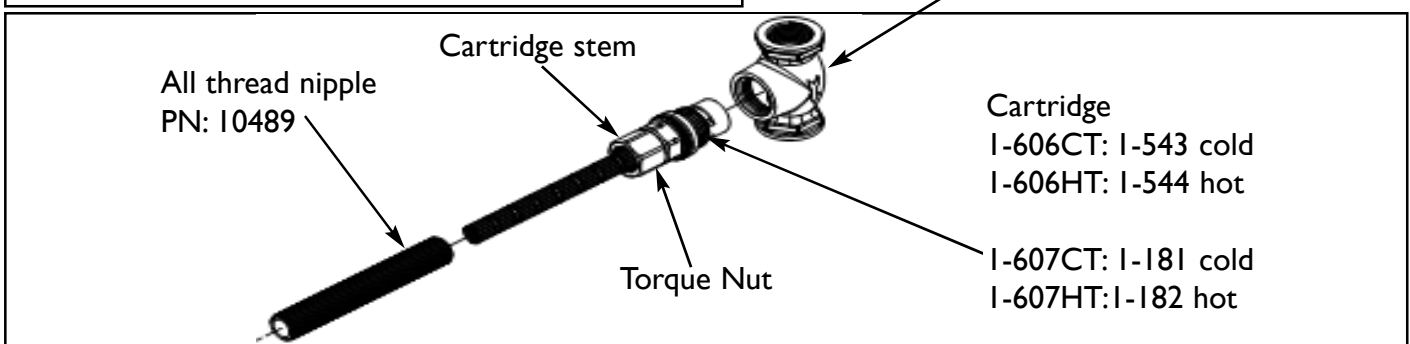


\* If finished wall material is thicker than "Mud/ Tile max" stated, then the "Face of stud" dimension must be less than shown.

Valve Body

1/2" for Model # I-606CT, I-606HT

3/4" for Model # I-607CT, I-607HT



(949) 417-5207

Santa Ana, CA 92705

www.brasstech.com

NWP-I-606CT

08/28/2012