

Features

- Solid brass construction
- Quarter-turn washerless ceramic disc valve cartridge
- ADA compliant traditional cold lever handle
- Spout assembly with integral supply hoses
- 6-7/16" (16.4 cm) spout height at outlet
- 4-13/16" (12.2 cm) spout reach (c-c)
- 1 gallon (3.6 liters) per minute maximum flow rate*
- For single hole configurations

**A Water Dispenser flow rate of approximately 1 gpm or less is typical but will vary depending on installation specific factors including in-line water pressure and water filtration system.*

Codes / Standards Compliance

Meets or exceeds the following at date of manufacture:

- ASME A112.18.1/CSA B125.1
- IAPMO/cUPC
- IPC
- NSF 61
- Energy Policy Act of 1992
- All applicable US Federal and State material regulations

Cold Water Dispenser Faucet

107C



Colors / Finishes

- 10B: Oil Rubbed Bronze
- 15: Polished Nickel
- 15S: Satin Nickel
- 26: Polished Chrome
- Other: Refer to the Newport Brass catalog for additional color/finish options.

Specified Model

Model	Description	Colors Finishes				
107C	Cold Water Dispenser Faucet	<input type="checkbox"/> 10B	<input type="checkbox"/> 15	<input type="checkbox"/> 15S	<input type="checkbox"/> 26	<input type="checkbox"/> Other
6-028	Integrated Air Gap Base**	<input type="checkbox"/> 10B	<input type="checkbox"/> 15	<input type="checkbox"/> 15S	<input type="checkbox"/> 26	<input type="checkbox"/> Other

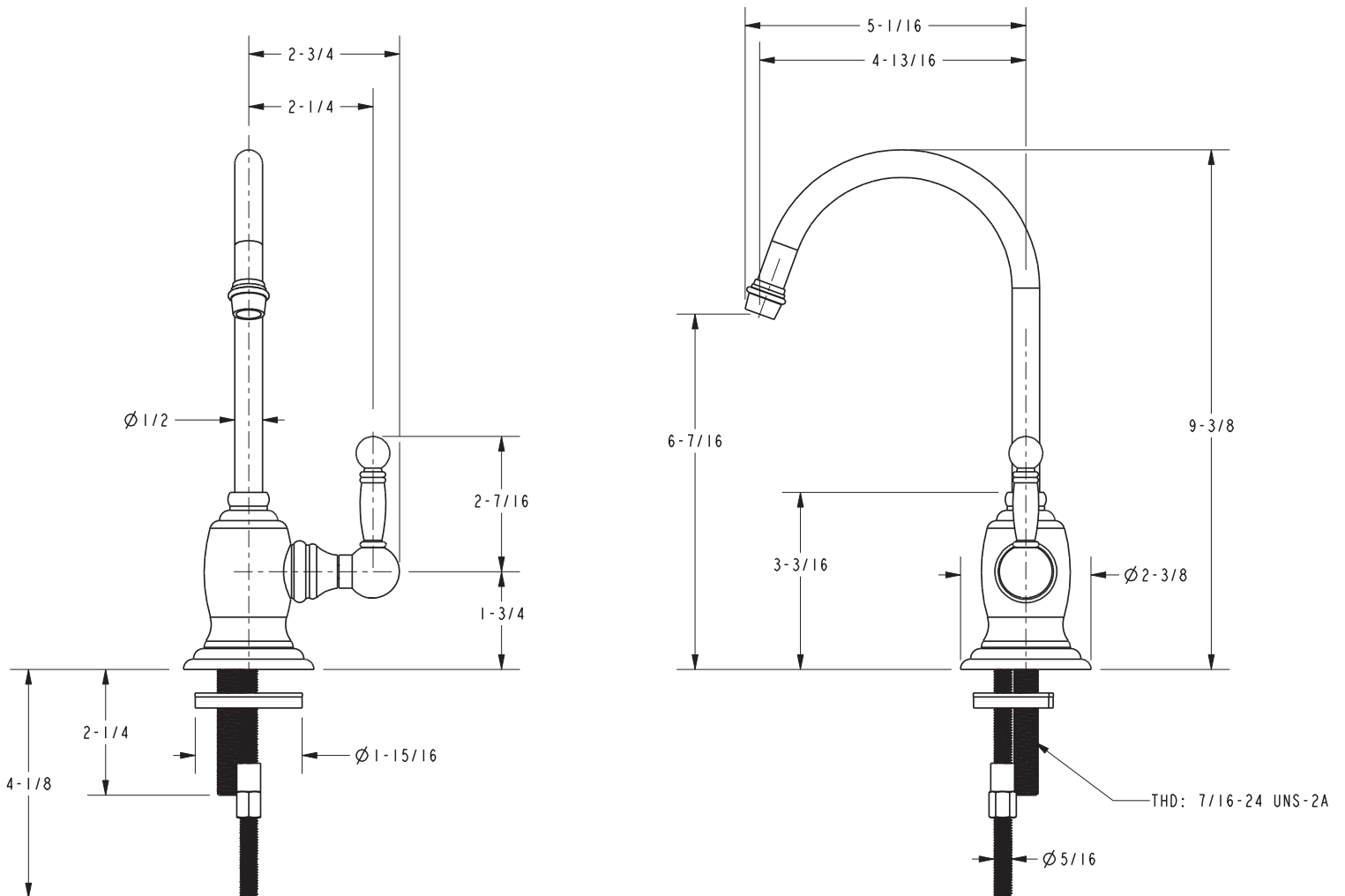
** The use of an air gap is required for dispenser faucets drawing from a reverse osmosis filtration system. The Integrated Air Gap Base (6-028) affords the functionality of a separate air gap within the design of the product as depicted. Failure to specify the Integrated Air Gap Base (6-028) will result in a product constructed using the standard base (no internal air gap).

Product Specification: Add "Color / Finish" suffix to Model number, below.

The Cold Water Dispenser Faucet shall be made of solid brass construction. Faucet shall incorporate a spout assembly with integral supply hoses and feature a quarter-turn washerless ceramic disc valve cartridge. Faucet shall incorporate an ADA compliant contemporary cold lever handle. Cold Water Dispenser Faucet shall have a 1 gallon (3.6 liters) per minute maximum flow rate and accommodate single hole configurations. Product shall incorporate a 6-7/16" (16.4 cm) spout height at outlet and a 4-13/16" (12.2 cm) spout reach (c-c). Cold Water Dispenser Faucet shall be Newport Brass Model 107C/_____. [Integrated Air Gap Base shall be Newport Brass Model 6-028/_____].

107C

PRODUCT DIMENSIONS *(Units are in inches)*



Nadya Cold Water Dispenser Faucet 107C