



PAIR OF EXTENDED WALL UNIONS

Perrin & Rowe® Bath

U.6389

FEATURES

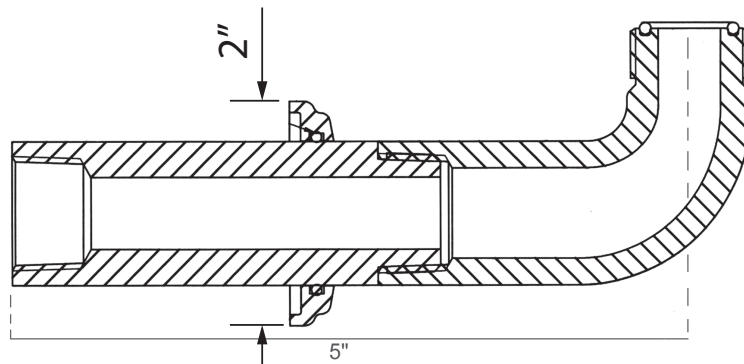
- For use with exposed tub fillers
- 3/4" female NPT inlet
- Projects 5" from wall
- U.6399 3" extension unions available to lift height of tub filler

COLORS/FINISHES

- Polished Chrome
- Polished Nickel
- Satin Nickel
- English Bronze
- Inca Brass

WARRANTY

- Limited Lifetime



ROHL.

Authentic Luxury for Kitchen and Bath®

www.rohlhome.com

SPARE PARTS

