

### FEATURES

- Gentle Aerated, Warm Water, Dual Action Spray with oscillating and pulsating feature
- Adjustable water temperature and volume
- Instant water heating system for continuous warm water and energy saving
- Warm air drying with five variable temperature settings
- Automatic air deodorizer
- Convenient slim wireless remote, with illuminated touch pad
- 2 saved user settings
- Auto open/close lid
- Docking station for easy cleaning and installation
- Heated Seat with Temperature Control
- eWater+ auto-cleans wand and bowl
- On-demand remote function cleans wand with ewater+
- Water pre-mist of bowl before each use
- Night light

### MODELS

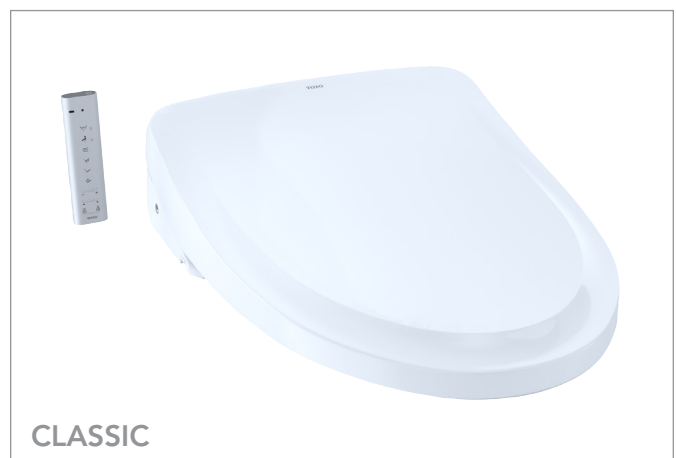
- SW3056 - Contemporary Design
- SW3054 - Classic Design

### COLORS/FINISHES

- #01 Cotton
- #12 Sedona Beige

### PRODUCT SPECIFICATION

Seat shall have gentle aerated, warm water, dual action spray with cycling movement and massage feature. Seat shall have adjustable water temperature and volume. Seat shall have warm air drying with five variable temperature settings. Seat shall have automatic air deodorizer. Seat shall include wireless remote control. Seat shall be solid plastic with closed front seat and cover. Seat shall include power cord, and water supply hoses. eWater+ cleans the bowl and wand. Seat shall have auto open/close lid. Seat shall have night light. Seat shall be model # SW3056 or SW3054\_\_\_\_\_



### CODES/STANDARDS

- Meets and exceeds ASME A112.4.2, ASME A112.18.1/CSA B125.1, UL 1431, CSA C22.2 #68
- Certifications: IAPMO(cUPC), State of Massachusetts, City of Los Angeles and others
- Code Compliance: UPC, IPC, NSPC, NPC Canada, and others



### SPECIFICATIONS

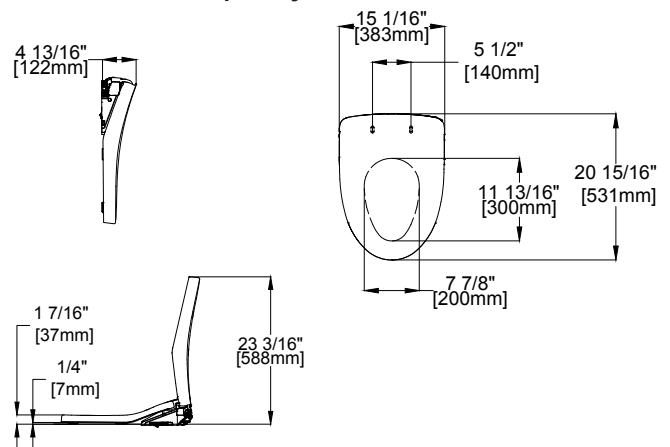
<b>Power Rating</b>	AC 120 V 60 Hz
<b>Power Consumption</b>	1288W
<b>Max Power Consumption</b>	1444W
<b>Power Cord Length</b>	3.94 ft (1.2 m)
<b>Spray Volume</b>	Rear Cleansing: 0.08 – 0.11 gal/min Rear Soft Cleansing: 0.08 – 0.11 gal/min Front Cleansing: 0.08 – 0.11 gal/min Wide Front Cleansing: 0.08 – 0.11 gal/min
<b>Spray Features</b>	Adjustable Surface Temp: 86 – 104 °F (30 – 40 °C) Safety Device: Temperature Fuse
<b>Warm Air Dryer Features</b>	Adjustable Air Temp: 95 – 140 °F (35 – 60 °C) Airflow Volume: 10.24 ft <sup>3</sup> /min (0.29 m <sup>3</sup> /min) Safety Device: Temperature Fuse
<b>Heated Seat Features</b>	Adjustable Surface Temp: 82 – 97 °F (28 – 36 °C) Safety Device: Temperature Fuse
<b>Water Supply Pressure</b>	Minimum: 7.25 PSI (Dynamic) Maximum: 108.75 PSI (Static)
<b>Ambient Temp.</b>	32 – 104 °F (0 – 40 °C)
<b>Warranty</b>	One Year Limited Warranty
<b>Shipping Weight</b>	SW3056: 15.8 lbs SW3054: 16 lbs
<b>Shipping Dimensions</b>	SW3056 & SW3054: 23-1/2" L x 18-1/2" W x 6-1/2" H

### INSTALLATION NOTES

- WASHLET S550e may not fit certain toilet bowl designs
- If possible, with your order, please include your model number (from the underside of the tank lid).
- It is highly recommended to use a surge protector to prevent damage in the event of a power surge.
- For use with potable water only. Do not use with recycled water.
- Warning: Rated power consumption 1288W

### DIMENSIONS

#### SW3056 (Contemporary)



#### SW3054 (Classic)

