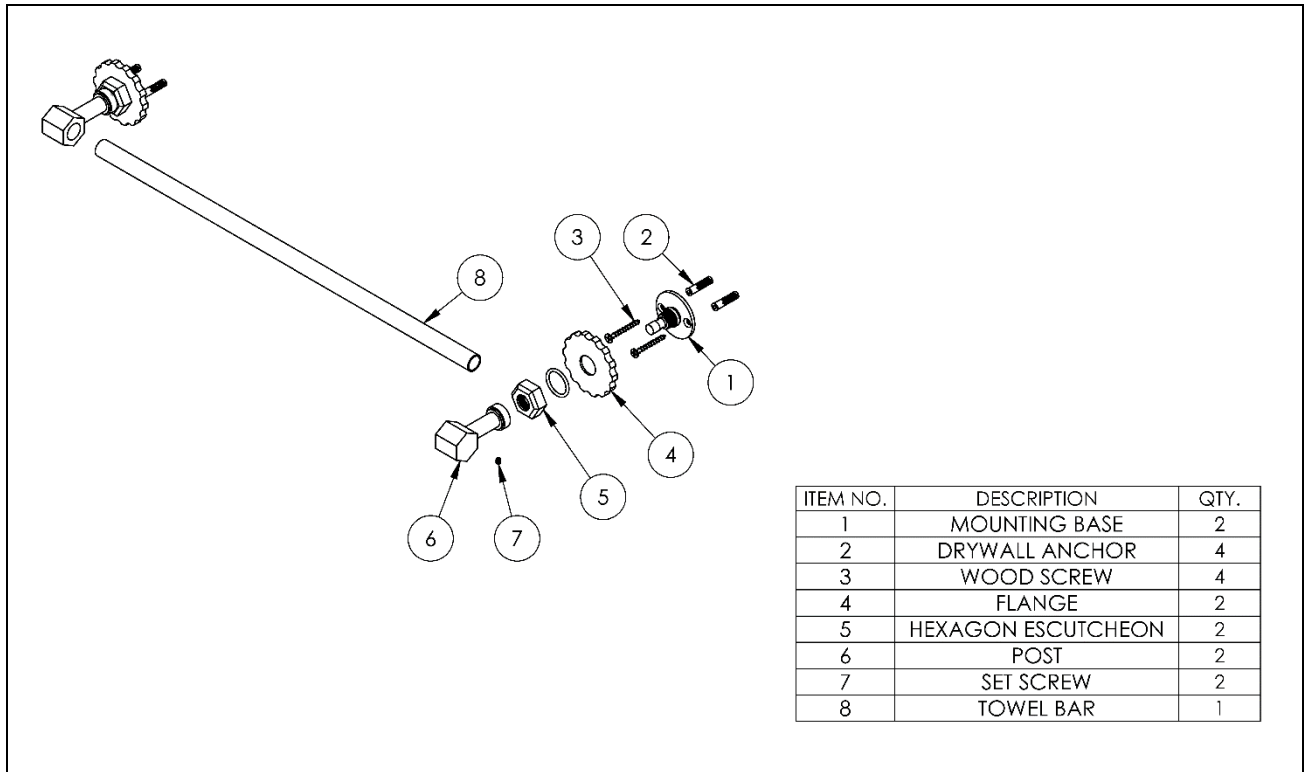
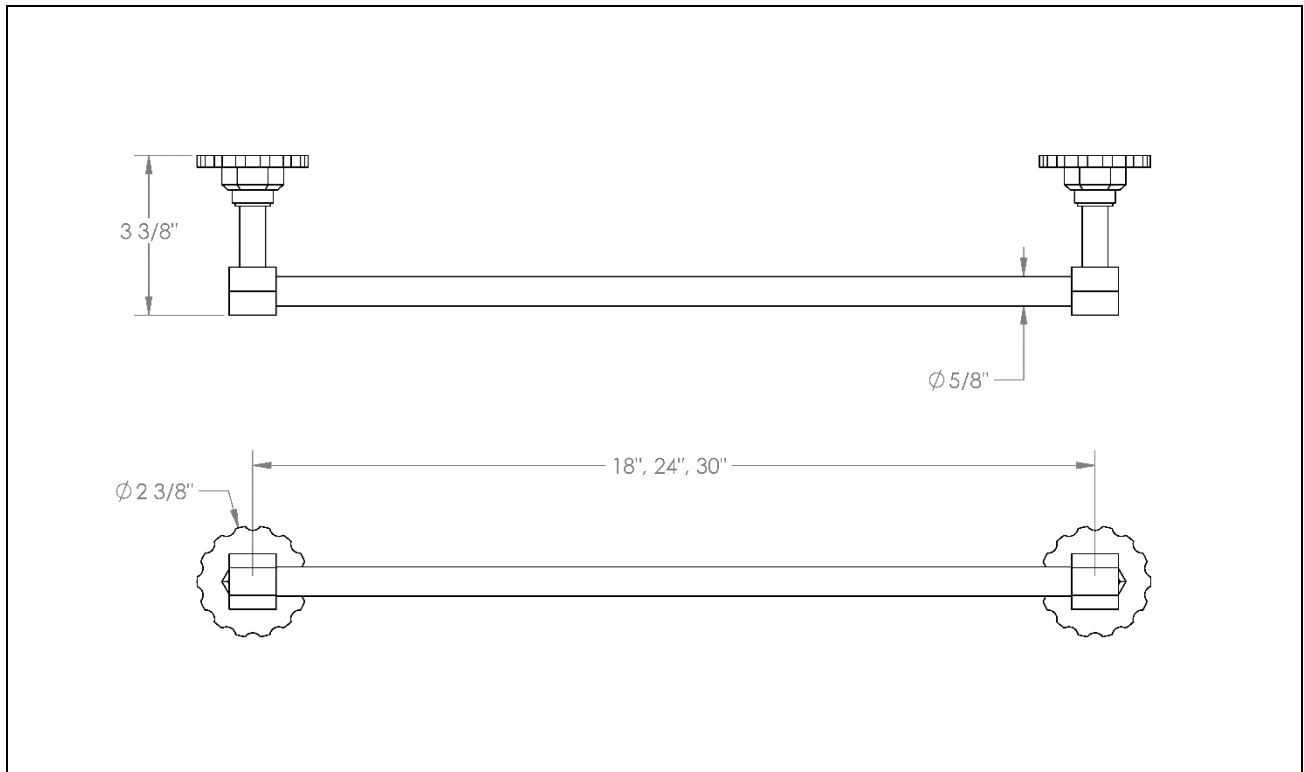


## Exploded View



## Dimensions



## Installation Instructions

1. Mark locations on wall using the **mounting bases** (1).
2. Drill appropriate hole sizes depending on whether the bases are being installed onto studs (recommended), drywall, or ceramic tiles. If mounting onto drywall, use the provided **drywall anchors** (2). Secure bases onto the finished wall with **wood screws** (3).
3. Slide the **flanges** (4) over each mounting base and tighten by threading the **hexagonal escutcheons** (5) onto the **mounting bases** (1). Ensure O-rings are compressed.
4. Slide the two **posts** (6) with **towel bar** (8) over both mounting shafts, with the set screw holes on the bottom, and secure both by tightening the **set screws** (7).

### IMPORTANT INSTALLATION INFORMATION

- Bar may be field cut.
- Towel bars should not be used as grab bars.
- Refer to maintenance guide for finish care instructions.

**For technical support, please call 718-257-2800**