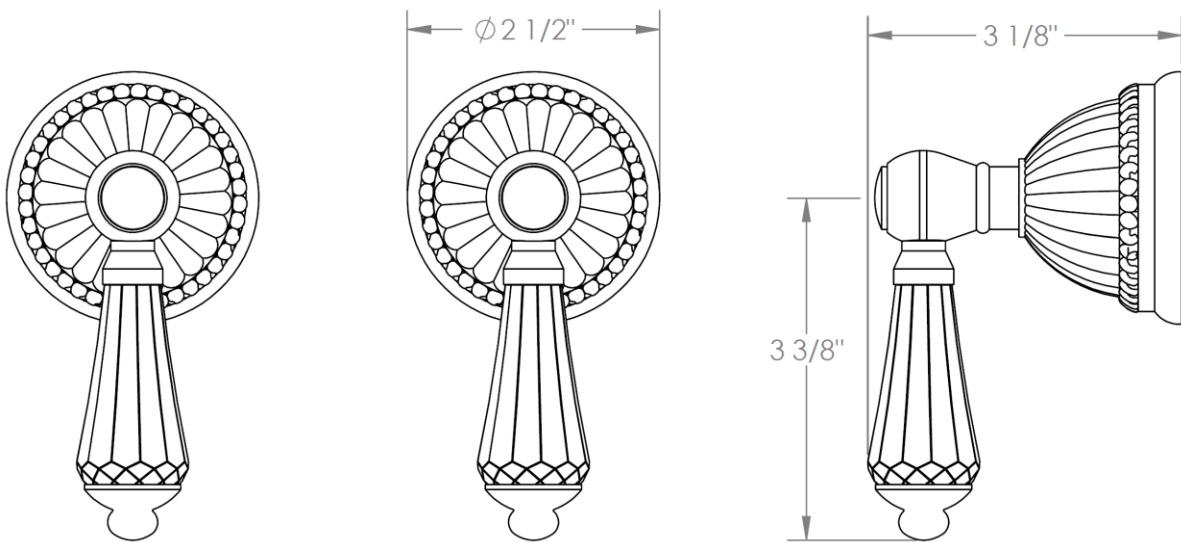


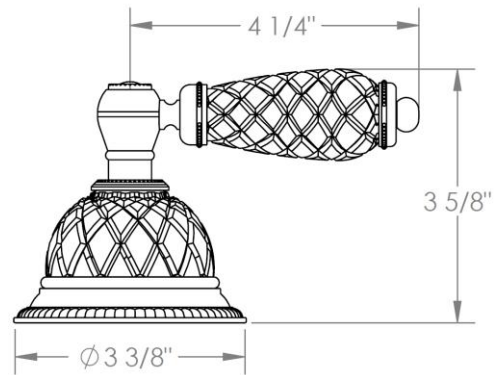
180-WTR2-__

Wall Mounted 2-Valve Shower Trim
Includes Alignment Kit & Extension Kit
For use with SS-506 concealed rough

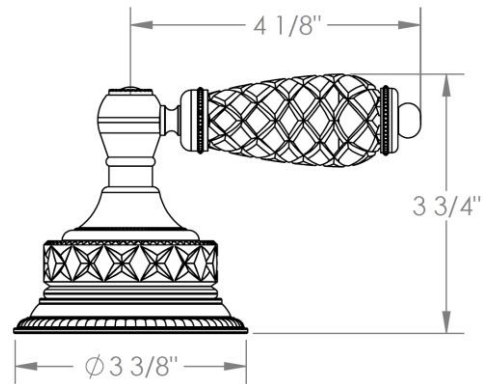


HANDLE TRIM OPTIONS

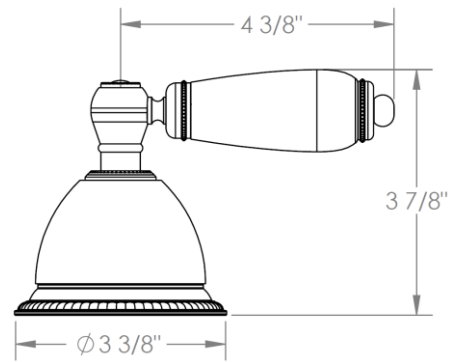
AA - VENICE



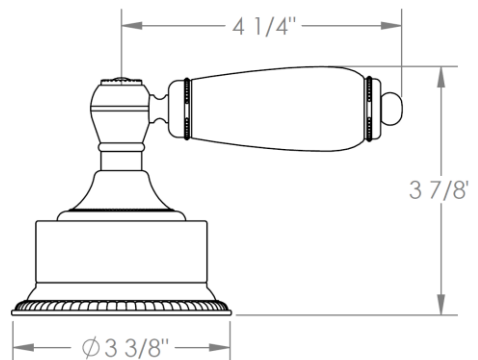
BB - GENOA



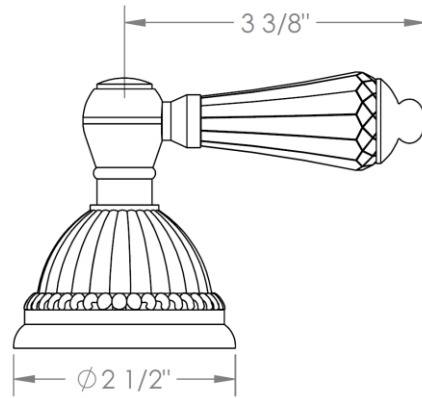
CC - POMPEI



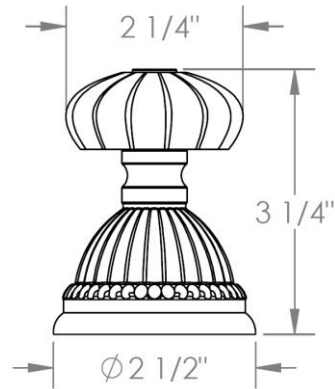
DD - NAPLES



SWU - FLORENCE



T - TUSCANY



U- BOLOGNA

