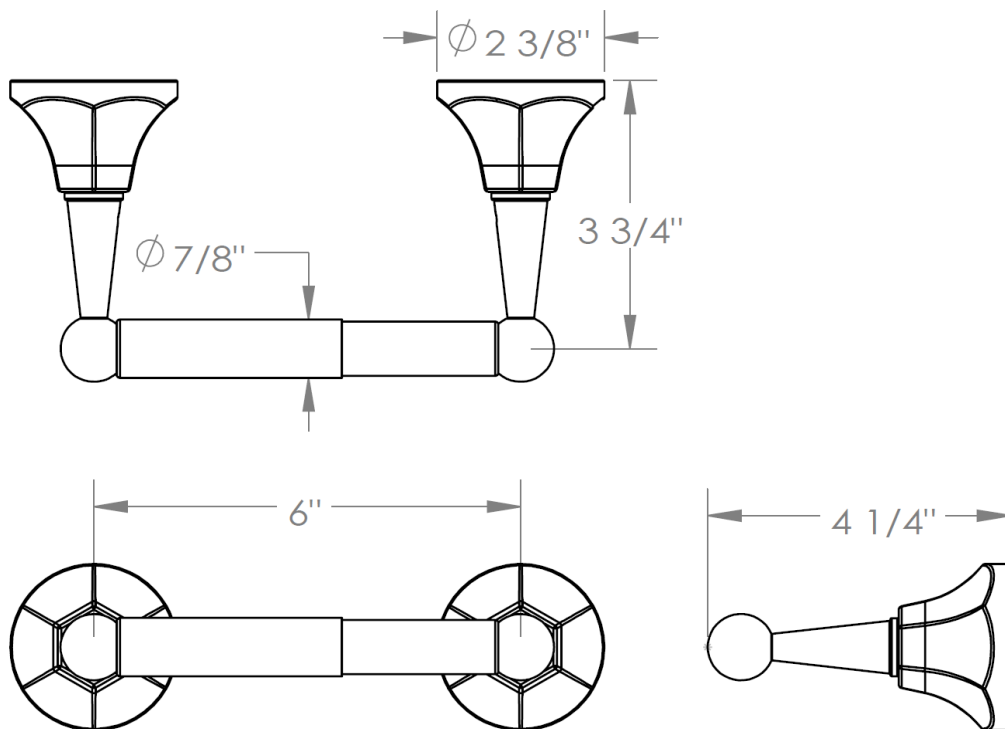


312-0.4

Wall Mounted Double Post Paper Holder



WATERMARK DESIGNS 11/25/2015

350 Dewitt Ave Brooklyn NY 11207 USA T 718 257 2800 F 718 257 2144 info@watermark-designs.com