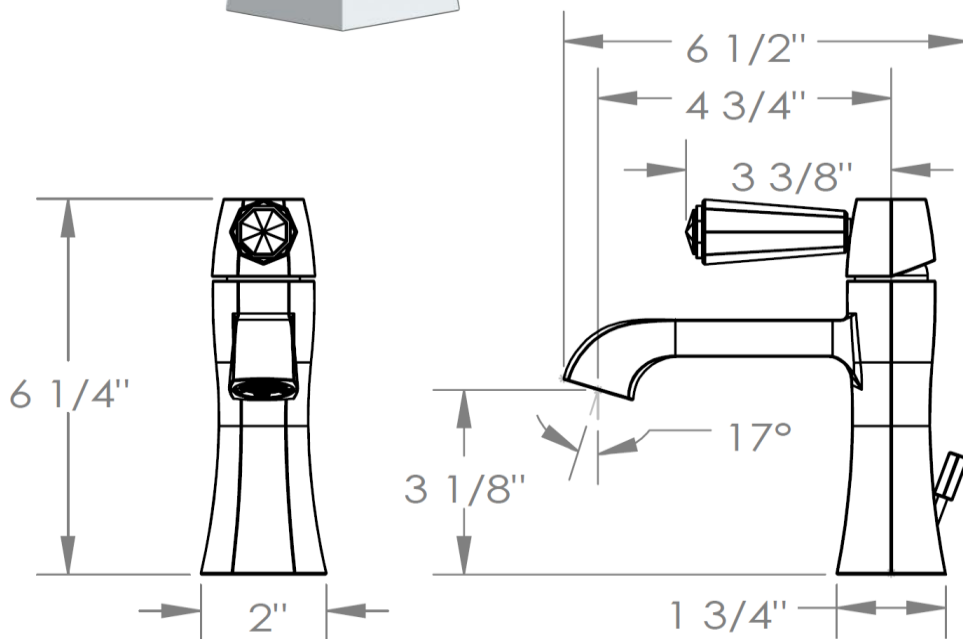


314-1.15-CRY4

Single Hole Faucet

Flow Rate: 1.2 GPM

Includes MPU7 pop-up drain assembly



Meets the applicable requirements of ASME A112.18.1-2005/CSA B125.1-05, entitled "Plumbing Supply Fittings"

WATERMARK DESIGNS 11/2/2016

350 Dewitt Ave Brooklyn NY 11207 USA T 718 257 2800 F 718 257 2144 info@watermark-designs.com