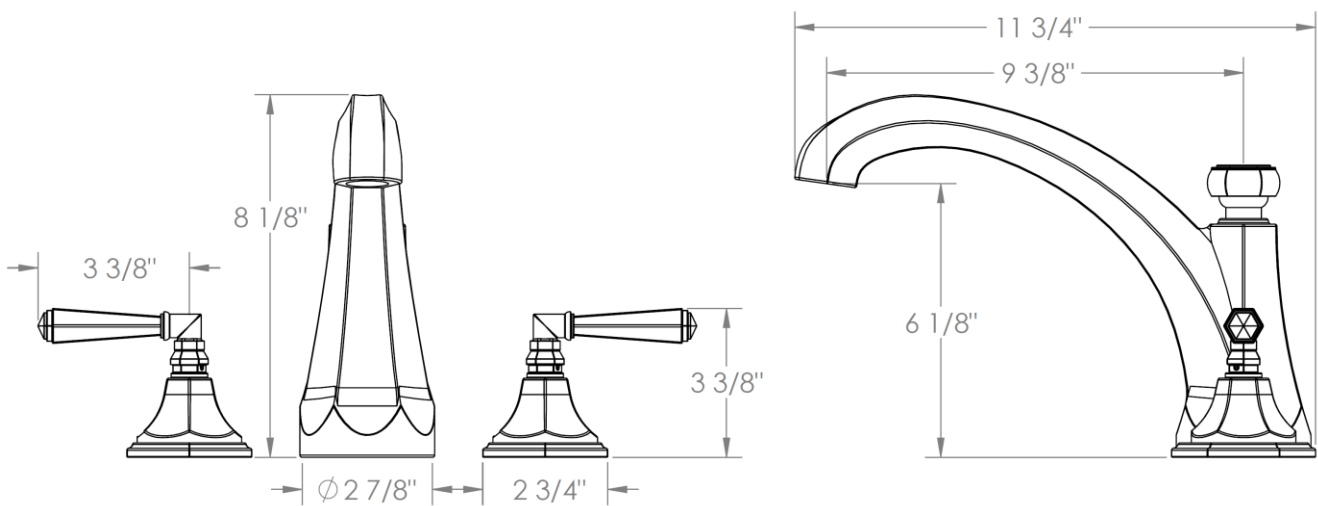


314-8.205-__

Deck Mounted 3 Hole Extended Bath Set

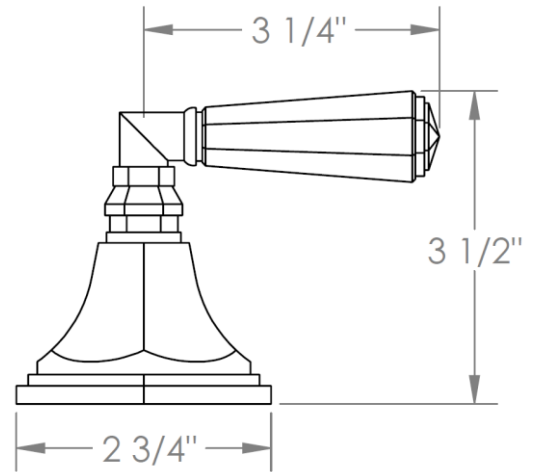
Note: Some building codes require remote pressure balance valves for anti-scald



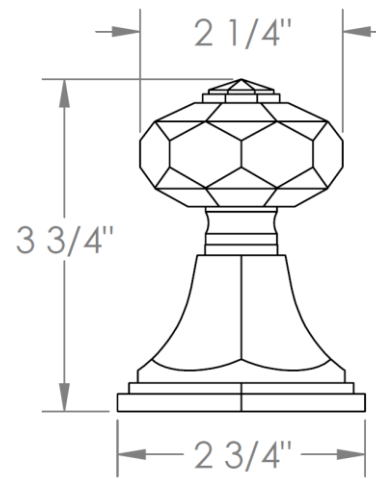
Meets the applicable requirements of ASME A112.18.1-2005/CSA B125.1-05, entitled "Plumbing Supply Fittings"

HANDLE TRIM OPTIONS

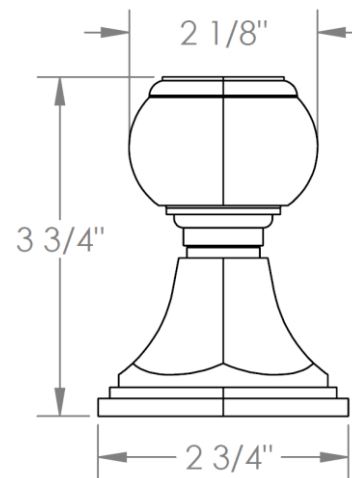
CRY4 – ROOSEVELT



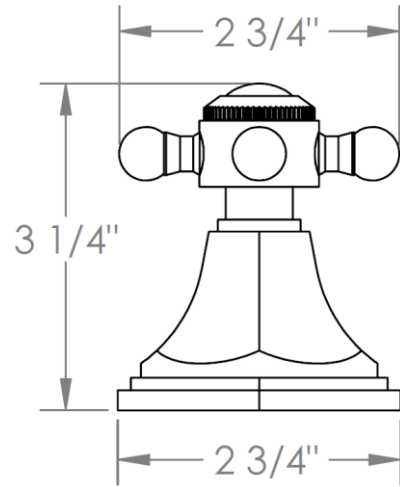
CRY5 – MARMONT



T6 – NEWTON



XX – SHETFIELD



YY – NEWPORT

