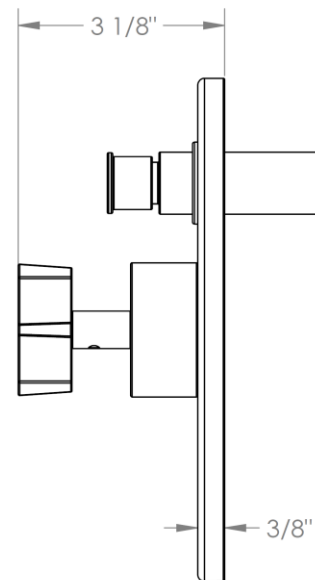
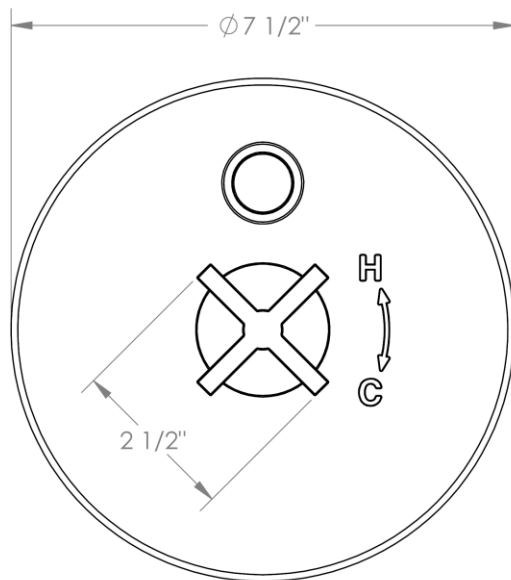


37-P90-BL3

Pressure Balance Shower Trim with Diverter

For use with SS-PB85 pressure balance valve with diverter



Meets the applicable requirements of ASME A112.18.1-2005/CSA B125.1-05, entitled "Plumbing Supply Fittings"

WATERMARK DESIGNS 11/21/2016

350 Dewitt Ave Brooklyn NY 11207 USA T 718 257 2800 F 718 257 2144 info@watermark-designs.com