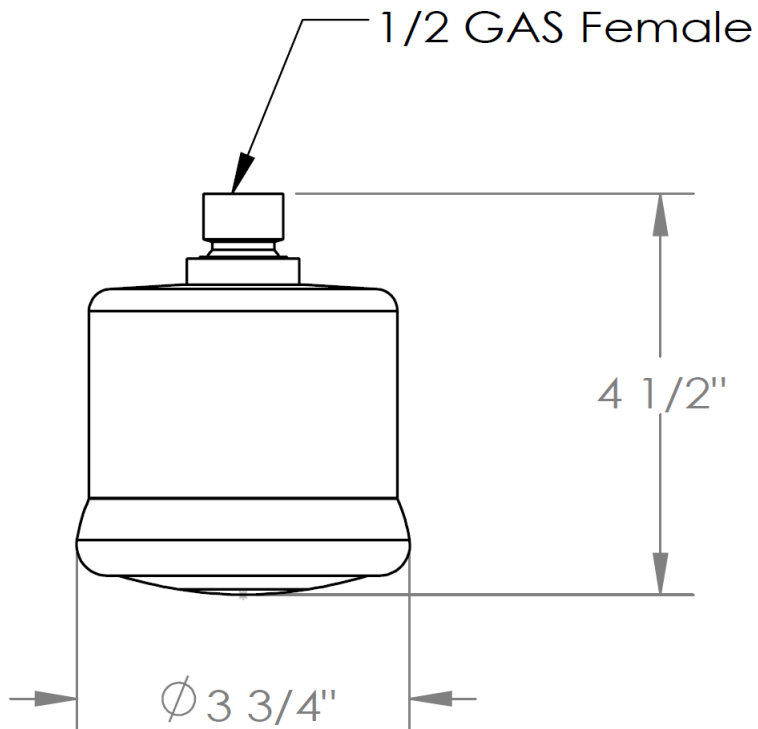


**SH-RMN50**

3 Function Antiscale Shower Head

2.0 GPM @ 80 psi



**WATERMARK DESIGNS 12/29/2014**

350 Dewitt Ave Brooklyn NY 11207 USA T 718 257 2800 F 718 257 2144 info@watermark-designs.com