



Sinks

VC 60T

CUBE COLLECTION

Design Wetstyle Design Lab

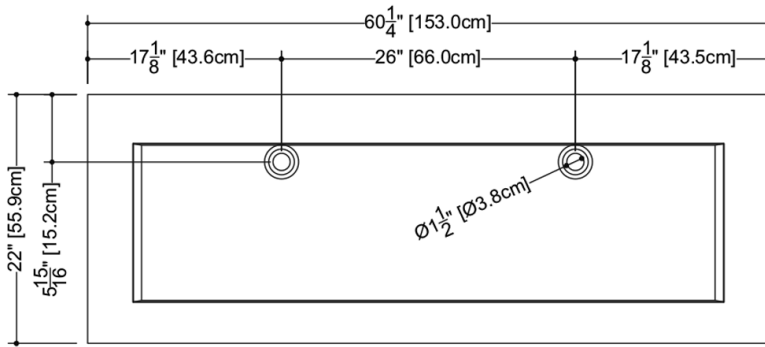


FEATURES

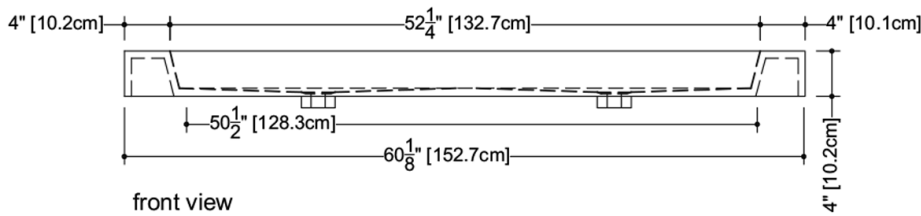
Handcrafted in Montreal, Canada
 Oak bridge wenge shade included
 Installation type: above-counter
 Available with or without overflow
 Overflow trim finish options: polished chrome, brushed nickel, matte black, satin brass or no metallic trim
 Faucet hole options: 1 hole (for mono faucet), 3 holes (for widespread faucet) or no hole (for wall-mounted faucet)

TECHNICAL DETAILS

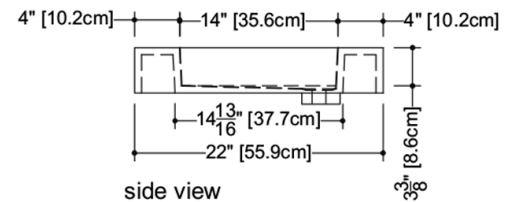
- **Width:** 22"
- **Length:** 60.25"
- **Height:** 4"
- **Weight:** 62 lbs / 28 kg



plan view



front view



side view

VC 60T

WETSTYLE cannot be held responsible for any technical errors and reserves the right to make revisions without notice. Approximate measurement. The manufacturer accepts 1/4" (6.35mm) variance.

OPTIONS

Model

- VC60T

Overflow

- No Overflow
- With Overflow - Brushed Nickel (#BN)
- With Overflow - Matte Black (#MB)
- With Overflow - No Trim (#NT)
- With Overflow - Polished Chrome (#PC)
- With Overflow - Satin Brass (#SB)

WETMAR BiO Finish

- White Matte (#MA)
- White True High Gloss (#GA)

Faucet Hole Drilling

- No Faucet Hole
- One Hole per Drain for Mono Faucets (#1)
- Three Holes per Drain for Widespread Faucets (#8)

CODES/STANDARDS APPLICABLES

IAPMO-ANSI Z124.1

IAPMO-ANSI Z124.3

CSA B 45.0

CSA B 45.4

Mass Board Approved

NOTES

WOOD BRIDGE: Oak bridge wenge shade; other shades can be ordered at an additional cost.