

LACAVA

CIGNO Floor-standing single-hole tub filler 1595S

Specifications:

Installation:	Floor standing 1-hole, single lever
Exterior Dimensions:	H: 41 1/4" SPOUT: 8 1/2"
Material:	Solid brass construction
Water use:	4.35 GPM (43.5 PSI)
Finishes:	CR - polished chrome PN - polished nickel NI - brushed nickel BG - brushed gold 44 - matte black
Weight:	9 lbs
Accessories included:	30 1/2" flexible hot/cold water supply lines with 3/8" compression - 1/2" F SWT connectors

Features:

- 90° rotating two-way diverter and hand-held shower head with 59" flexible hose
- Brass construction with single ceramic disc cartridge
- Complements the Cigno Collection

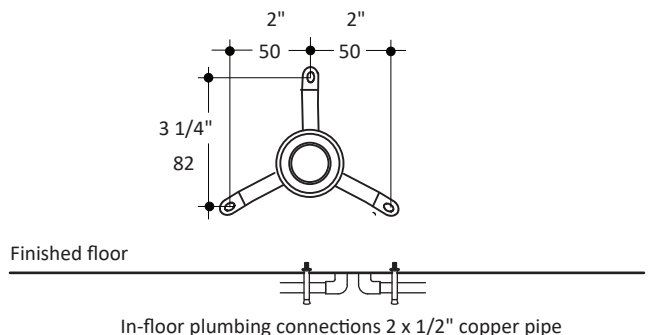
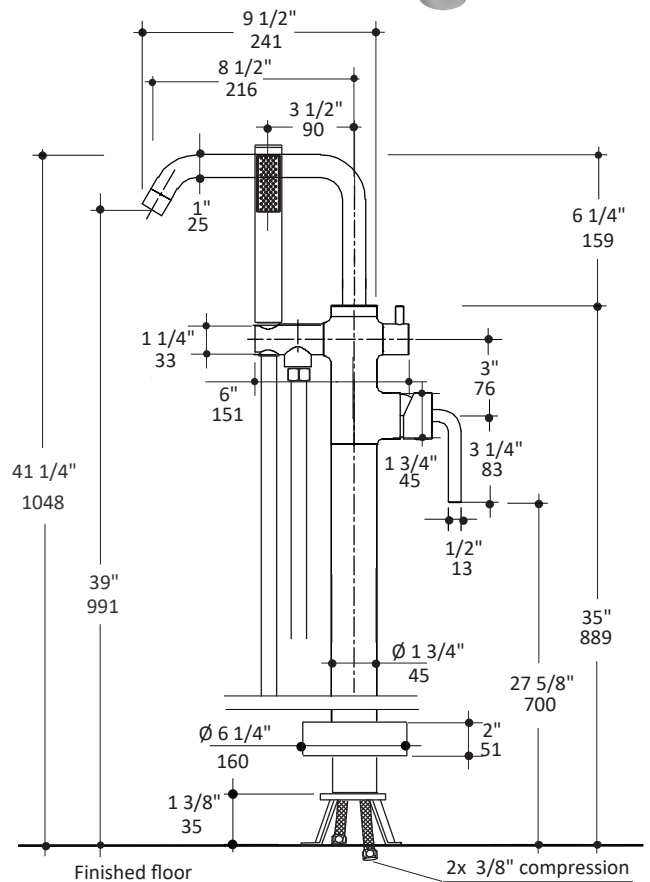
Codes + Standards:

- Meets and exceeds applicable national codes and standards
- CAL-Green compliant

ADA compliant when installed to specific requirements of this regulation

Recommended Items:

- Replacement parts:
 - R1595S-ceramic disc cartridge
 - A00045-59" flexible shower hose
 - 1560 - Hand-held shower head
 - 1595S-D - Replacement diverter kit
 - 1595S-AER - Replacement aerator



LACAVA reserves the right to revise any dimension or information on this sheet without notice. Dimensions are nominal and may vary within an industry accepted tolerance of 1/4\"/>

Revised: 12/2/2020